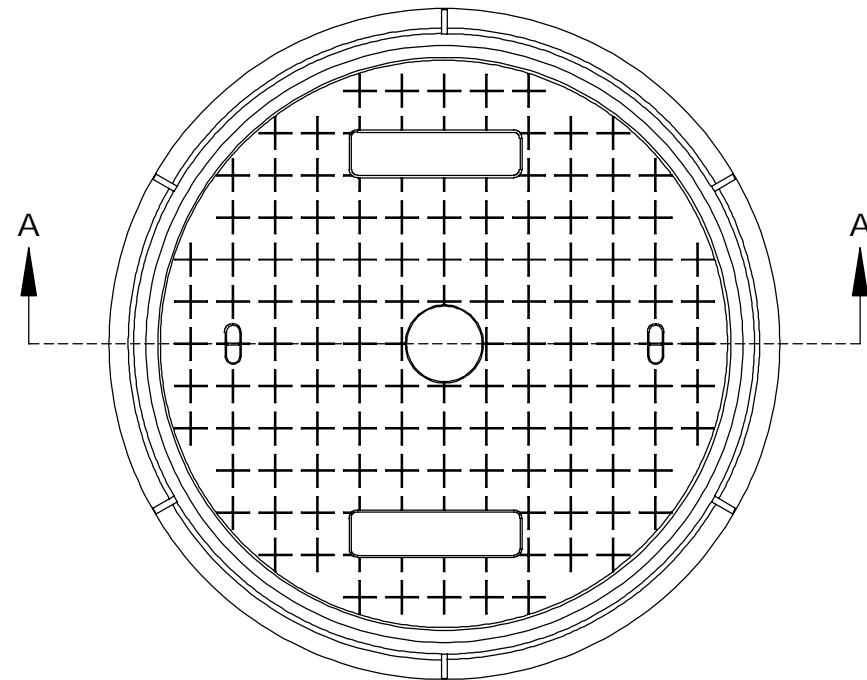
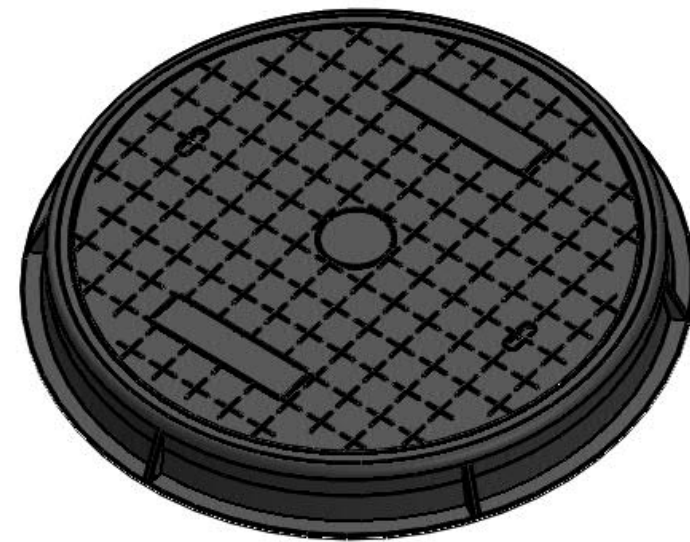


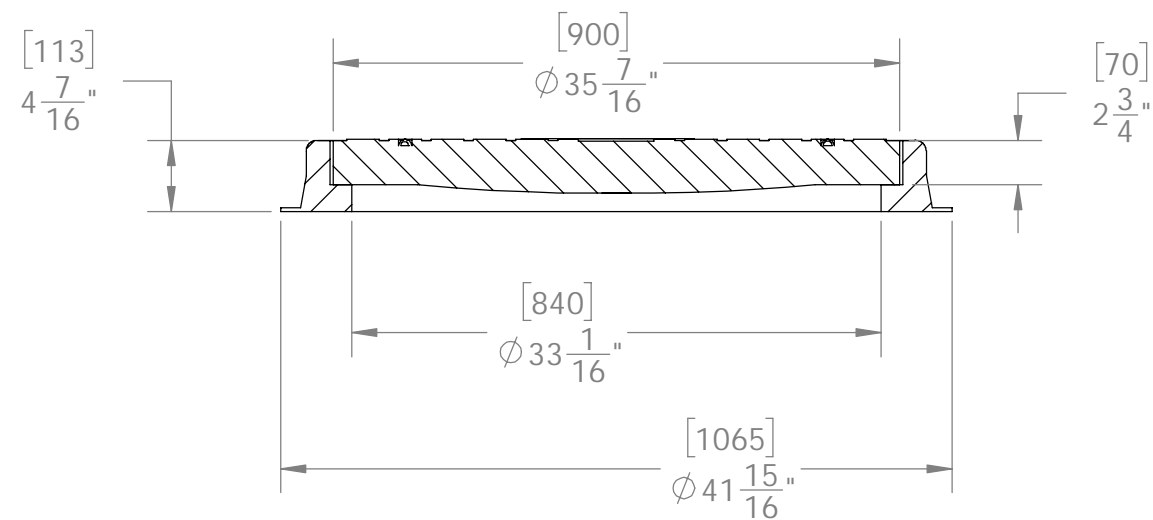
PRODUCT CODE	LOAD RATING	COVER SIZE (In.)	CLEAR OPENING (In.)	OVER FRAME SIZE (In.)	COVER THICKNESS (In.)	FRAME HEIGHT (In.)	WEIGHT (lbs)
VPC-4000	D400	35.43	33.07	41.93	2.76	4.45	212.1



PLAN VIEW



ISOMETRIC VIEW



SECTION A-A

PROPRIETARY AND CONFIDENTIAL
 THE INFORMATION CONTAINED IN THIS DRAWING IS THE SOLE PROPERTY OF VIRTUAL POLYMER COMPOUNDS, LLC. ANY REPRODUCTION IN PART OR AS A WHOLE WITHOUT THE WRITTEN PERMISSION OF VIRTUAL POLYMER COMPOUNDS, LLC IS PROHIBITED.

UNLESS OTHERWISE SPECIFIED:

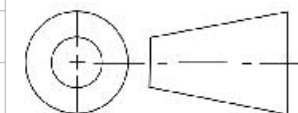
DIMENSIONS ARE IN INCHES
 TOLERANCES:
 FRACTIONAL ±
 ANGULAR: MACH ± BEND ±
 TWO PLACE DECIMAL ±
 THREE PLACE DECIMAL ±

INTERPRET GEOMETRIC TOLERANCING PER:

MATERIAL FRP FINISH

DO NOT SCALE DRAWING

	NAME	DATE
DRAWN	LVR	2/12/2021
CHECKED		
ENG APPR.		
MFG APPR.		
Q.A.		



3rd ANGLE PROJECTION

VPC FIBERGLASS 10478 Ridge Rd., Medina NY 14103
 Toll Free: 888-290-9522 Phone: 585-735-9668

TITLE: VPC - 4000

Project: FRP MANHOLE COVER

SIZE	DWG. NO.	REV
B		A

SCALE: 1:12 Weight 212.1 SHEET 1 OF 1