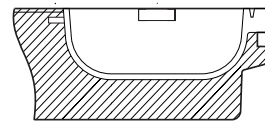
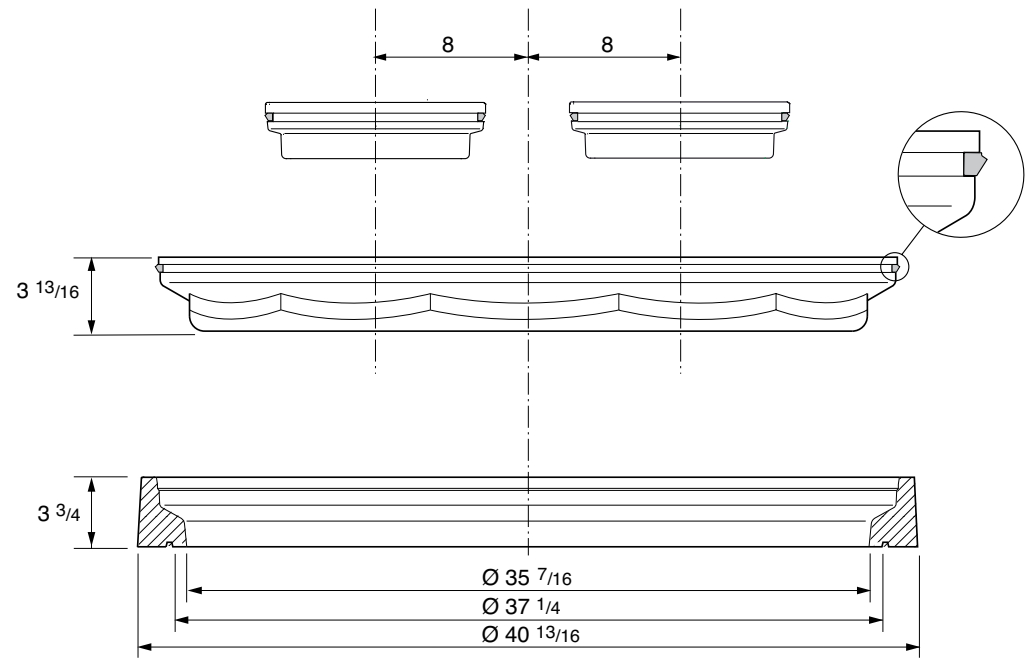
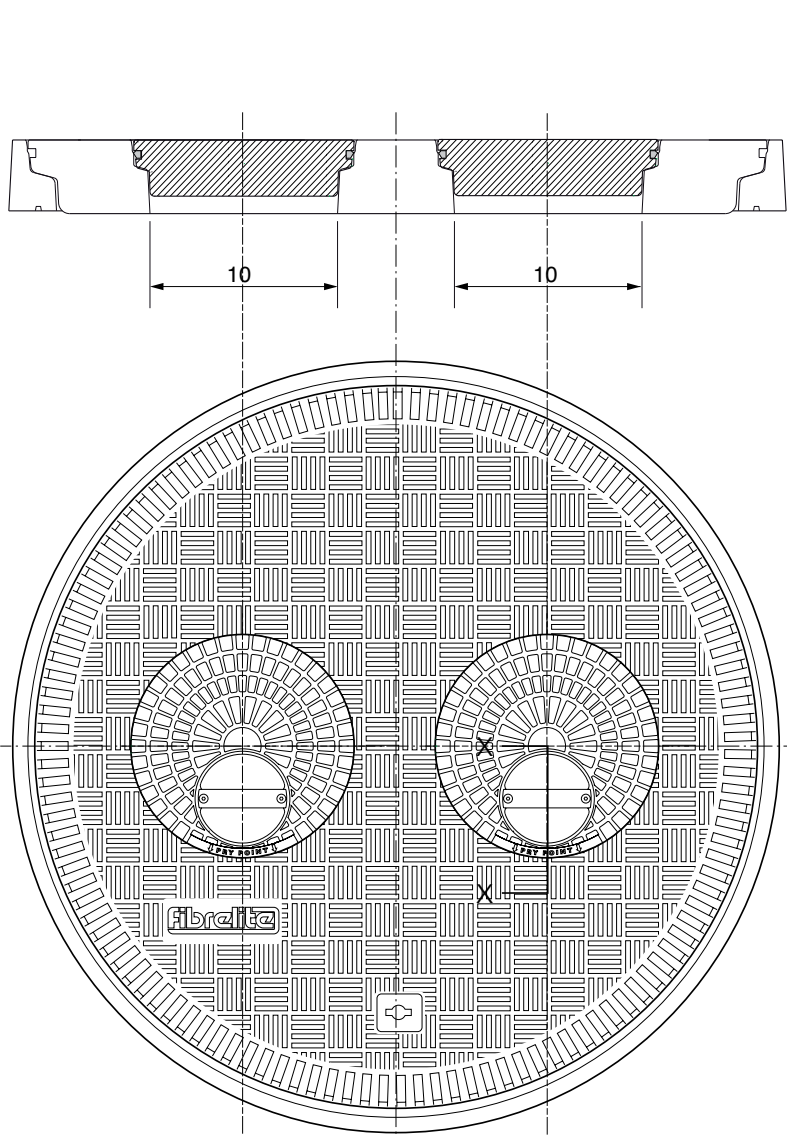


36"dia. watertight flat sealed multi-port composite cover and frame with 2 removable colored sealed caps (12"dia.).

For reference purposes only. This drawing is not a specification. Order against product code only. To enable continuous improvement of our products, the designs and specifications are subject to change without notice.





SECTION X - X
HANDLE BOWL

Load Rating	Cover Weight	Frame Weight	Port Cover
C250	39 lbs	20 lbs	7 lbs

36" dia. watertight flat sealed multi-port composite cover and frame with 2 removable colored sealed caps (12" dia.).

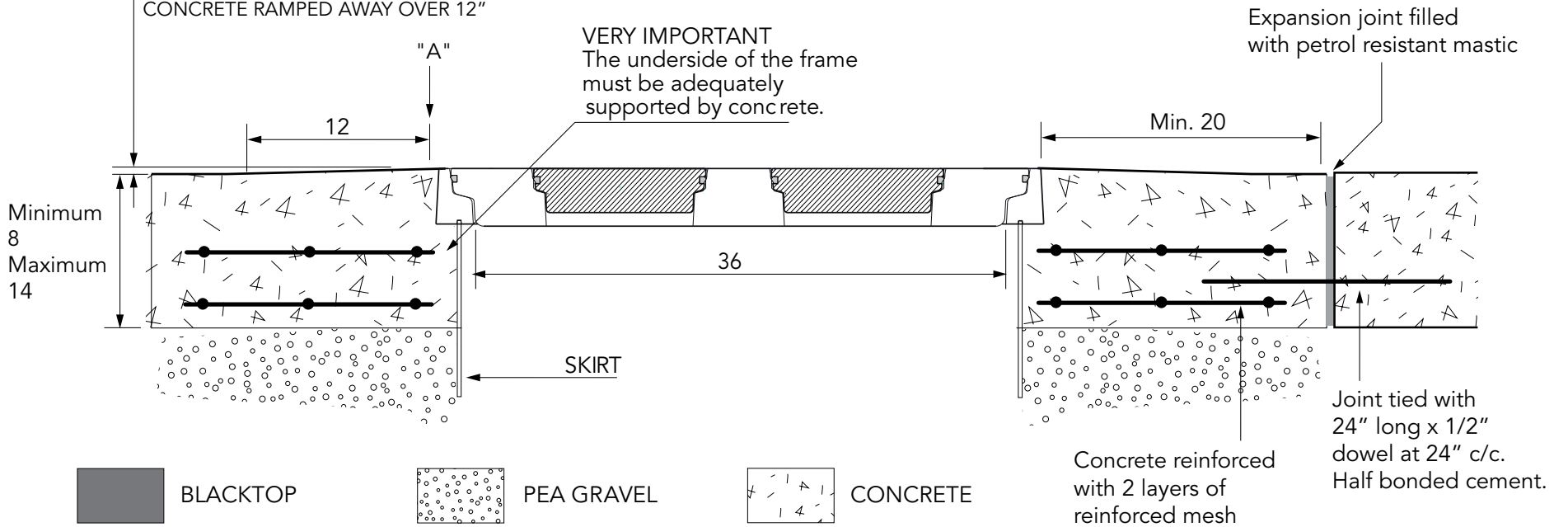
For reference purposes only. This drawing is not a specification. Order against product code only. To enable continuous improvement of our products, the designs and specifications are subject to change without notice.

FIBRELITE 
PART OF OPW A DDOVER COMPANY

CONCRETE

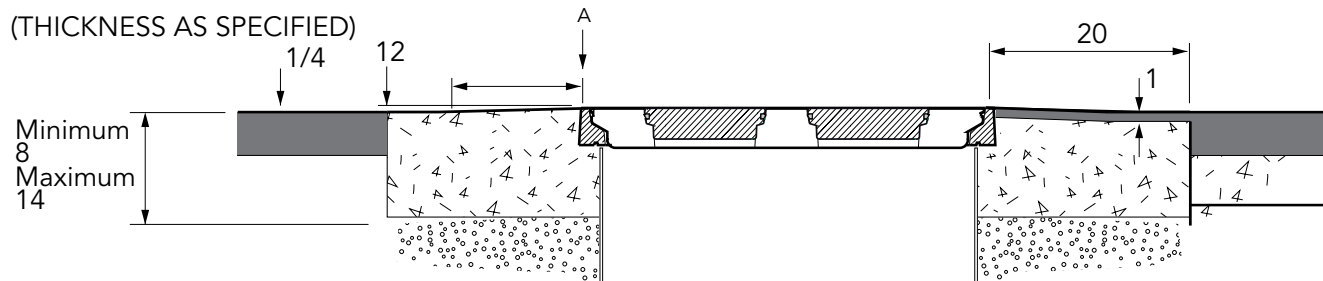
VERY IMPORTANT

OUTER EDGE "A" OF FRAME SET 1/4" - 1/2" ABOVE GENERAL FORECOURT AREA WITH CONCRETE RAMPED AWAY OVER 12"



BLACKTOP

(THICKNESS AS SPECIFIED)



36" dia. watertight flat sealed multi-port composite cover and frame with 2 removable colored sealed caps (12" dia.).

For reference purposes only. This drawing is not a specification. Order against product code only. To enable continuous improvement of our products, the designs and specifications are subject to change without notice.

