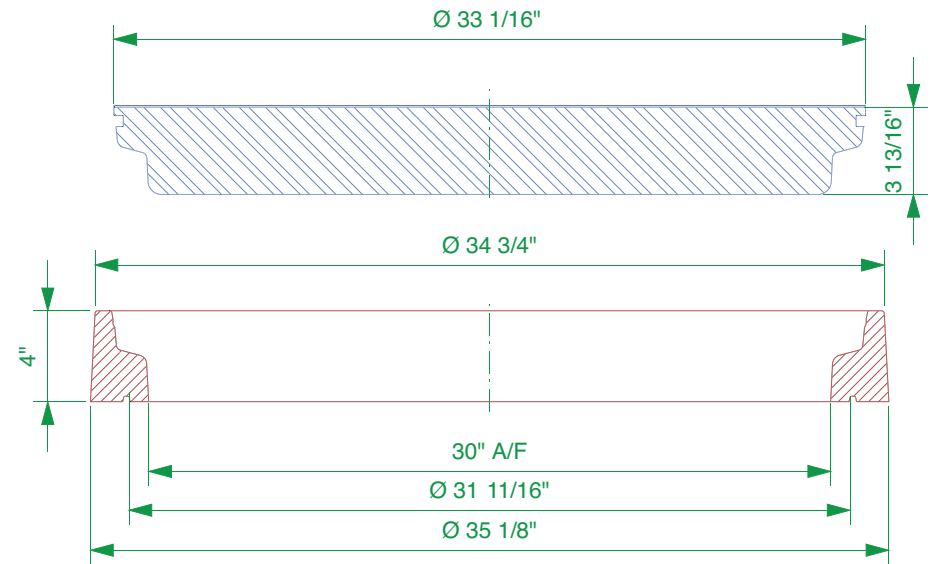
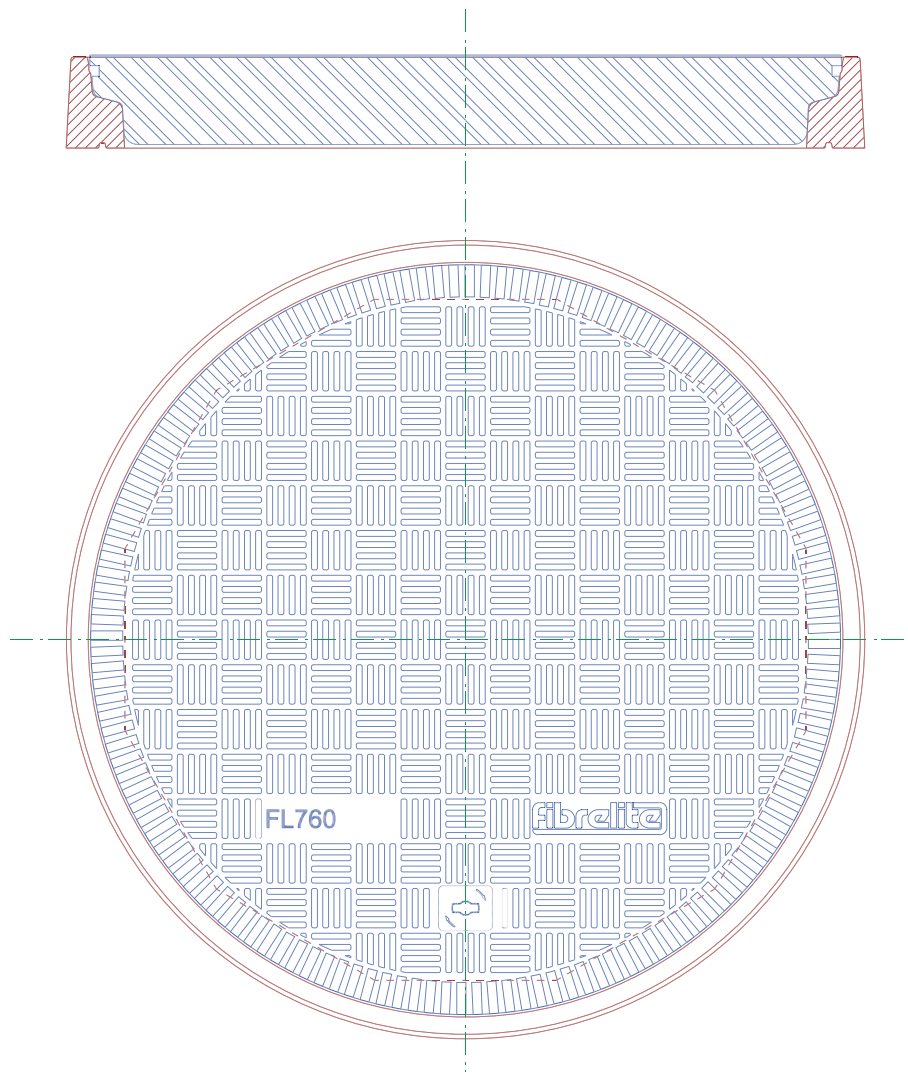


30" diameter flat sealed composite cover and frame.

For reference purposes only. This drawing is not a specification. Order against product code only. To enable continuous improvement of our products, the designs and specifications are subject to change without notice.

FIBRELITE 
PART OF OPW A  DOVER COMPANY



Load Rating	Cover Weight	Frame Weight
LD	--	18 lbs
SD	60 lbs	18 lbs
HD	79 lbs	18 lbs

30" diameter flat sealed composite cover and frame.

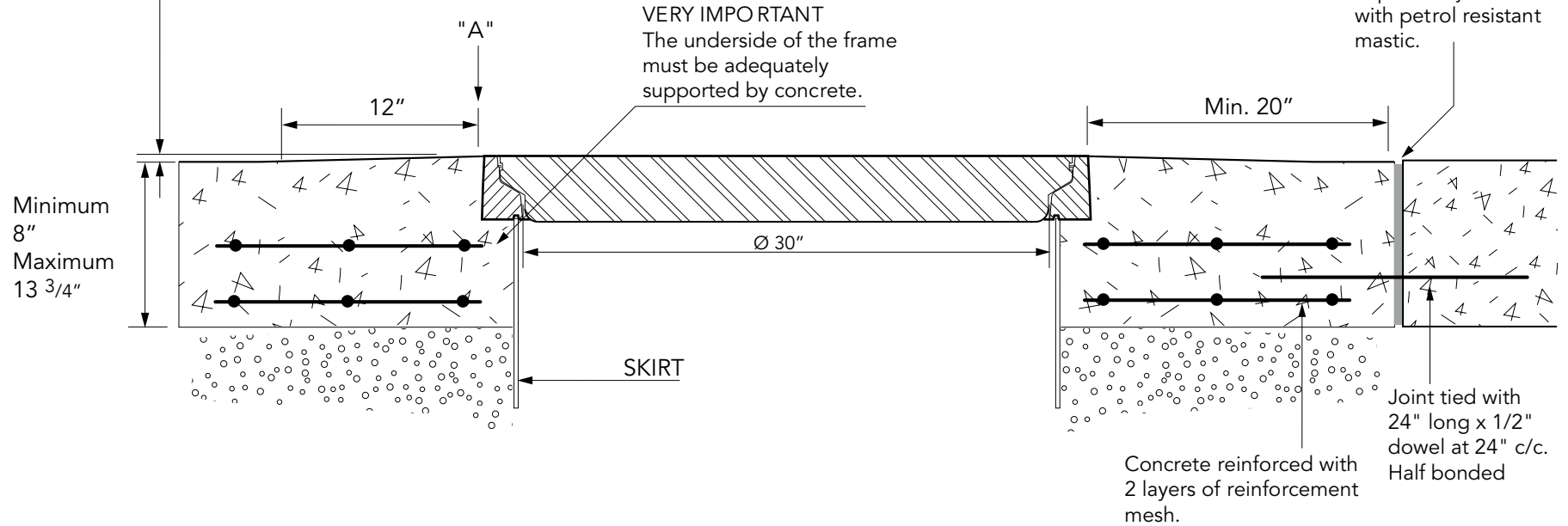
For reference purposes only. This drawing is not a specification. Order against product code only. To enable continuous improvement of our products, the designs and specifications are subject to change without notice.

FIBRELITE 
PART OF OPW A DOVER COMPANY

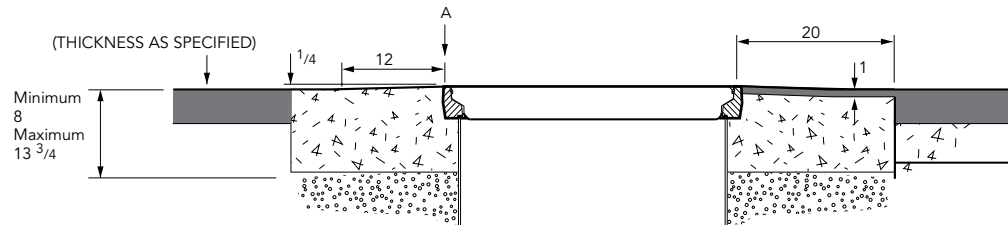
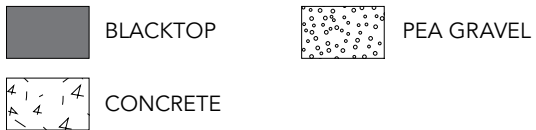
CONCRETE

VERY IMPORTANT

OUTER EDGE "A" OF FRAME SET 1/4" - 1/2" ABOVE GENERAL GRADE AREA WITH CONCRETE RAMPED AWAY OVER 12".



BLACKTOP



30" diameter flat sealed composite cover and frame.

For reference purposes only. This drawing is not a specification. Order against product code only. To enable continuous improvement of our products, the designs and specifications are subject to change without notice.

