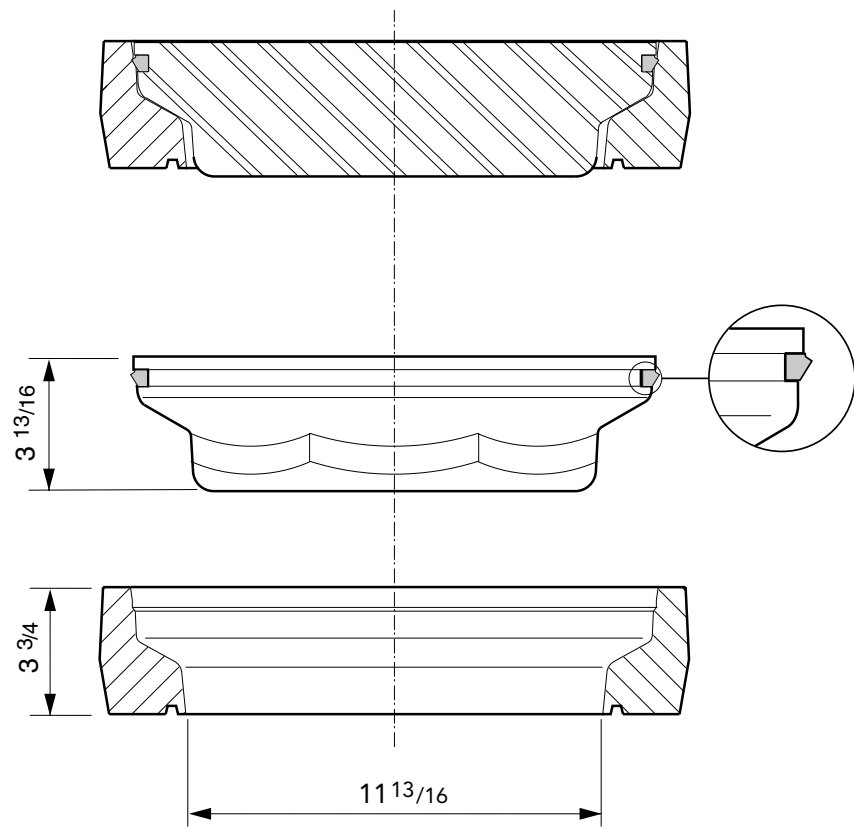
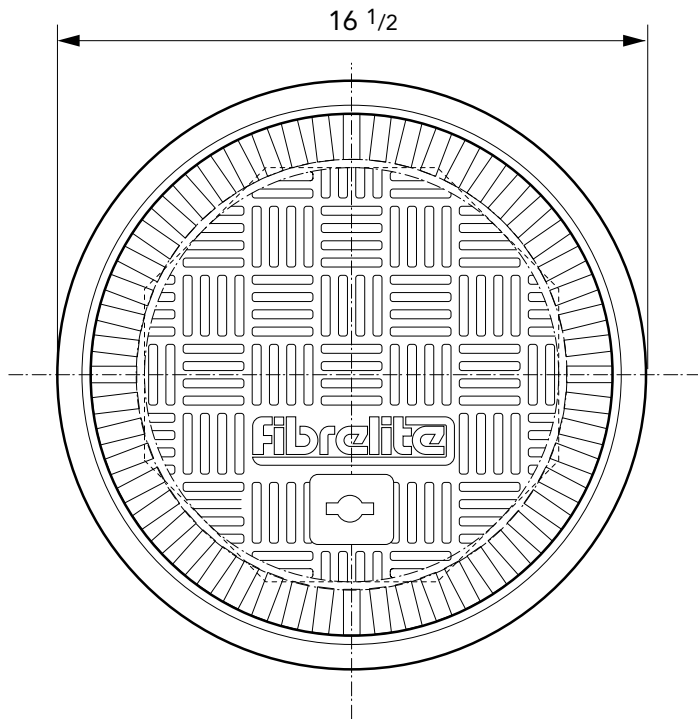


12" diameter flat sealed composite cover with a composite frame.

For reference purposes only. This drawing is not a specification. Order against product code only. To enable continuous improvement of our products, the designs and specifications are subject to change without notice.

FIBRELITE 
PART OF OPW A  DOVER COMPANY



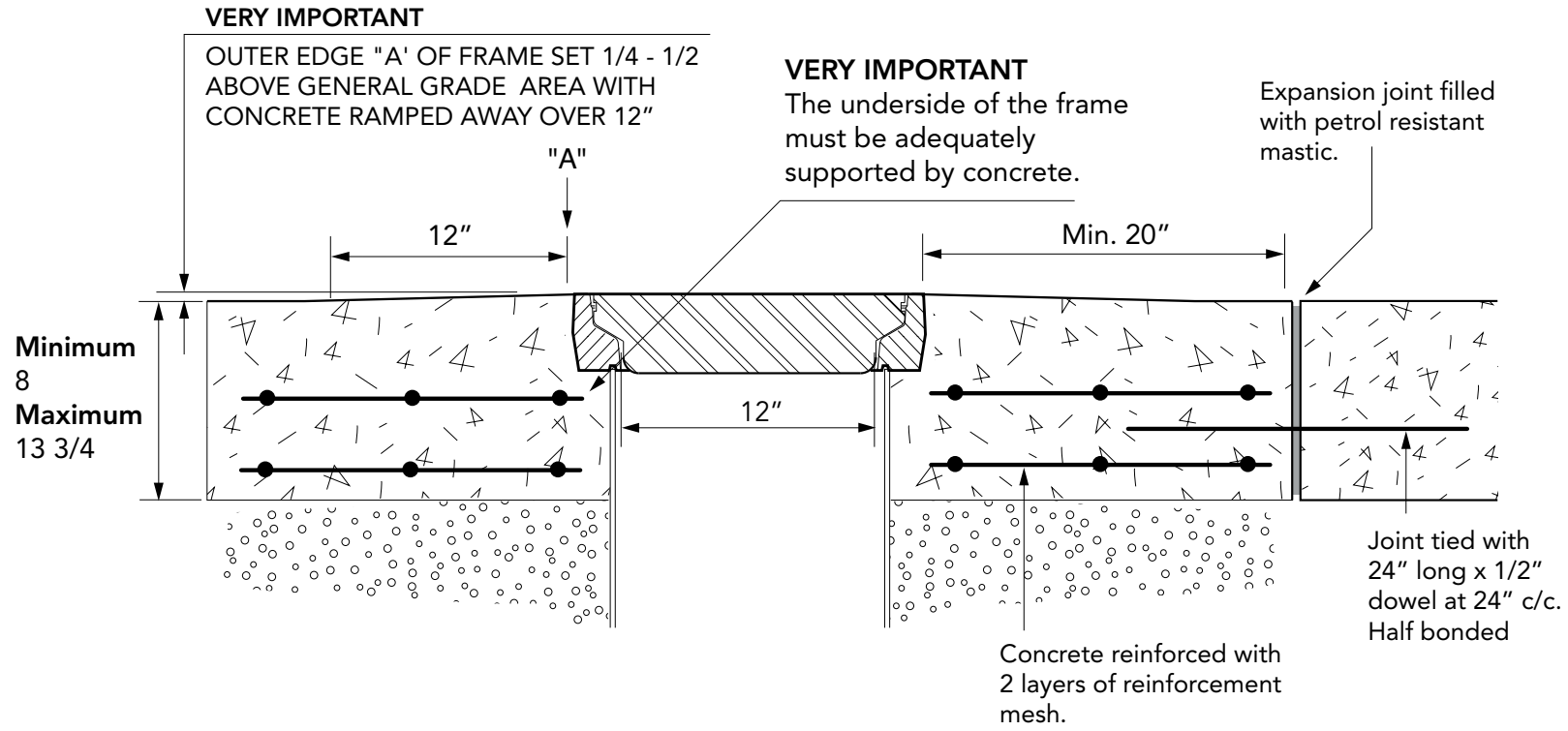
Load Rating	Cover Weight	Frame Weight
89,000lbs	13lbs	8lbs

12" diameter flat sealed composite cover with a composite frame.

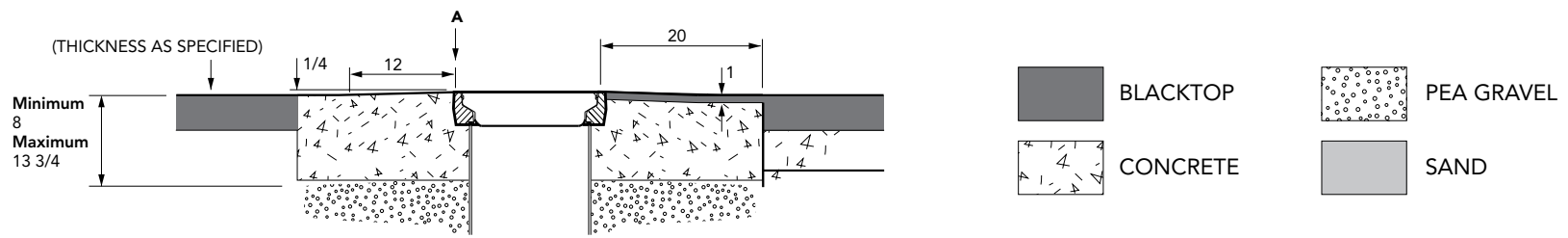
For reference purposes only. This drawing is not a specification. Order against product code only. To enable continuous improvement of our products, the designs and specifications are subject to change without notice.



CONCRETE



BLACKTOP



12" diameter flat sealed composite cover with a composite frame.

For reference purposes only. This drawing is not a specification. Order against product code only. To enable continuous improvement of our products, the designs and specifications are subject to change without notice.

