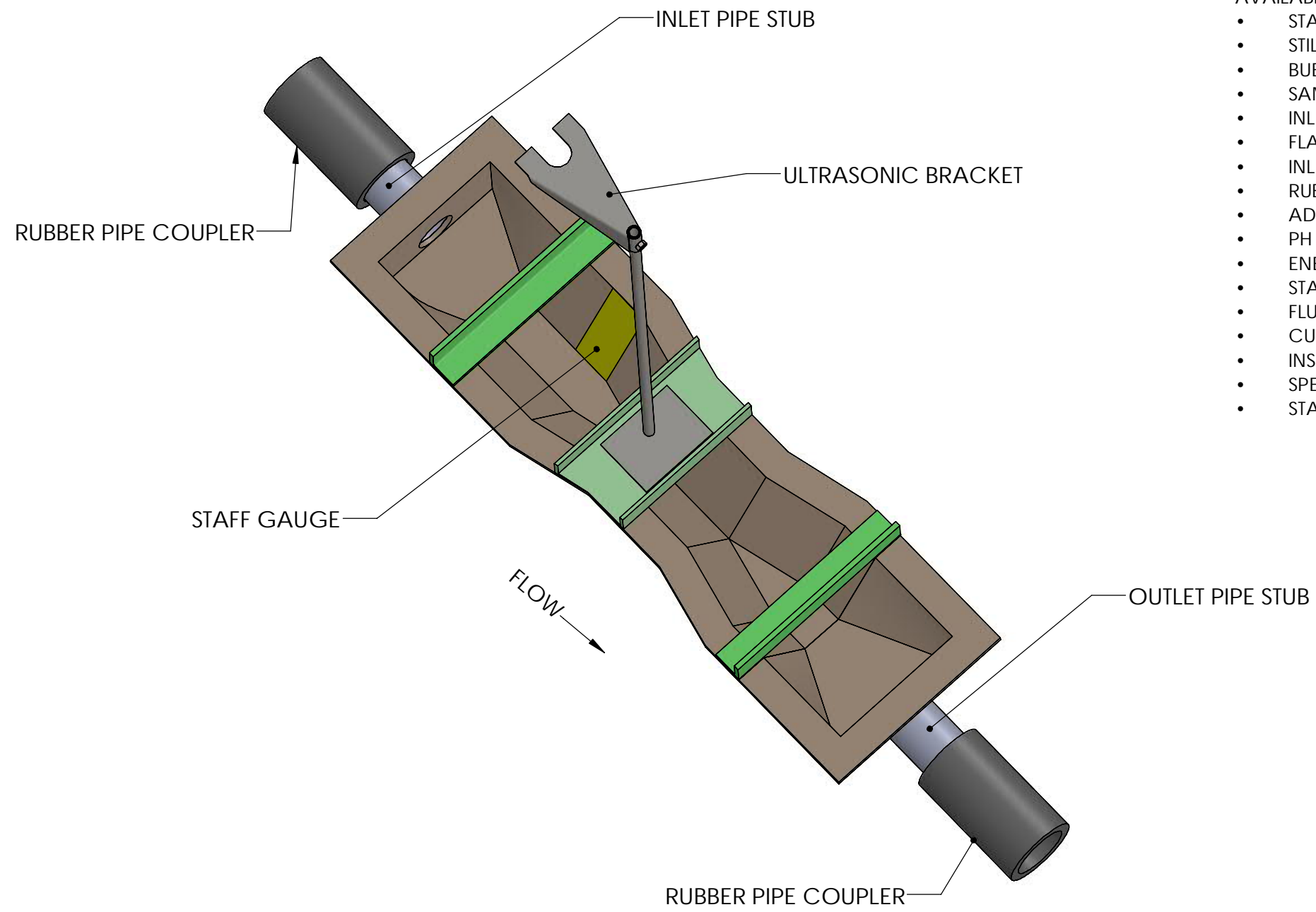


8 7 6 5 4 3 2 1


D  
C  
B  
A

D  
C  
B  
A



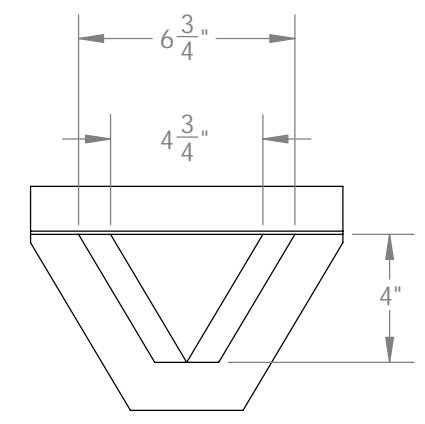
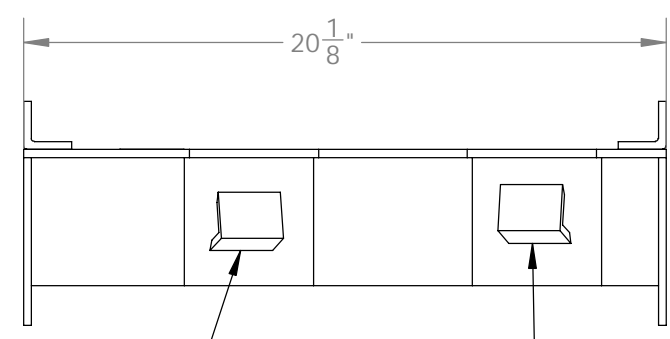
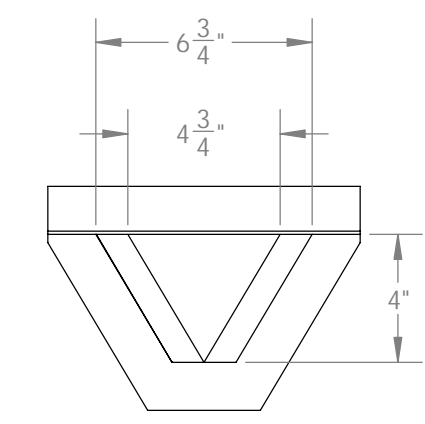
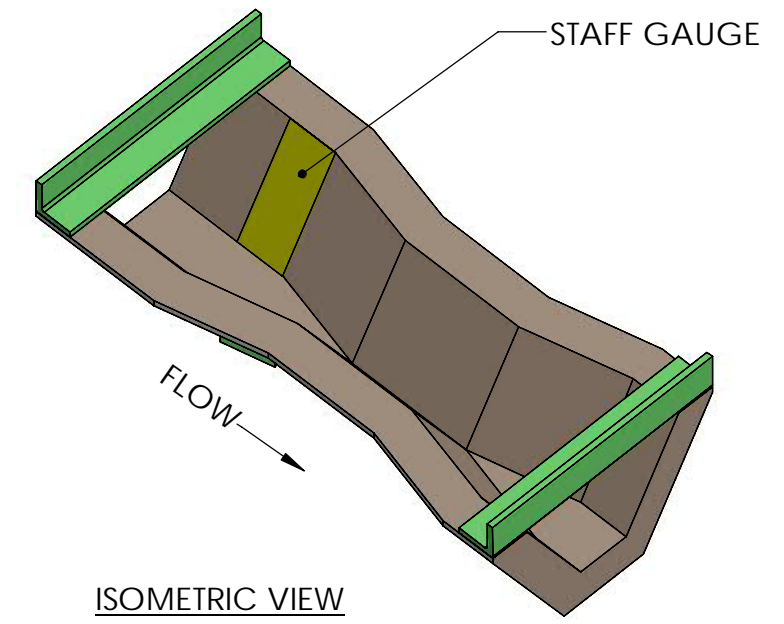
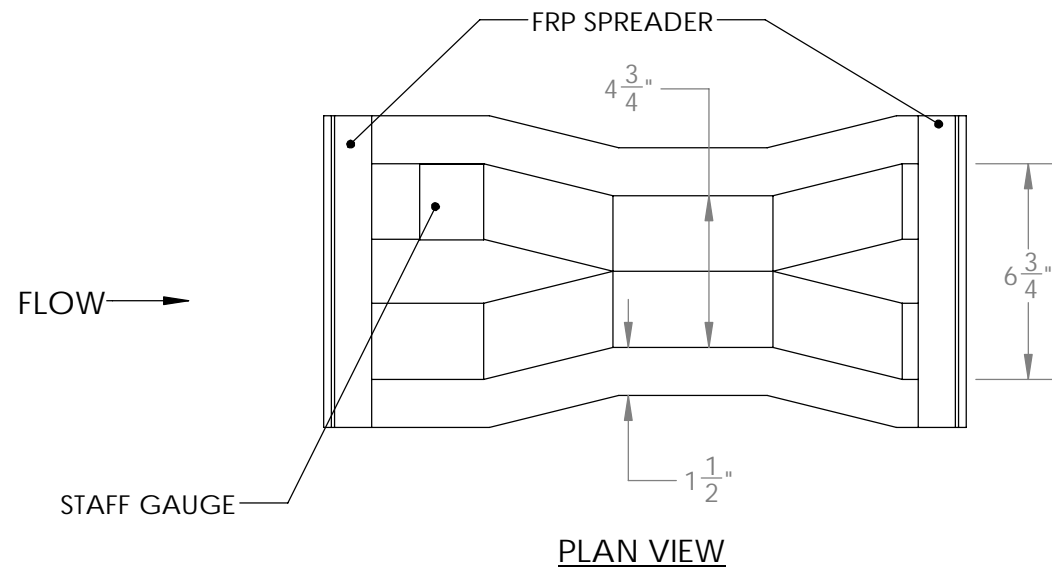
AVAILABLE OPTIONS:

- STAFF GAUGE (ENGLISH OR METRIC).
- STILLING WELL (INTEGRAL OR REMOTE).
- BUBBLER TUBE (SS 1/4" ID, INTEGRAL OR REMOVABLE).
- SAMPLER TUBE (SS 3/8" ID, INTEGRAL OR REMOVABLE).
- INLET AND OUTLET PIPE STUBS.
- FLARED INLET AND OUTLET TRANSITIONS PIPE STUBS.
- INLET AND OUTLET BULKHEADS.
- RUBBER PIPE COUPLERS W/ SS CLAMP BANDS.
- ADJUSTABLE SS ULTRASONIC BRACKET.
- PH PROBE CAVITY.
- ENERGY ABSORBING RACKS. (FIXED OR REMOVABLE).
- STANDARD OR SPECIAL DEPTHS (INCLUDING SURGE BOXES).
- FLUME COVERS (GRATING, FIBER SHEETING, CLEAR POLYCARBONATE).
- CUT BACK DESIGN.
- INSERT DESIGN.
- SPECIAL DESIGN (TO MEET SPECIAL PROJECT NEEDS).
- STANDARD COLOR IS BEIGE (CUSTOM COLORS AVAILABLE).

UNLESS OTHERWISE SPECIFIED:		NAME	DATE	 <b>VPC</b> FIBERGLASS 10478 Ridge Rd., Medina NY 14103 Toll Free: 888-290-9522 Phone: 585-735-9668	
DIMENSIONS ARE IN INCHES TOLERANCES: FRACTIONAL ± ANGULAR: MACH ± BEND ± TWO PLACE DECIMAL ± THREE PLACE DECIMAL ±		DRAWN	LVR		12/3/2020
INTERPRET GEOMETRIC TOLERANCING PER:		CHECKED			TITLE: SMALL TRAPEZOIDAL FLUME
MATERIAL Material <not specified> FINISH		ENG APPR.			Project: WITH OPTIONS
DO NOT SCALE DRAWING		MFG APPR.			SIZE DWG. NO. REV <b>B</b>
3rd ANGLE PROJECTION		Q.A.			SCALE: 1:6 Weight 12.66 SHEET 1 OF 5

PROPRIETARY AND CONFIDENTIAL  
 THE INFORMATION CONTAINED IN THIS DRAWING IS THE SOLE PROPERTY OF VIRTUAL POLYMER COMPOUNDS, LLC. ANY REPRODUCTION IN PART OR AS A WHOLE WITHOUT THE WRITTEN PERMISSION OF VIRTUAL POLYMER COMPOUNDS, LLC IS PROHIBITED.

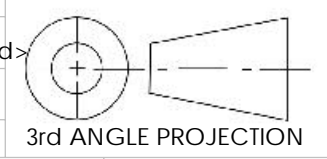
8 7 6 5 4 3 2 1



- NOTES:
- 1) INTERIOR GEL COAT COLOR TO BE BEIGE.
  - 2) EXTERIOR GEL COAT COLOR TO BE WHITE.
  - 3) NOMINAL MATERIAL THICKNESS = 1/4".

PROPRIETARY AND CONFIDENTIAL  
THE INFORMATION CONTAINED IN THIS DRAWING IS THE SOLE PROPERTY OF VIRTUAL POLYMER COMPOUNDS, LLC. ANY REPRODUCTION IN PART OR AS A WHOLE WITHOUT THE WRITTEN PERMISSION OF VIRTUAL POLYMER COMPOUNDS, LLC IS PROHIBITED.

UNLESS OTHERWISE SPECIFIED:		NAME	DATE
DIMENSIONS ARE IN INCHES	DRAWN	LVR	12/3/2020
TOLERANCES:	CHECKED		
FRACTIONAL ±	ENG APPR.		
ANGULAR: MACH ± BEND ±	MFG APPR.		
TWO PLACE DECIMAL ±	Q.A.		
THREE PLACE DECIMAL ±			
INTERPRET GEOMETRIC TOLERANCING PER:			
MATERIAL			
Material <not specified>			
FINISH			
DO NOT SCALE DRAWING			

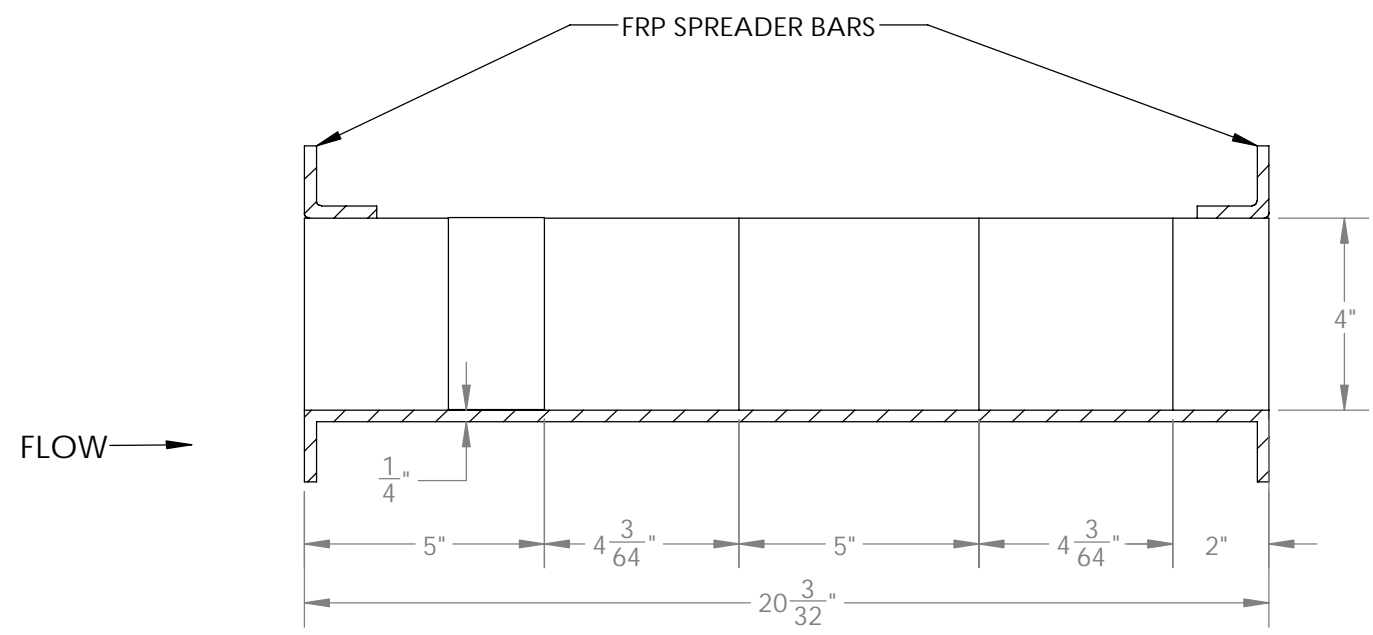
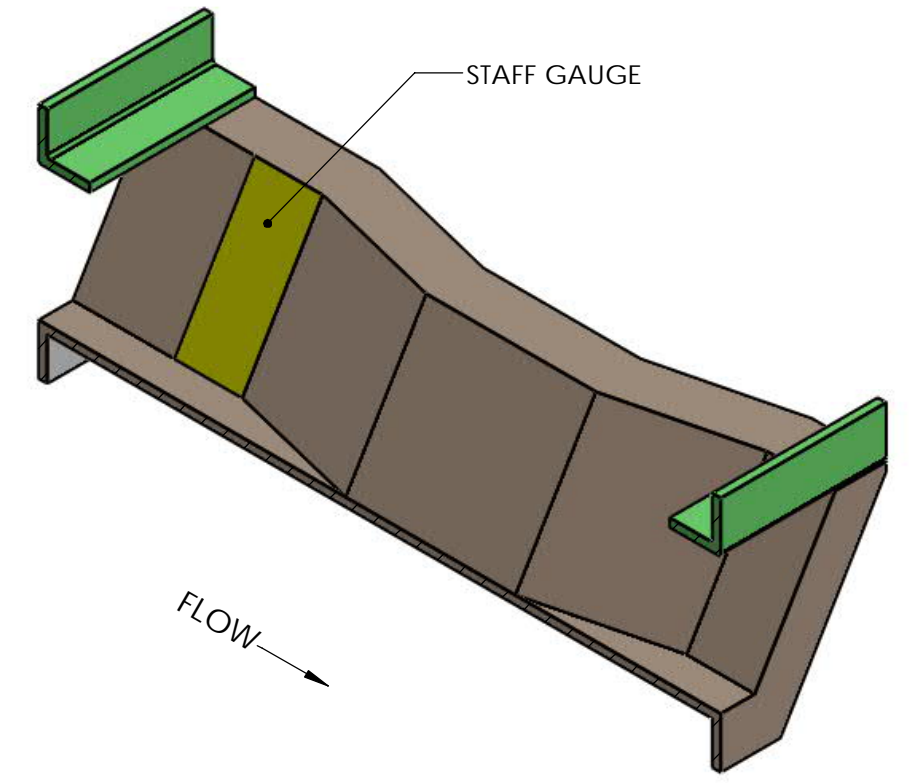
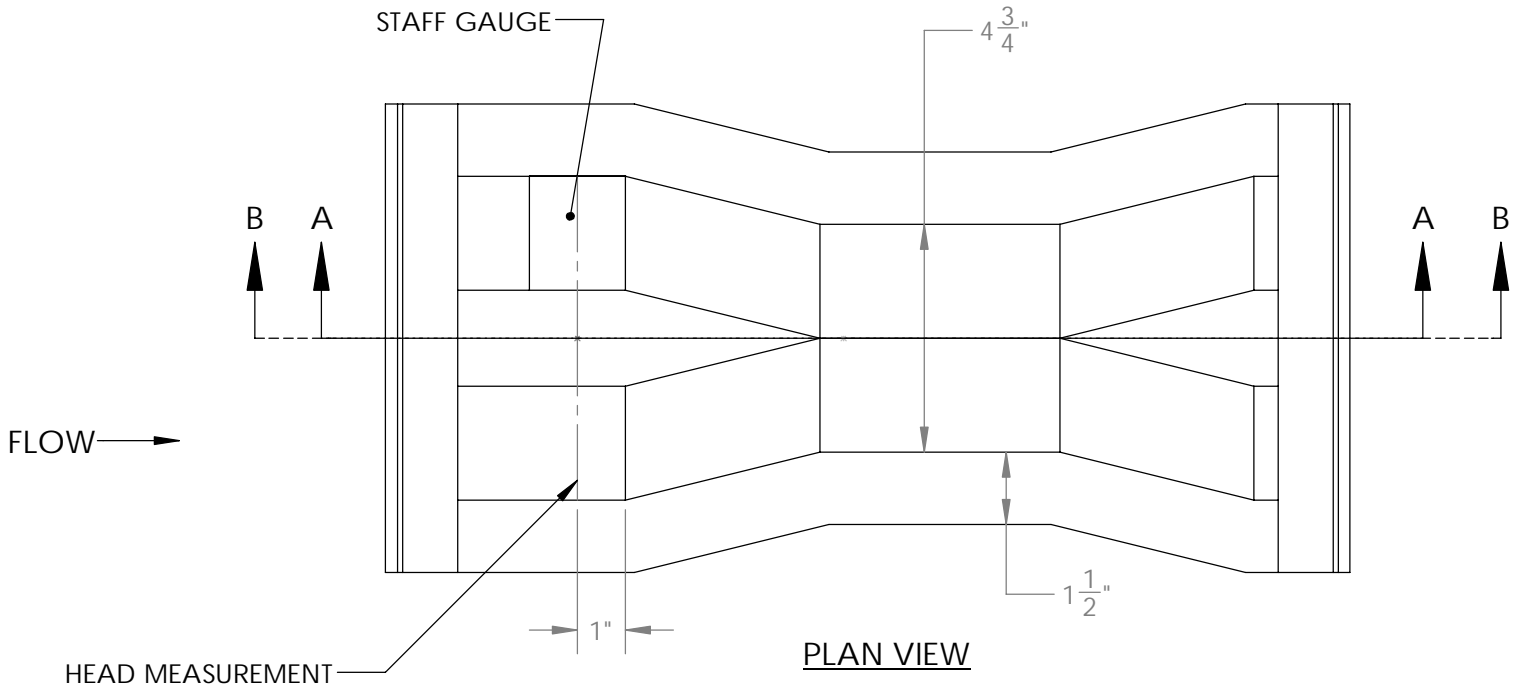


**VPC** 10478 Ridge Rd.,  
Medina NY 14103  
Toll Free: 888-290-9522  
Phone: 585-735-9668

TITLE: SMALL TRAPEZOIDAL FLUME		
Project: NO OPTIONS		
SIZE <b>B</b>	DWG. NO.	REV A
SCALE: 1:6	Weight 4.63	SHEET 2 OF 5

8 7 6 5 4 3 2 1

D  
C  
B  
A



PROPRIETARY AND CONFIDENTIAL  
THE INFORMATION CONTAINED IN THIS DRAWING IS THE SOLE PROPERTY OF Virtual Polymer Compounds, LLC. ANY REPRODUCTION IN PART OR AS A WHOLE WITHOUT THE WRITTEN PERMISSION OF Virtual Polymer Compounds, LLC IS PROHIBITED.

UNLESS OTHERWISE SPECIFIED:	NAME	DATE
DIMENSIONS ARE IN INCHES	DRAWN	LVR 12/3/2020
TOLERANCES:	CHECKED	
FRACTIONAL ±	ENG APPR.	
ANGULAR: MACH ± BEND ±	MFG APPR.	
TWO PLACE DECIMAL ±	Q.A.	
THREE PLACE DECIMAL ±	COMMENTS:	
INTERPRET GEOMETRIC TOLERANCING PER:		
MATERIAL	3rd ANGLE PROJECTION	
Material <not specified>		
FINISH		
DO NOT SCALE DRAWING		

TITLE:	10478 Ridge Rd., Medina NY 14103 Toll Free: 888-290-9522 Phone: 585-735-9668
Project:	NO OPTIONS
SIZE	DWG. NO.
B	
SCALE: 1:4	Weight 4.63
SHEET 3 OF 5	REV A

10478 Ridge Rd.,  
Medina NY 14103  
Toll Free: 888-290-9522  
Phone: 585-735-9668

TITLE:  
SMALL TRAPEZOIDAL FLUME

Project:  
NO OPTIONS

SIZE  
B

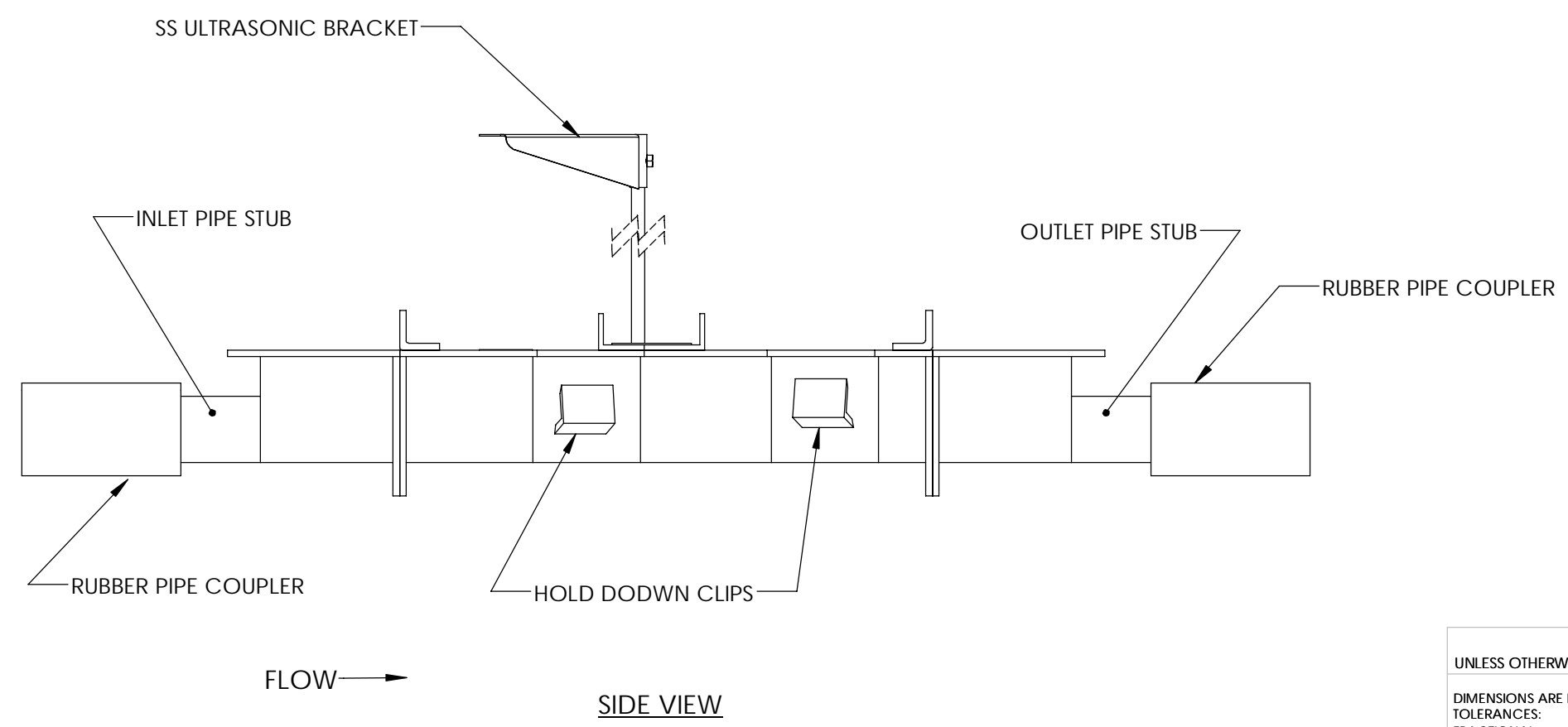
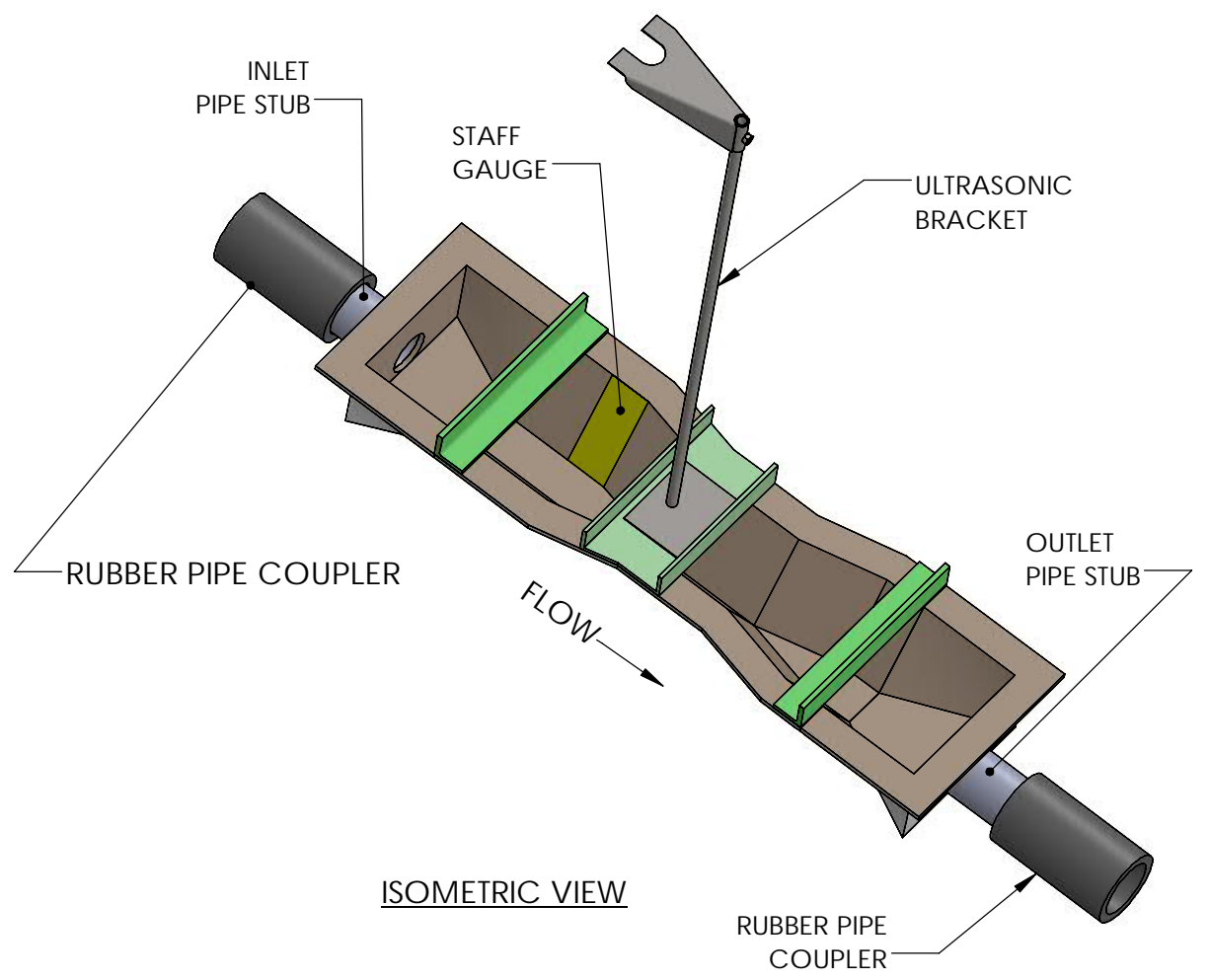
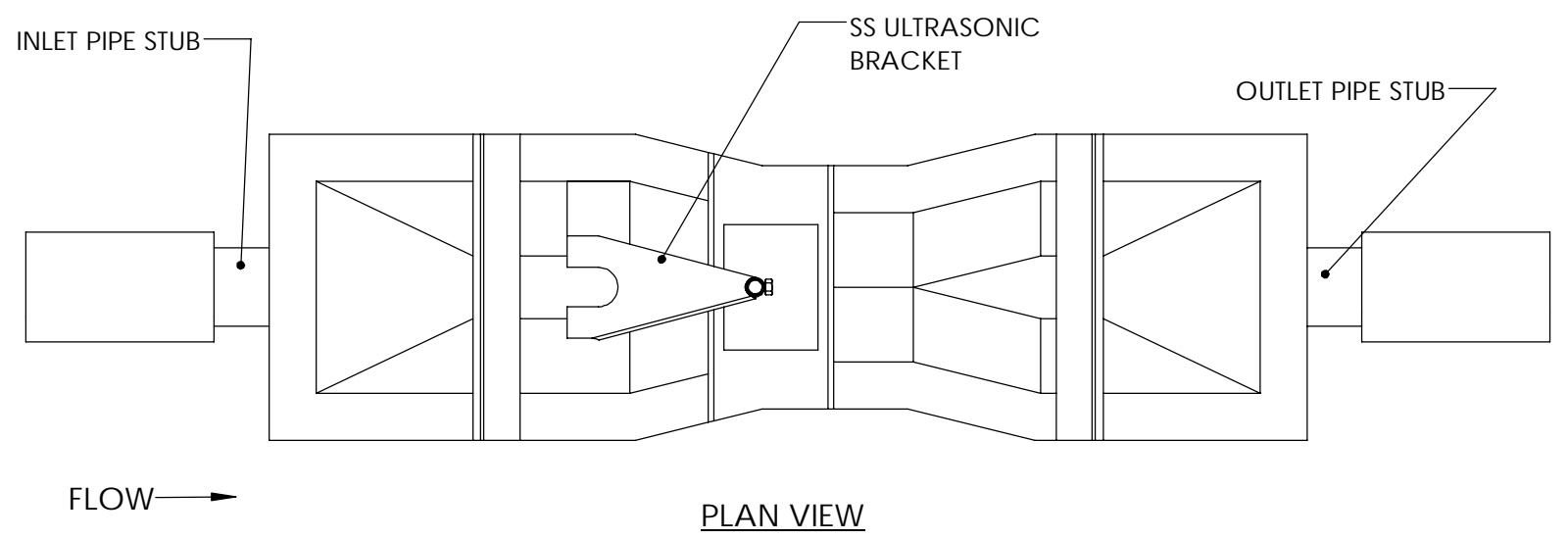
DWG. NO.

REV  
A

SCALE: 1:4 Weight 4.63 SHEET 3 OF 5

8 7 6 5 4 3 2 1

8 7 6 5 4 3 2 1



UNLESS OTHERWISE SPECIFIED:

DIMENSIONS ARE IN INCHES

TOLERANCES:

FRACTIONAL ±

ANGULAR: MACH ± BEND ±

TWO PLACE DECIMAL ±

THREE PLACE DECIMAL ±

INTERPRET GEOMETRIC TOLERANCING PER:

MATERIAL

Material <not specified>

FINISH

DO NOT SCALE DRAWING

	NAME	DATE
DRAWN	LVR	12/3/2020
CHECKED		
ENG APPR.		
MFG APPR.		
Q.A.		
COMMENTS:		
3rd ANGLE PROJECTION		

**VPC** 10478 Ridge Rd., Medina NY 14103  
 FIBERGLASS Toll Free: 888-290-9522 Phone: 585-735-9668

TITLE: SMALL TRAPEZOIDAL FLUME

Project: WITH OPTIONS

SIZE	DWG. NO.	REV
<b>B</b>		<b>A</b>

SCALE: 1:6 Weight 12.66 SHEET 4 OF 5

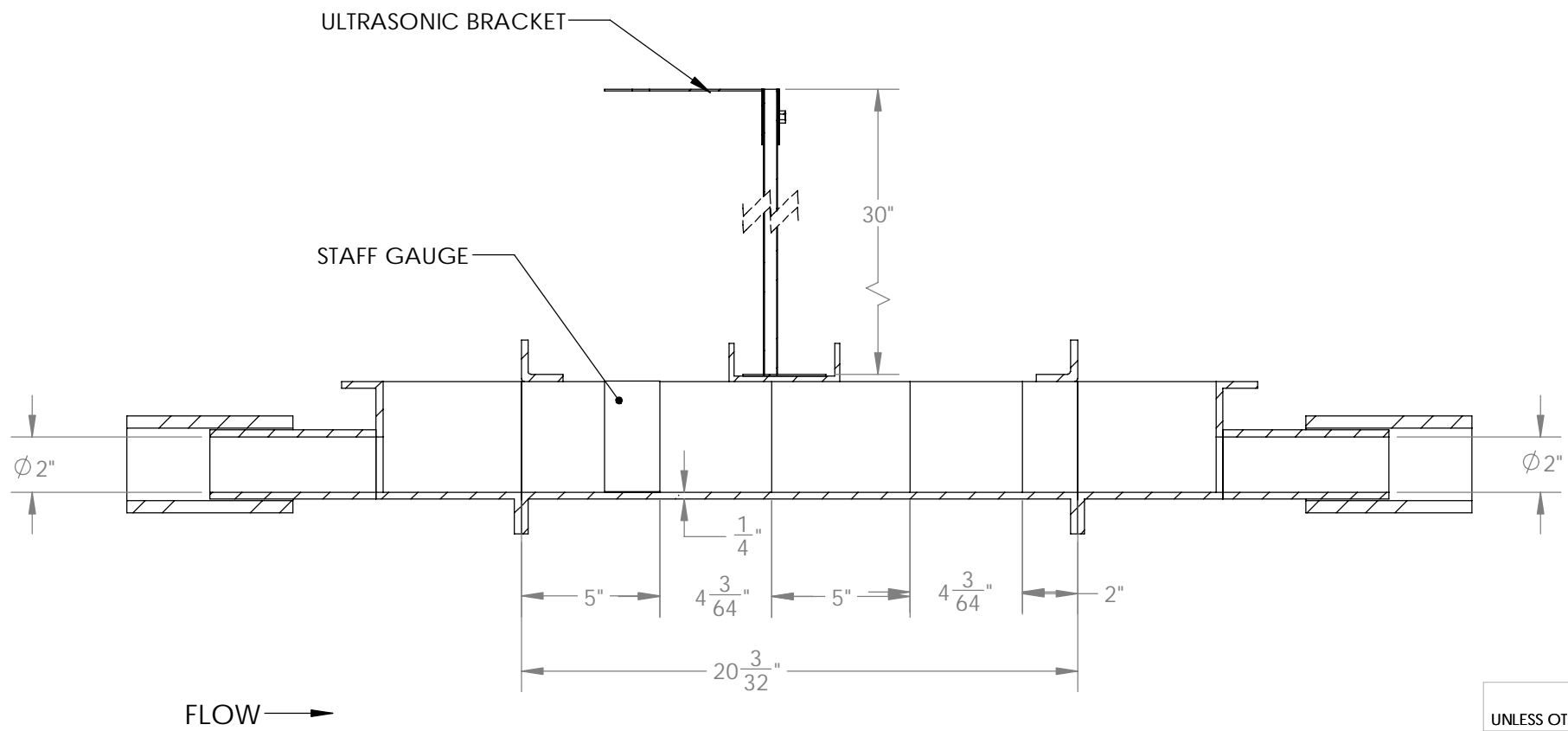
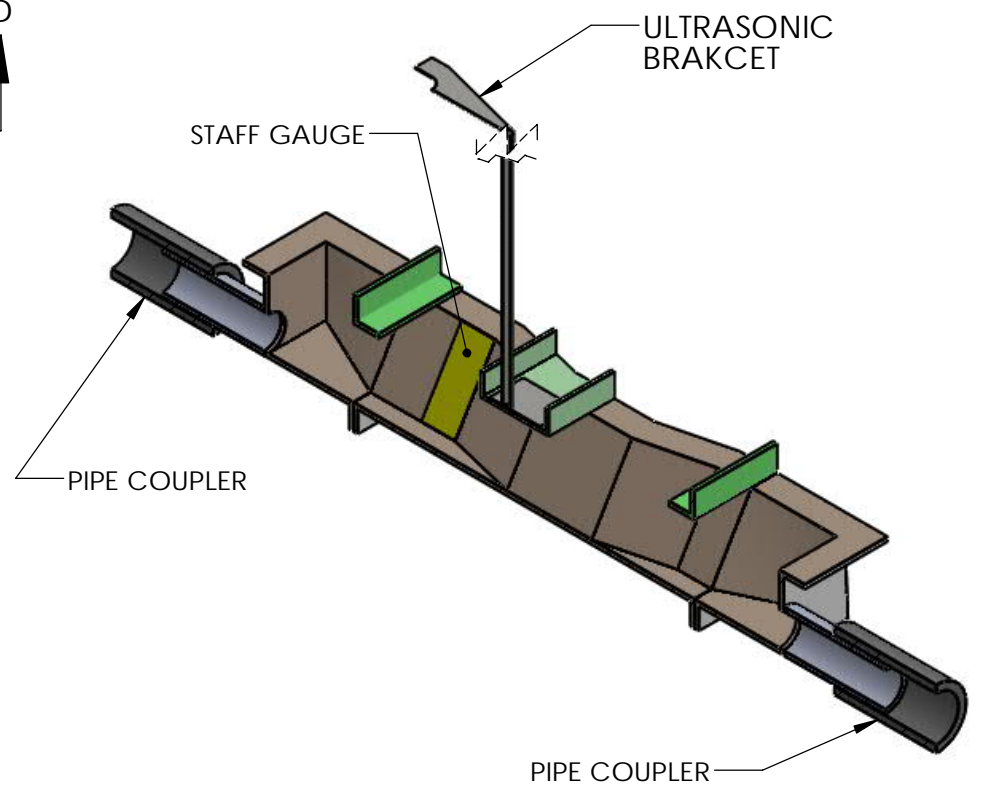
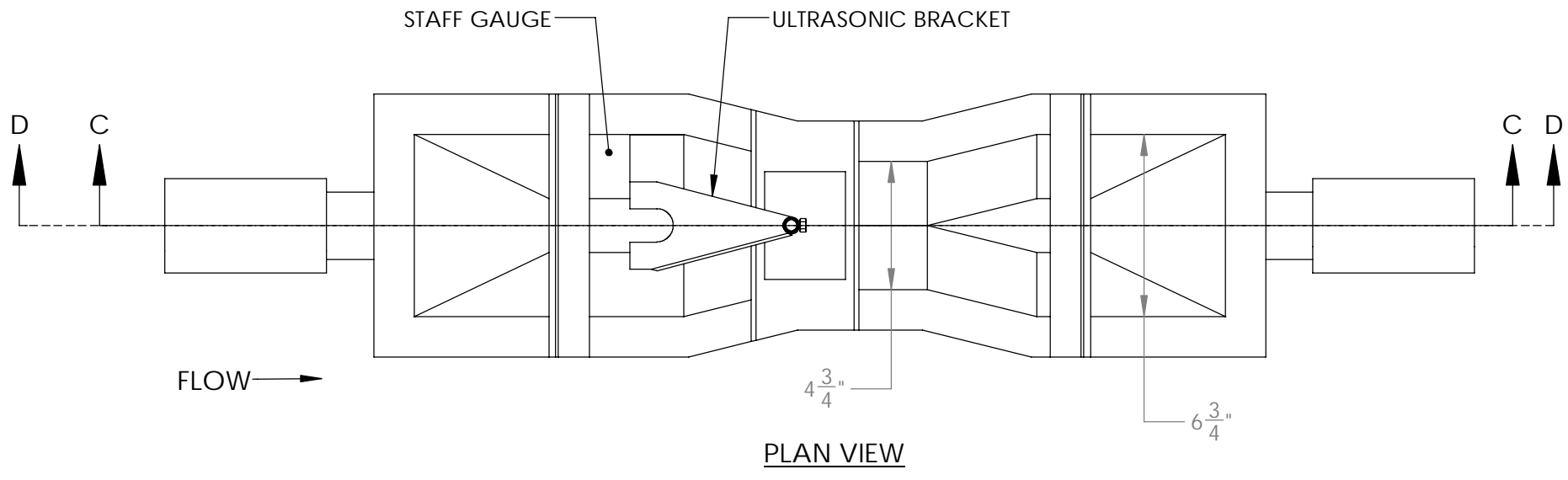
PROPRIETARY AND CONFIDENTIAL

THE INFORMATION CONTAINED IN THIS DRAWING IS THE SOLE PROPERTY OF Virtual Polymer Compounds, LLC. ANY REPRODUCTION IN PART OR AS A WHOLE WITHOUT THE WRITTEN PERMISSION OF Virtual Polymer Compounds, LLC IS PROHIBITED.

8 7 6 5 4 3 2 1


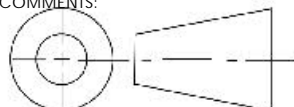
8 7 6 5 4 3 2 1

D  
C  
B  
A



SECTION C-C

PROPRIETARY AND CONFIDENTIAL  
THE INFORMATION CONTAINED IN THIS DRAWING IS THE SOLE PROPERTY OF Virtual Polymer Compounds, LLC. ANY REPRODUCTION IN PART OR AS A WHOLE WITHOUT THE WRITTEN PERMISSION OF Virtual Polymer Compounds, LLC IS PROHIBITED.

UNLESS OTHERWISE SPECIFIED:	NAME	DATE	 <b>VPC</b> 10478 Ridge Rd., Medina NY 14103 Toll Free: 888-290-9522 Phone: 585-735-9668	
DIMENSIONS ARE IN INCHES	DRAWN	LVR		12/3/2020
TOLERANCES:	CHECKED			
FRACTIONAL ±	ENG APPR.			
ANGULAR: MACH ± BEND ±	MFG APPR.			
TWO PLACE DECIMAL ±	Q.A.			
THREE PLACE DECIMAL ±	COMMENTS:			
INTERPRET GEOMETRIC TOLERANCING PER:	TITLE: SMALL TRAPEZOIDAL FLUME		Project: WITH OPTIONS	
MATERIAL	SIZE <b>B</b>			DWG. NO.
Material <not specified>	SCALE: 1:6		Weight 12.66	
FINISH	DO NOT SCALE DRAWING		SHEET 5 OF 5	
	3rd ANGLE PROJECTION		REV A	

8 7 6 5 4 3 2 1