

8

7

6

5

4

3

2

1

F

F

E

E

D

D

C

C

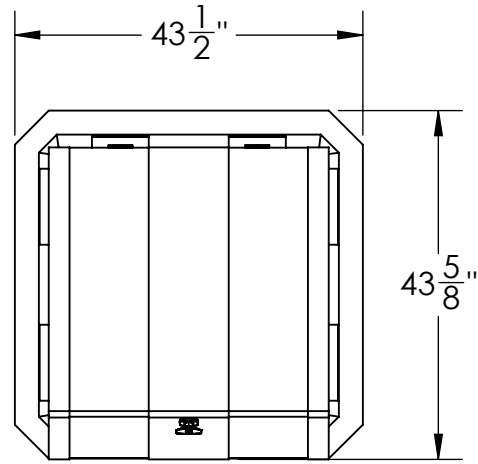
B

B

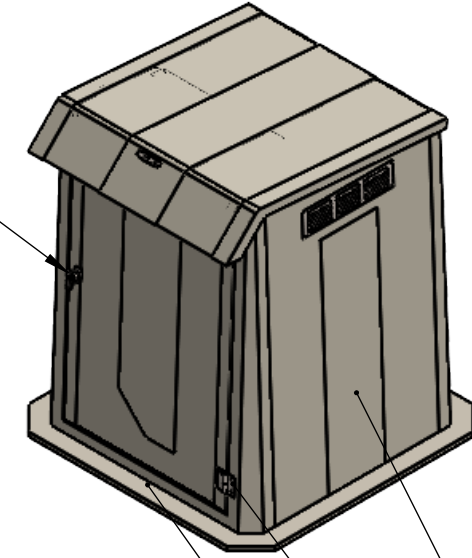
A

A

R7 INSULATION VALUE STANDARD. HIGHER R VALUES AVAILABLE



LOCKABLE LATCH

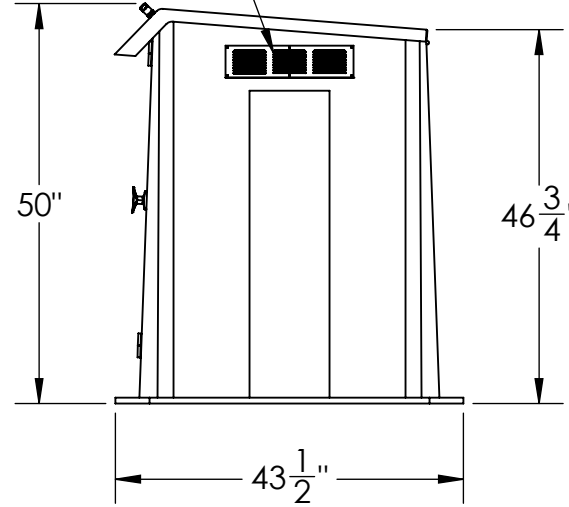
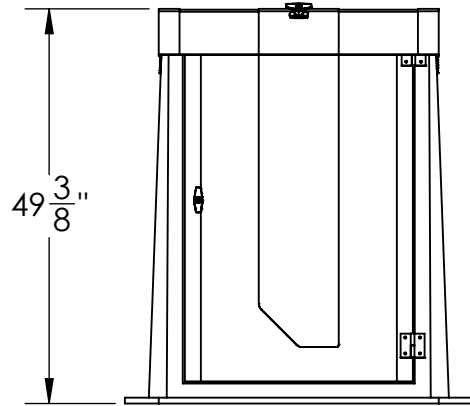


SCREENED FIXED LOUVER VENTS STANDARD

3IN WIDE EXTERNAL MOUNTING FLANGE

304SS EXTERNAL HARDWARE

20 MIL POLYESTER GELCOAT BEIGE COLOR STANDARD. OTHER COLORS OPTIONAL




OPTIONAL FEATURES:

- 3/8" THICK INTEGRAL FIBERGLASS FLOOR
- EQUIPMENT MOUNTING BOARD
- 110V, 60W INCANDESCENT LIGHT WITH WALL SWITCH
- VENTILATION FAN, 60CFM WITH REMOTE THERMOSTAT
- BASEBOARD 500W ELECTRIC HEATER W INTEGRAL THERMOSTAT
- 110/220V LOAD CENTER WITH 100A MAIN AND 4X 20A BREAKERS
- 12"X12" WINDOW IN DOOR

CUSTOM CONFIGURATIONS AVAILABLE!

PROPRIETARY AND CONFIDENTIAL

THE INFORMATION CONTAINED IN THIS DRAWING IS THE SOLE PROPERTY OF VIRTUAL POLYMER COMPOUNDS. ANY REPRODUCTION IN PART OR AS A WHOLE WITHOUT THE WRITTEN PERMISSION OF VIRTUAL POLYMER COMPOUNDS IS PROHIBITED.

		UNLESS OTHERWISE SPECIFIED:		NAME	DATE	 <small>Virtual Polymer Compounds VPC Fiberglass vpcfiberglass.com 11065, 119, 9065 E 118, 912, 6190 9427 E. 117th St. - Meridian, ID 83435</small>
		DIMENSIONS ARE IN INCHES TOLERANCES: FRACTIONAL ± ANGULAR: MACH ± BEND ± TWO PLACE DECIMAL ± THREE PLACE DECIMAL ±		DRAWN	CD	
		INTERPRET GEOMETRIC TOLERANCING PER:		CHECKED	---	---
		MATERIAL:		ENG APPR.	---	---
		FINISH:		MFG APPR.	---	---
NEXT ASSY	USED ON			Q.A.	---	---
APPLICATION		DO NOT SCALE DRAWING		COMMENTS:		
				TITLE:		ENDURO MODEL 100 FIBERGLASS ENCLOSURE
		SIZE	DWG. NO.	REV		
		B	M100	-		
		SCALE:	WEIGHT:	SHEET 1 OF 3		

8

7

6

5

4

3

2

1

8

7

6

5

4

3

2

1

F

F

E

E

D

D

C

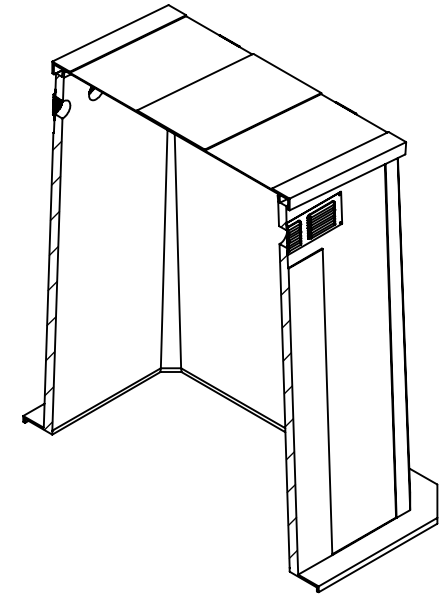
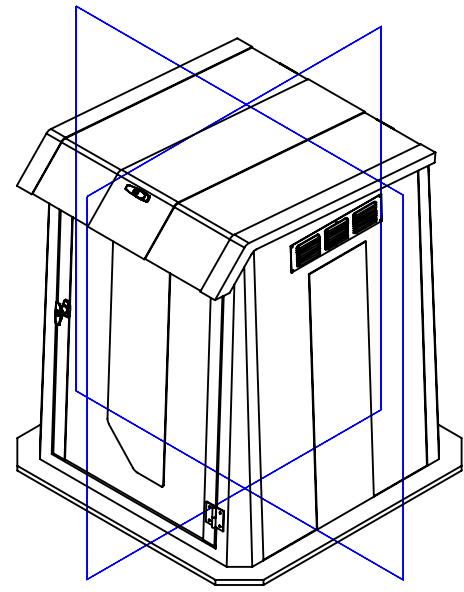
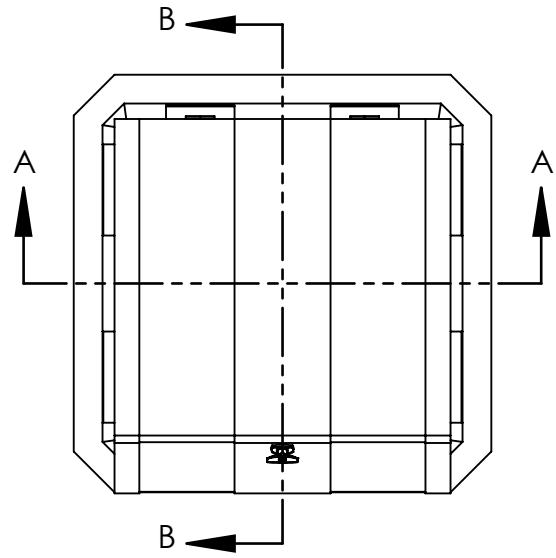
C

B

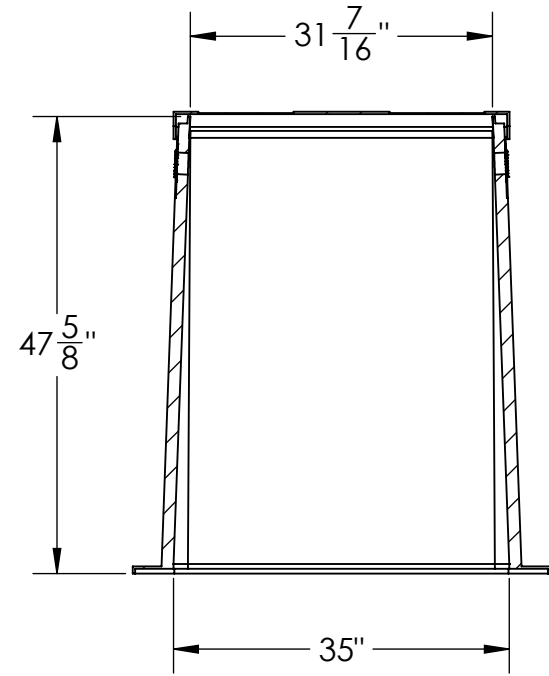
B

A

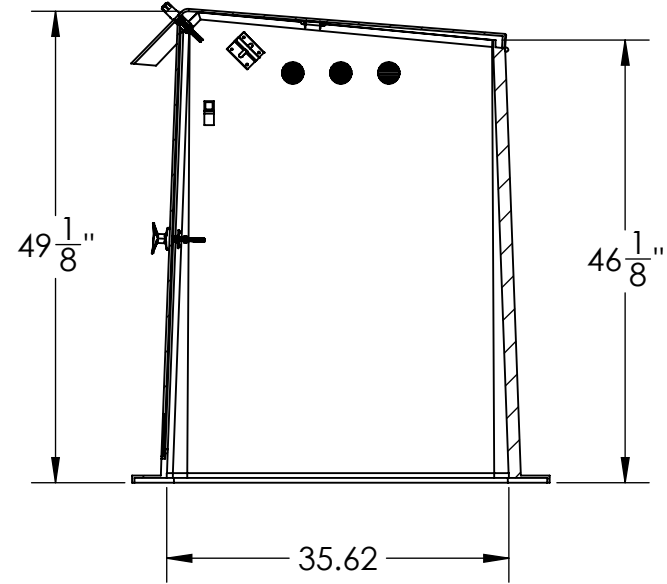
A



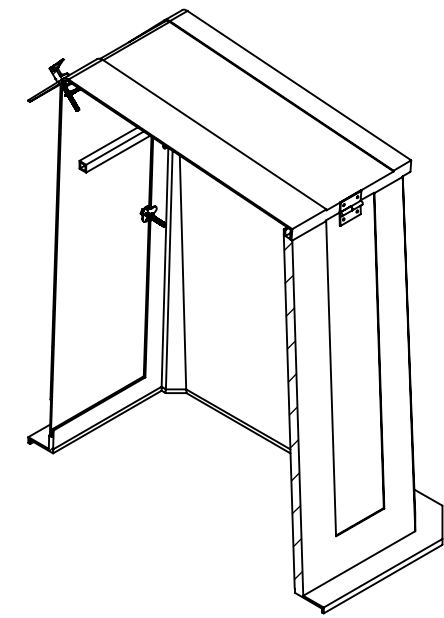
SECTION A-A



SECTION A-A



SECTION B-B



SECTION B-B

PROPRIETARY AND CONFIDENTIAL
 THE INFORMATION CONTAINED IN THIS DRAWING IS THE SOLE PROPERTY OF VIRTUAL POLYMER COMPOUNDS. ANY REPRODUCTION IN PART OR AS A WHOLE WITHOUT THE WRITTEN PERMISSION OF VIRTUAL POLYMER COMPOUNDS IS PROHIBITED.

		UNLESS OTHERWISE SPECIFIED:		NAME	DATE
		DIMENSIONS ARE IN INCHES		DRAWN	CD 8/14/2020
		TOLERANCES:		CHECKED	---
		FRACTIONAL ±		ENG APPR.	---
		ANGULAR: MACH ± BEND ±		MFG APPR.	---
		TWO PLACE DECIMAL ±		Q.A.	---
		THREE PLACE DECIMAL ±		COMMENTS:	
		INTERPRET GEOMETRIC TOLERANCING PER:			
		MATERIAL:			
		FINISH:			
NEXT ASSY	USED ON	DO NOT SCALE DRAWING			
APPLICATION					



TITLE:
ENDURO MODEL 100 FIBERGLASS ENCLOSURE

SIZE	DWG. NO.	REV
B	M100	-
SCALE:	WEIGHT:	SHEET 2 OF 3

8

7

6

5

4

3

2

1

8

7

6

5

4

3

2

1

F

F

E

E

D

D

C

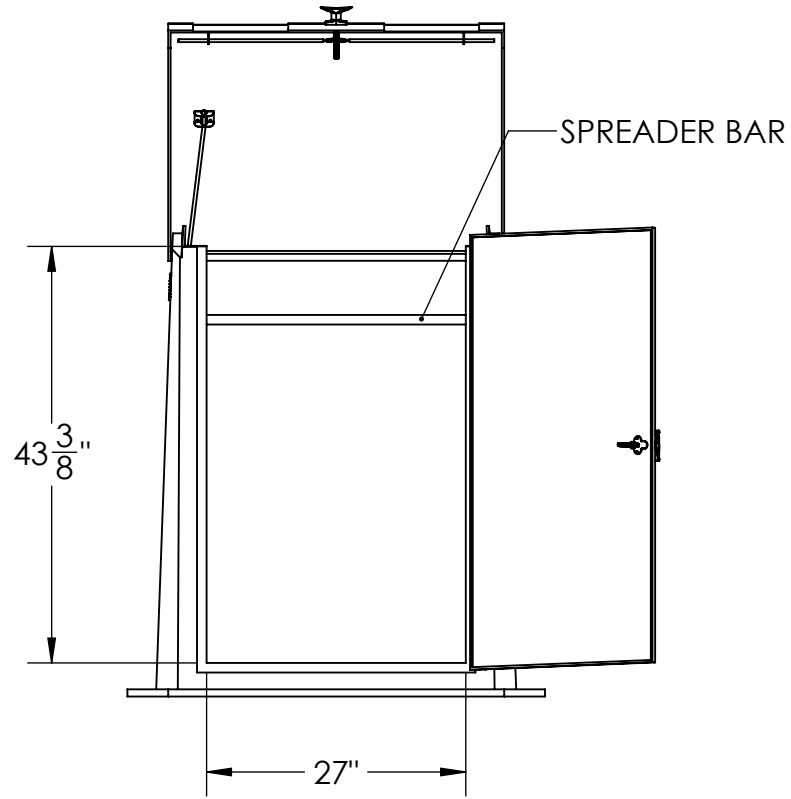
C

B

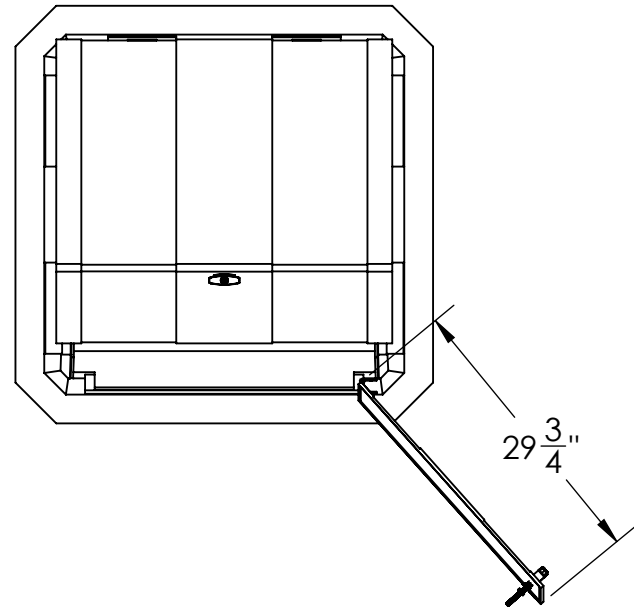
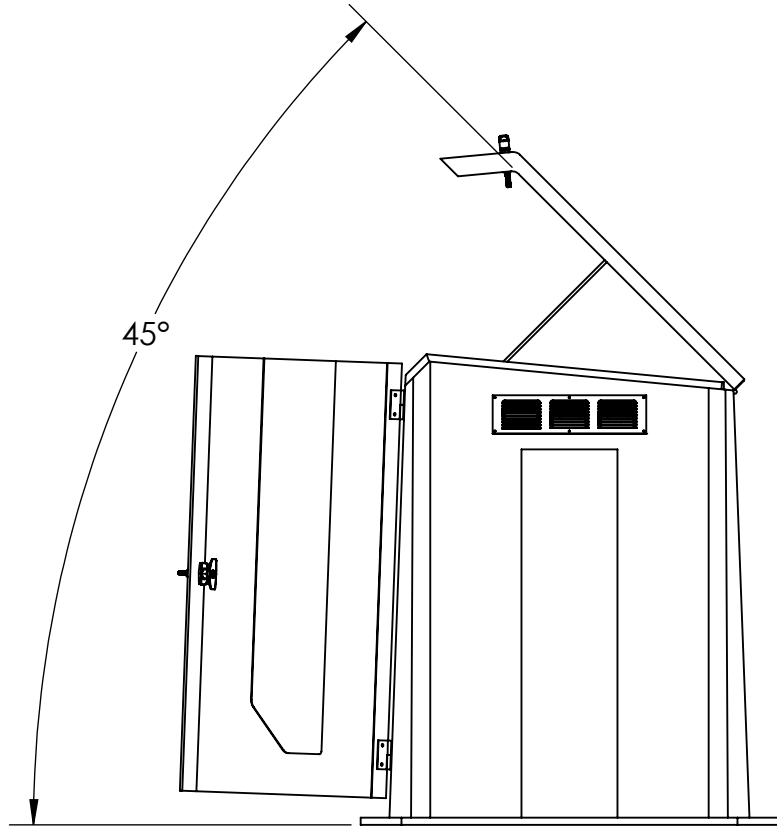
B

A

A



CLEAR OPENING



DOOR SWING

PROPRIETARY AND CONFIDENTIAL
 THE INFORMATION CONTAINED IN THIS DRAWING IS THE SOLE PROPERTY OF VIRTUAL POLYMER COMPOUNDS. ANY REPRODUCTION IN PART OR AS A WHOLE WITHOUT THE WRITTEN PERMISSION OF VIRTUAL POLYMER COMPOUNDS IS PROHIBITED.

		UNLESS OTHERWISE SPECIFIED:		NAME	DATE
		DIMENSIONS ARE IN INCHES		DRAWN	CD 8/14/2020
		TOLERANCES:		CHECKED	---
		FRACTIONAL ±		ENG APPR.	---
		ANGULAR: MACH ± BEND ±		MFG APPR.	---
		TWO PLACE DECIMAL ±		Q.A.	---
		THREE PLACE DECIMAL ±		COMMENTS:	
		INTERPRET GEOMETRIC TOLERANCING PER:			
		MATERIAL:			
		FINISH:			
NEXT ASSY	USED ON				
APPLICATION		DO NOT SCALE DRAWING			

VPC FIBERGLASS Virtual Polymer Compounds VPC Fiberglass
 vpcfiberglass.com 1 800 712 9005 P 118.542.6190
 2427 E. 17th St. Mesa, AZ 8405

TITLE:
ENDURO MODEL 100 FIBERGLASS ENCLOSURE

SIZE	DWG. NO.	REV
B	M100	-
SCALE:	WEIGHT:	SHEET 3 OF 3

8

7

6

5

4

3

2

1