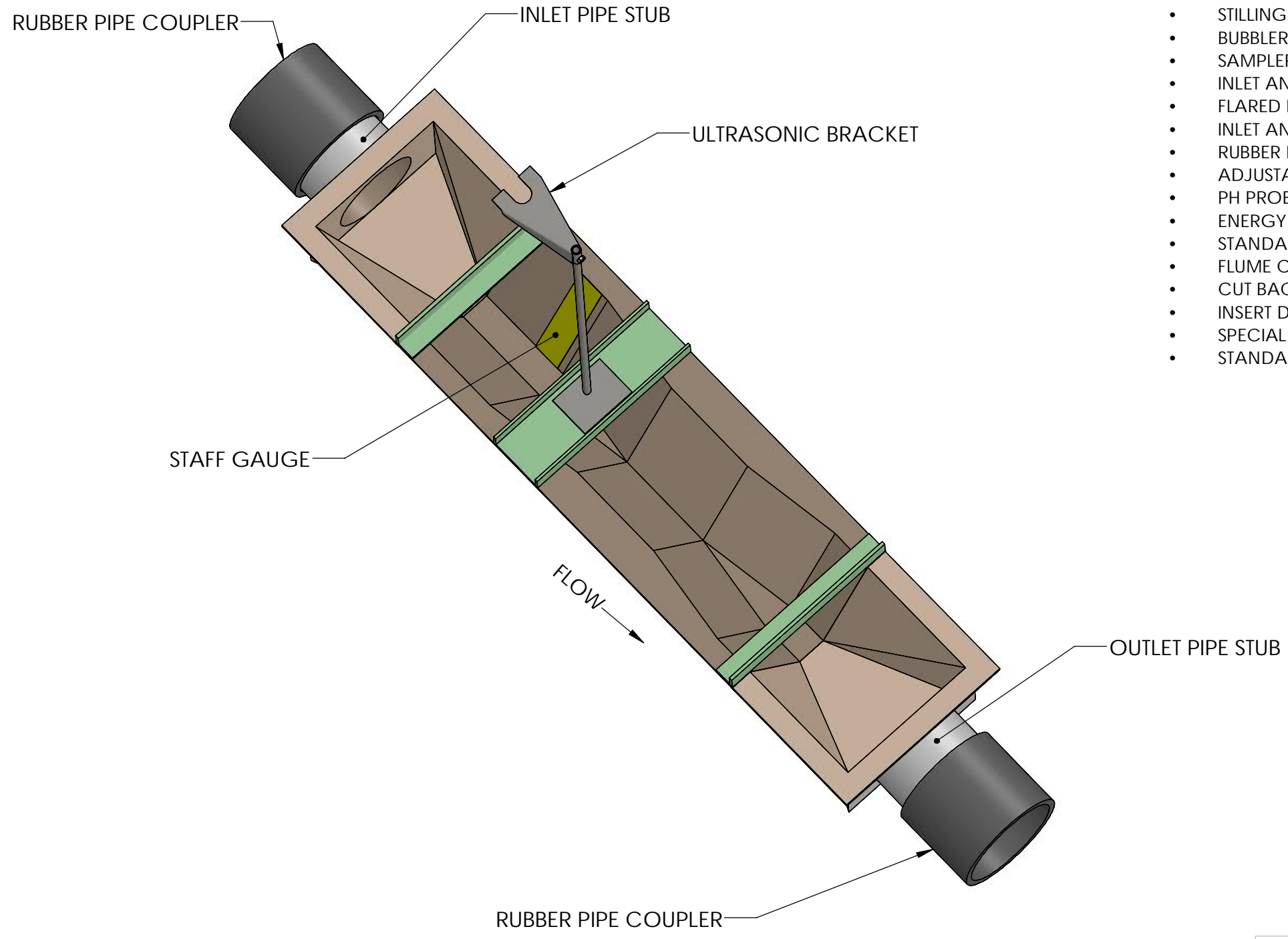


8 7 6 5 4 3 2 1


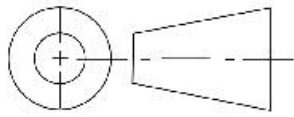
D
C
B
A

D
C
B
A



- AVAILABLE OPTIONS:
- STAFF GAUGE (ENGLISH OR METRIC).
 - STILLING WELL (INTEGRAL OR REMOTE).
 - BUBBLER TUBE (SS 1/4" ID, INTEGRAL OR REMOVABLE).
 - SAMPLER TUBE (SS 3/8" ID, INTEGRAL OR REMOVABLE).
 - INLET AND OUTLET PIPE STUBS.
 - FLARED INLET AND OUTLET TRANSITIONS PIPE STUBS.
 - INLET AND OUTLET BULKHEADS.
 - RUBBER PIPE COUPLERS W/ SS CLAMP BANDS.
 - ADJUSTABLE SS ULTRASONIC BRACKET.
 - PH PROBE CAVITY.
 - ENERGY ABSORBING RACKS. (FIXED OR REMOVABLE).
 - STANDARD OR SPECIAL DEPTHS (INCLUDING SURGE BOXES).
 - FLUME COVERS (GRATING, FIBER SHEETING, CLEAR POLYCARBONATE).
 - CUT BACK DESIGN.
 - INSERT DESIGN.
 - SPECIAL DESIGN (TO MEET SPECIAL PROJECT NEEDS).
 - STANDARD COLOR IS BEIGE (CUSTOM COLORS AVAILABLE).

PROPRIETARY AND CONFIDENTIAL
 THE INFORMATION CONTAINED IN THIS DRAWING IS THE SOLE PROPERTY OF VIRTUAL POLYMER COMPOUNDS, LLC. ANY REPRODUCTION IN PART OR AS A WHOLE WITHOUT THE WRITTEN PERMISSION OF VIRTUAL POLYMER COMPOUNDS, LLC IS PROHIBITED.

UNLESS OTHERWISE SPECIFIED:		NAME	DATE	 VPC FIBERGLASS 10478 Ridge Rd., Medina NY 14103 Toll Free: 888-290-9522 Phone: 585-735-9668
DIMENSIONS ARE IN INCHES	DRAWN	LVR	12/16/2020	
TOLERANCES:	CHECKED			
FRACTIONAL ±	ENG APPR.			
ANGULAR: MACH ± BEND ±	MFG APPR.			TITLE: LARGE TRAPEZOIDAL FLUME
TWO PLACE DECIMAL ±	Q.A.			Project: WITH OPTIONS
THREE PLACE DECIMAL ±				SIZE DWG. NO. REV B
INTERPRET GEOMETRIC TOLERANCING PER:	 3rd ANGLE PROJECTION			SCALE: 1:8 Weight 27.87 SHEET 1 OF 5
MATERIAL POLYESTER RESIN FINISH	DO NOT SCALE DRAWING			

8 7 6 5 4 3 2 1

8 7 6 5 4 3 2 1

D

C

B

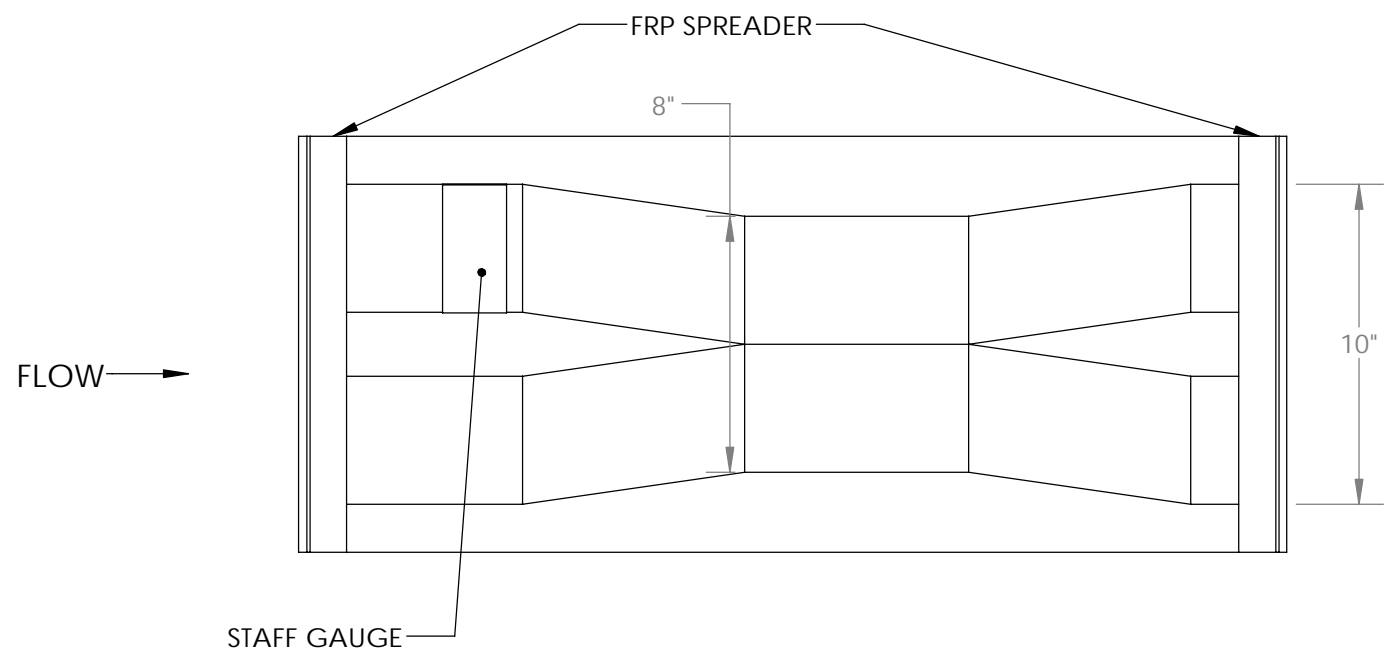
A

D

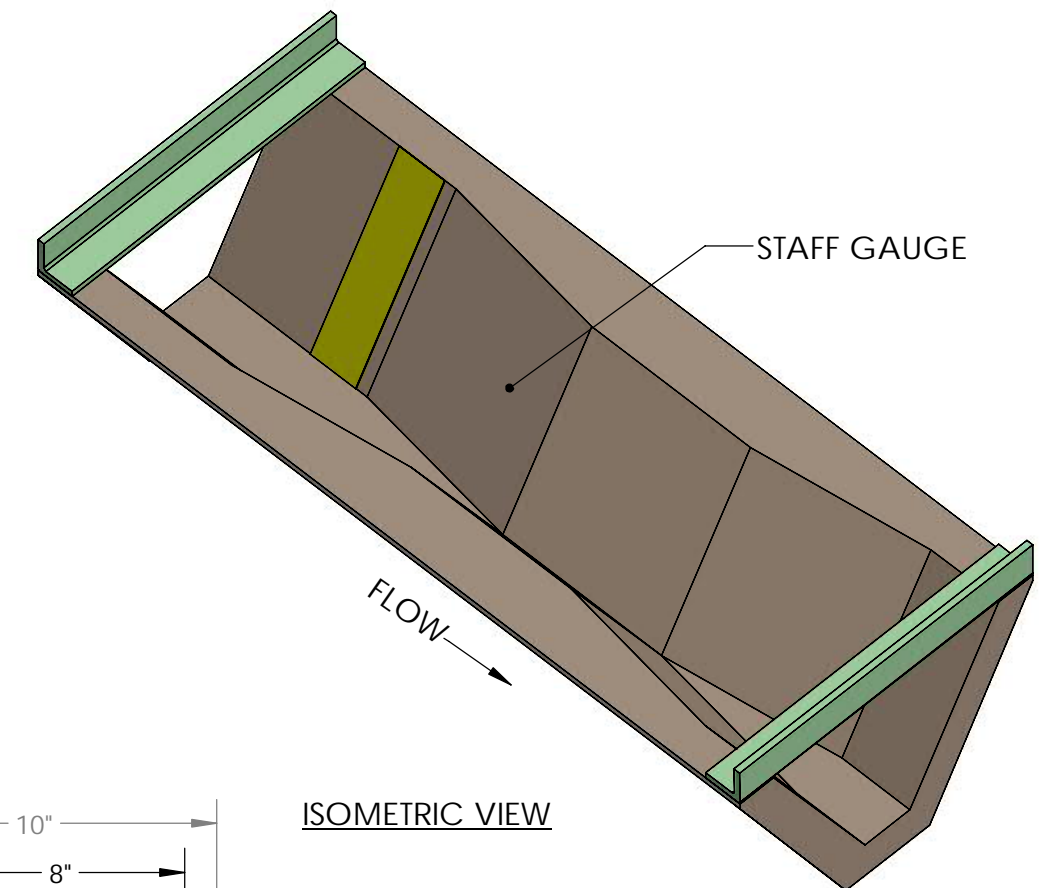
C

B

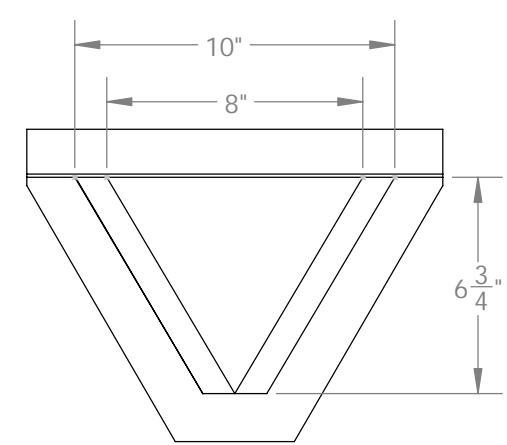
A



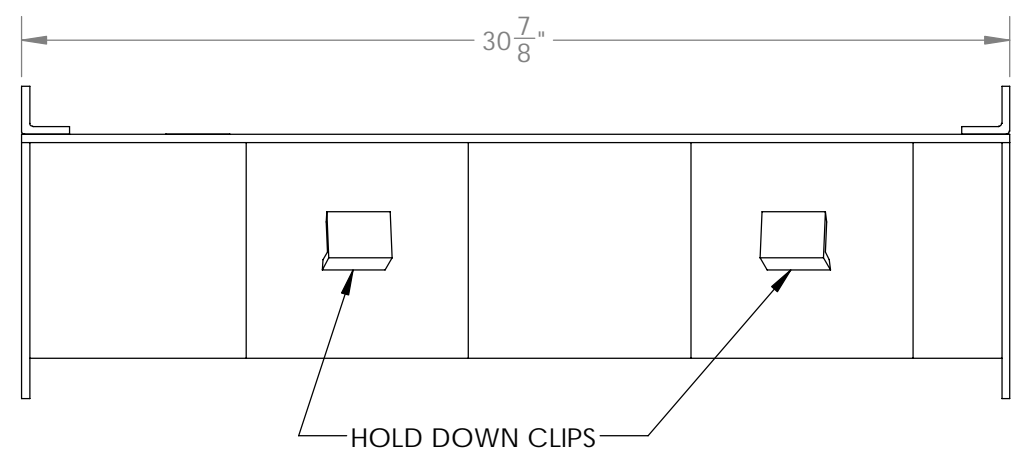
PLAN VIEW



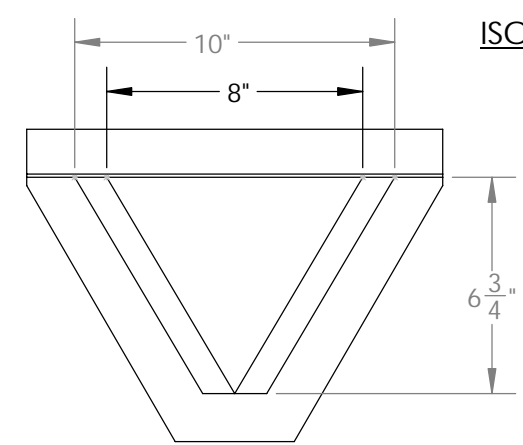
ISOMETRIC VIEW



END VIEW (LOOKING DOWNSTREAM)



SIDE VIEW



END VIEW (LOOKING UPSTREAM)

- NOTES:
- 1) INTERIOR GEL COAT COLOR TO BE BEIGE.
 - 2) EXTERIOR GEL COAT COLOR TO BE WHITE.
 - 3) NOMINAL MATERIAL THICKNESS = 1/4".

FLOW →

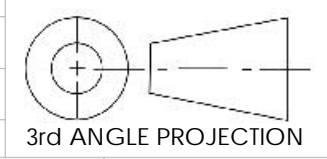
PROPRIETARY AND CONFIDENTIAL
 THE INFORMATION CONTAINED IN THIS DRAWING IS THE SOLE PROPERTY OF VIRTUAL POLYMER COMPOUNDS, LLC. ANY REPRODUCTION IN PART OR AS A WHOLE WITHOUT THE WRITTEN PERMISSION OF VIRTUAL POLYMER COMPOUNDS, LLC IS PROHIBITED.

UNLESS OTHERWISE SPECIFIED:
 DIMENSIONS ARE IN INCHES
 TOLERANCES:
 FRACTIONAL ±
 ANGULAR: MACH ± BEND ±
 TWO PLACE DECIMAL ±
 THREE PLACE DECIMAL ±

INTERPRET GEOMETRIC TOLERANCING PER:
 MATERIAL POLYESTER RESIN
 FINISH

DO NOT SCALE DRAWING

NAME	DATE
DRAWN LVR	12/16/2020
CHECKED	
ENG APPR.	
MFG APPR.	
Q.A.	



VPC FIBERGLASS 10478 Ridge Rd., Medina NY 14103
 Toll Free: 888-290-9522 Phone: 585-735-9668

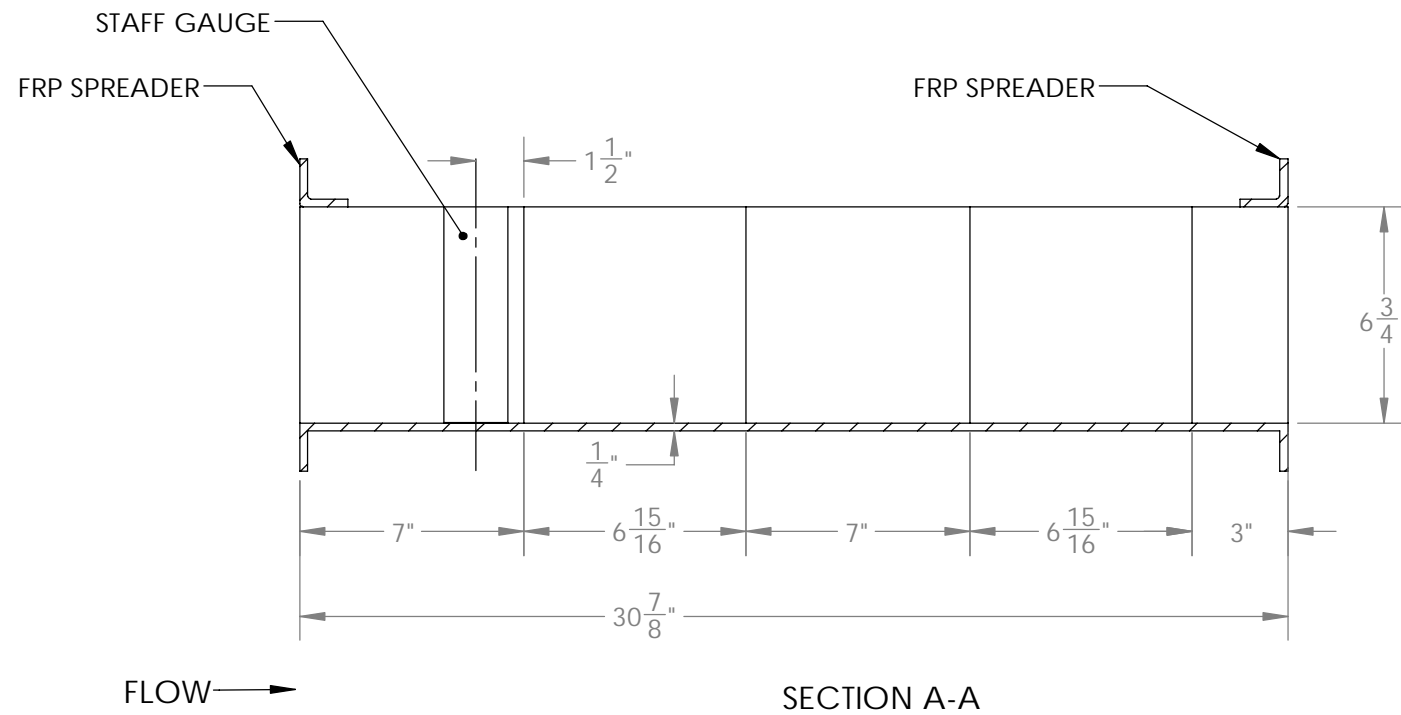
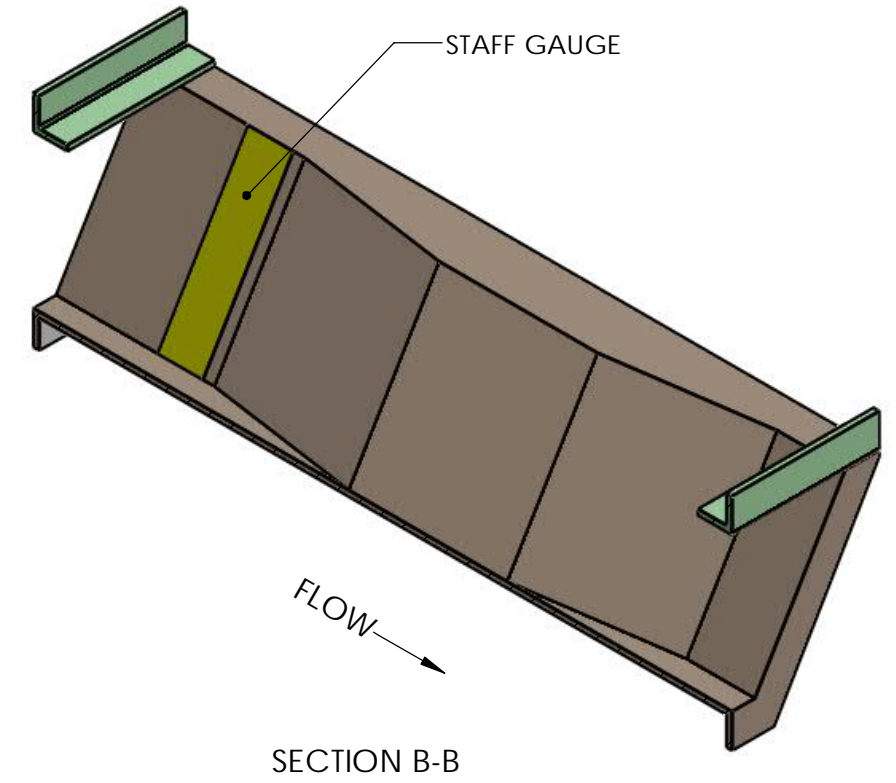
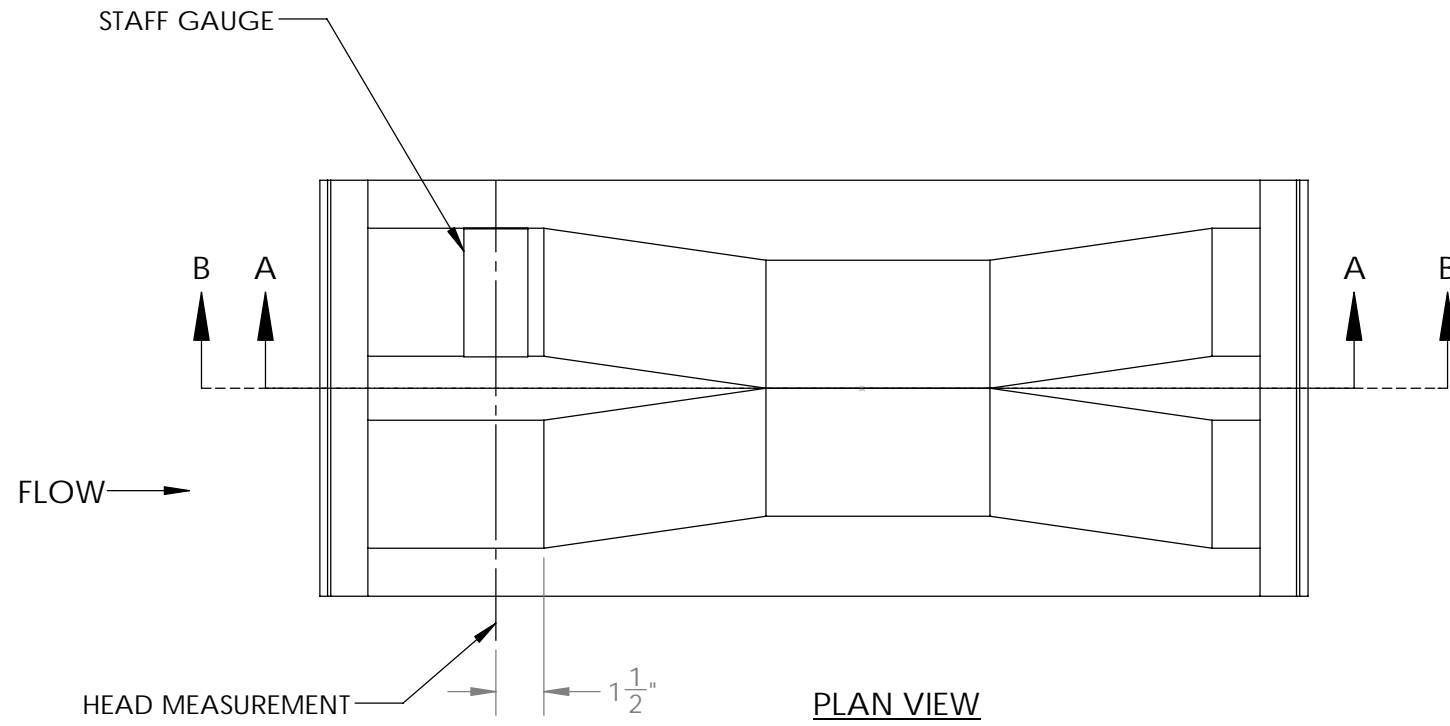
TITLE: LARGE TRAPEZOIDAL FLUME

Project: WITHOUT OPTIONS


SIZE B	DWG. NO.	REV A
SCALE: 1:6	Weight 9.81	SHEET 2 OF 5

8 7 6 5 4 3 2 1

8 7 6 5 4 3 2 1



PROPRIETARY AND CONFIDENTIAL
 THE INFORMATION CONTAINED IN THIS DRAWING IS THE SOLE PROPERTY OF Virtual Polymer Compounds, LLC. ANY REPRODUCTION IN PART OR AS A WHOLE WITHOUT THE WRITTEN PERMISSION OF Virtual Polymer Compounds, LLC IS PROHIBITED.

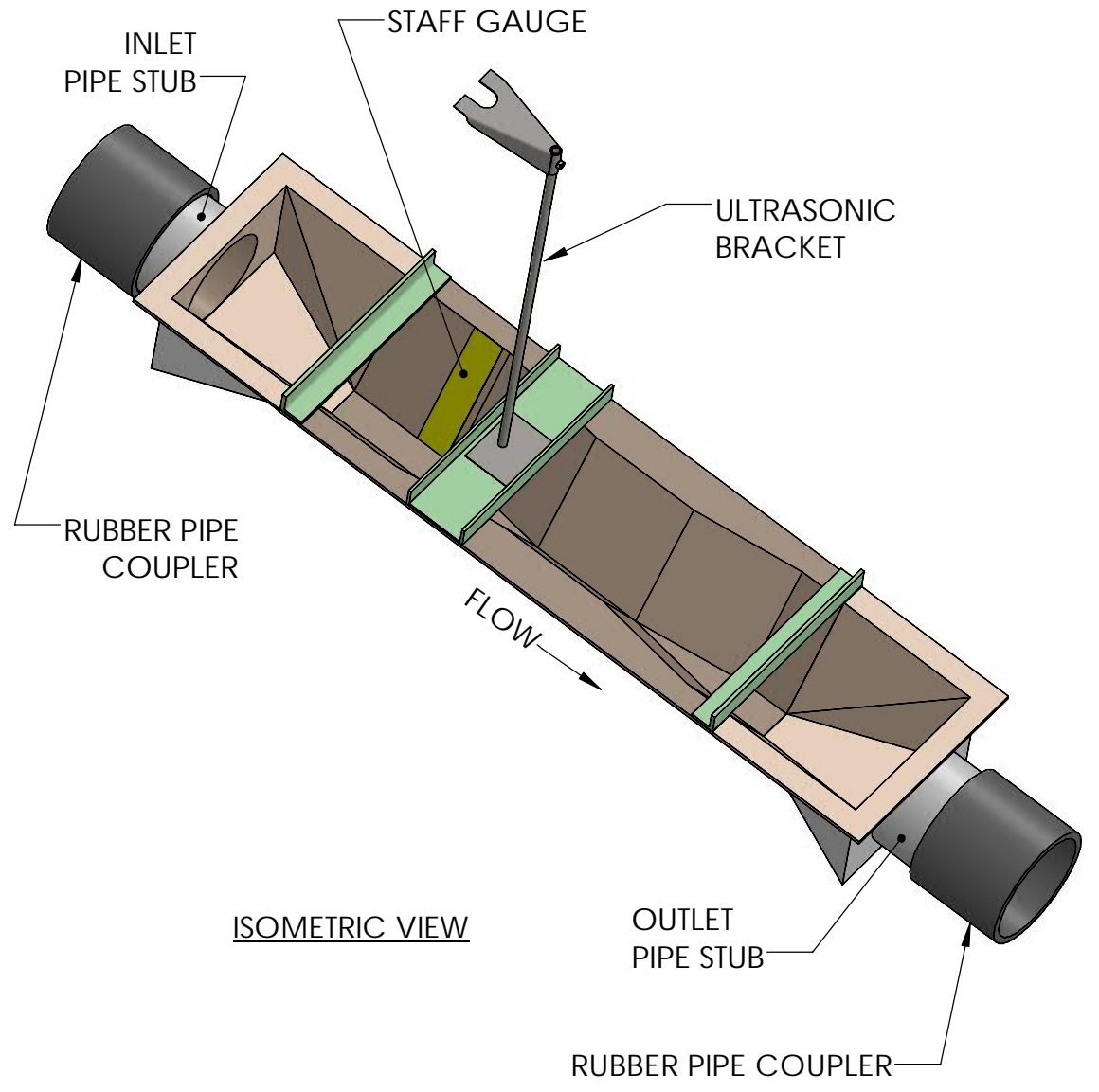
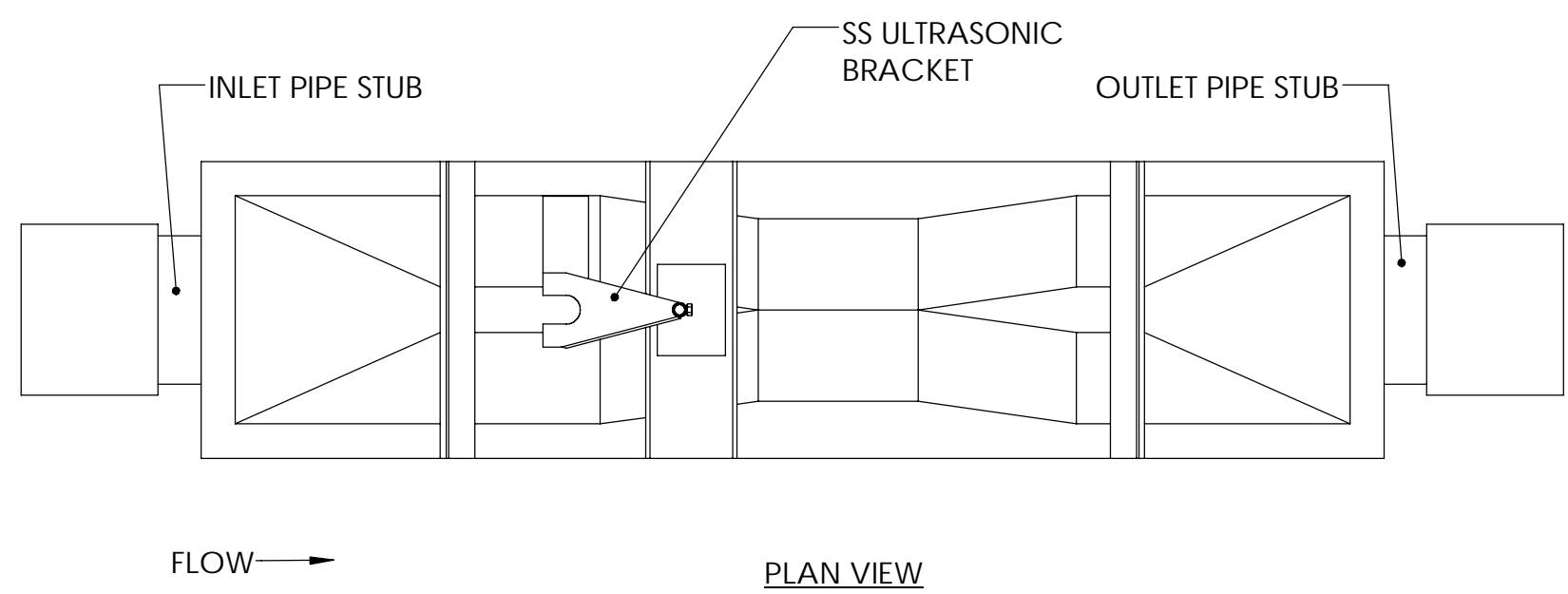
UNLESS OTHERWISE SPECIFIED:		NAME	DATE	 VPC 10478 Ridge Rd., Medina NY 14103 Toll Free: 888-290-9522 Phone: 585-735-9668
DIMENSIONS ARE IN INCHES TOLERANCES: FRACTIONAL ± ANGULAR: MACH ± BEND ± TWO PLACE DECIMAL ± THREE PLACE DECIMAL ±		DRAWN	LVR 12/16/2020	
INTERPRET GEOMETRIC TOLERANCING PER:		CHECKED		TITLE: LARGE TRAPEZOIDAL FLUME
MATERIAL POLYESTER RESIN FINISH		ENG APPR.		Project: WITHOUT OPTIONS
DO NOT SCALE DRAWING		MFG APPR.		SIZE DWG. NO. REV B
3rd ANGLE PROJECTION		Q.A.		SCALE: 1:6 Weight 9.81 SHEET 3 OF 5
		COMMENTS:		

8 7 6 5 4 3 2 1

8 7 6 5 4 3 2 1

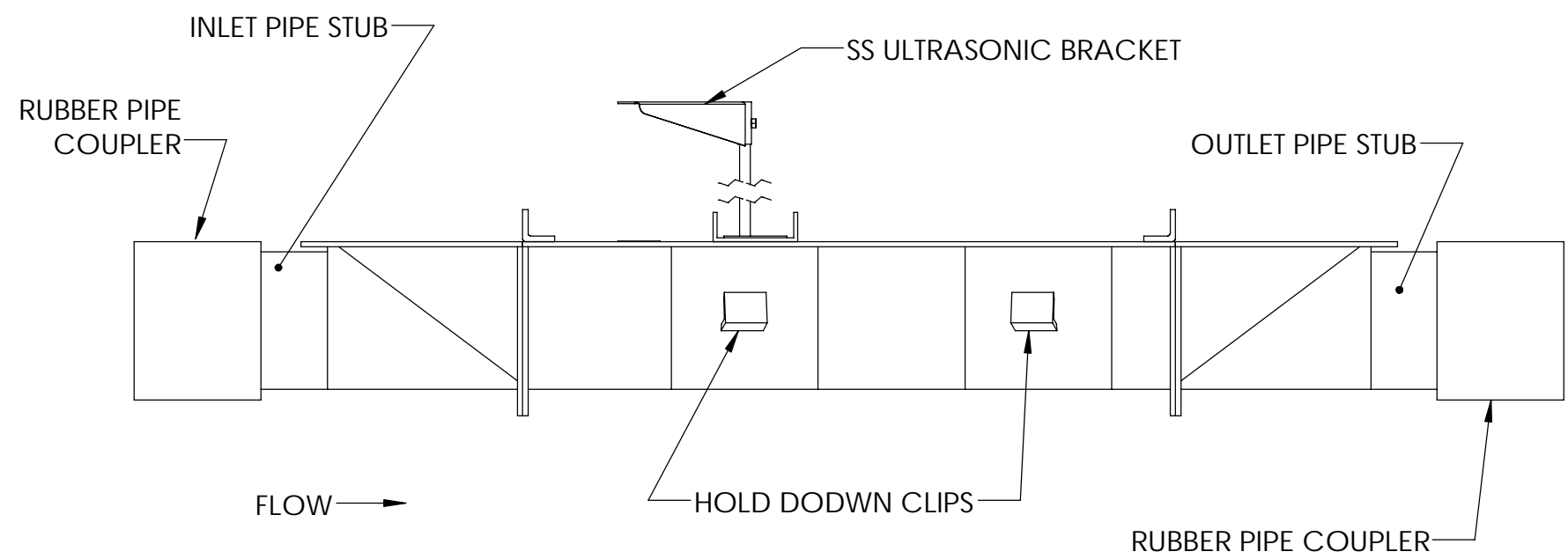
D

D



C

C




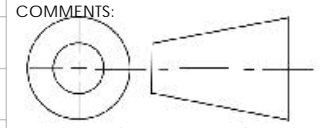
B

B

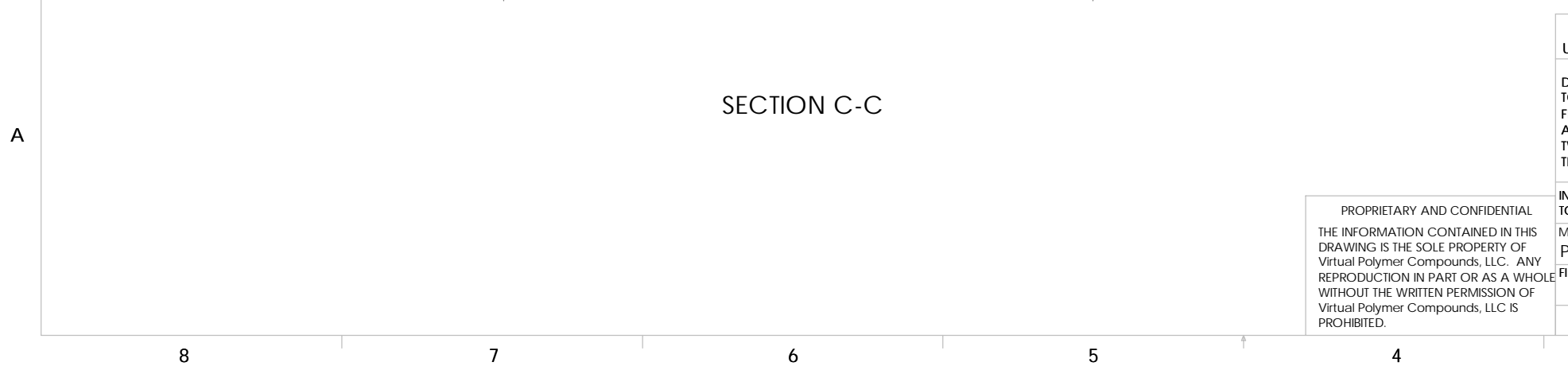
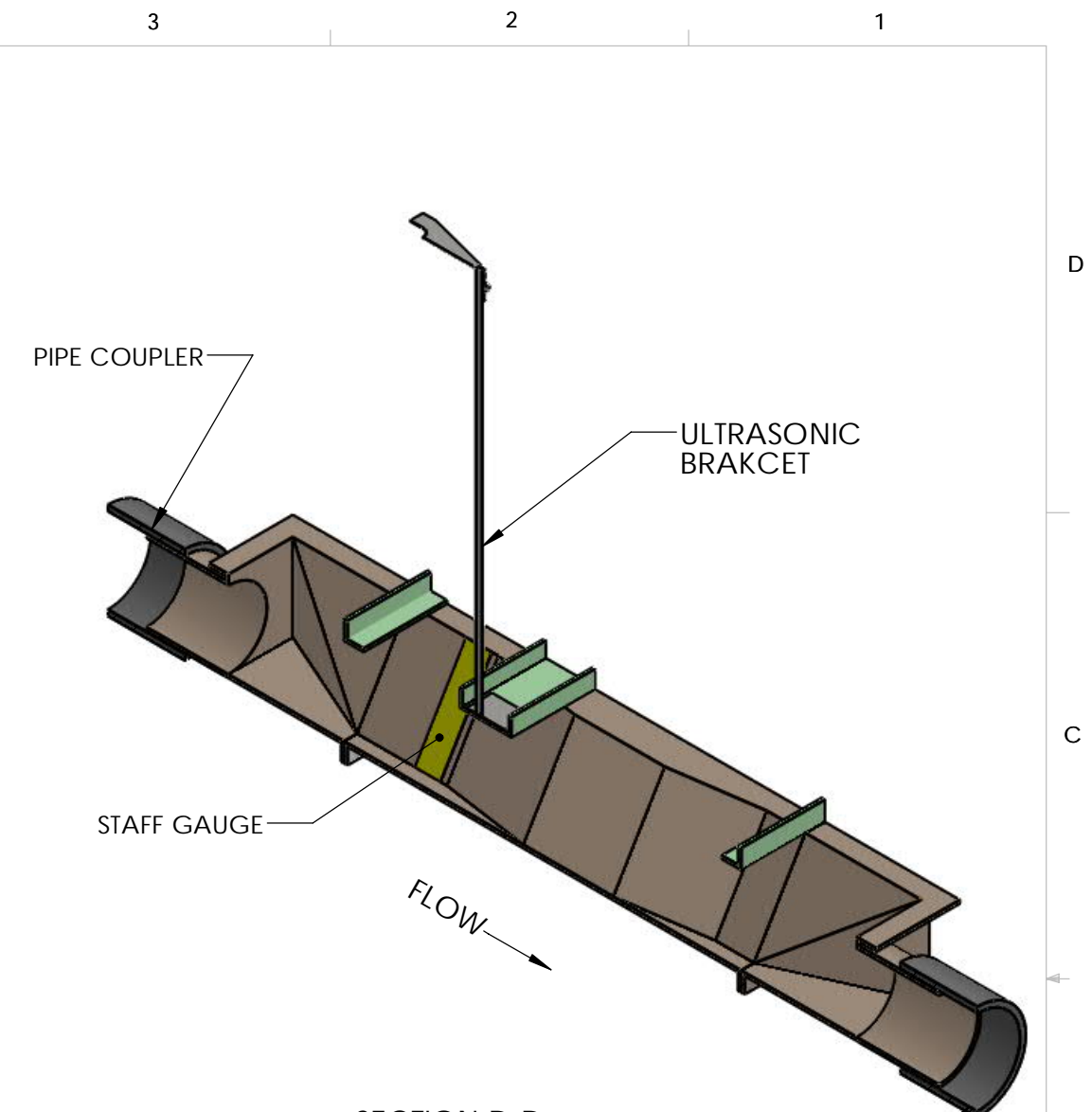
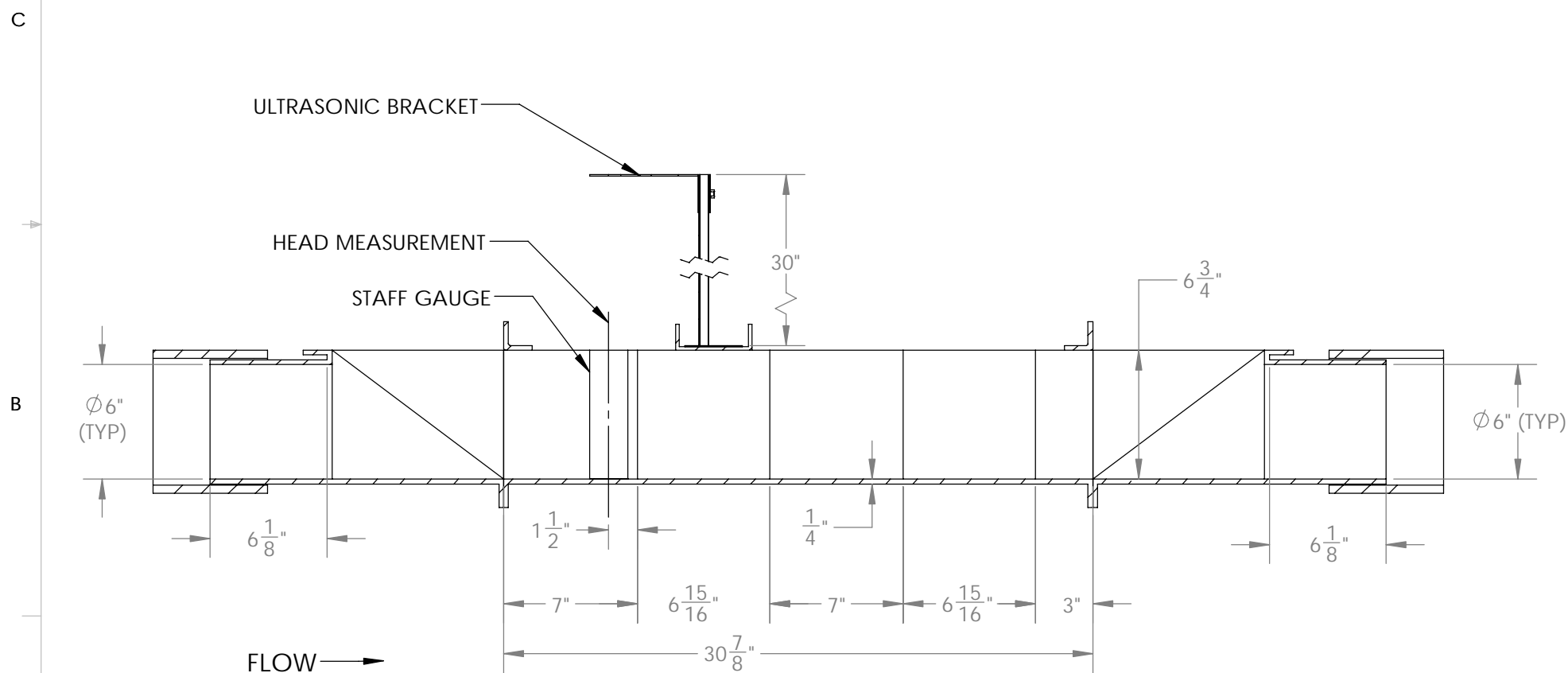
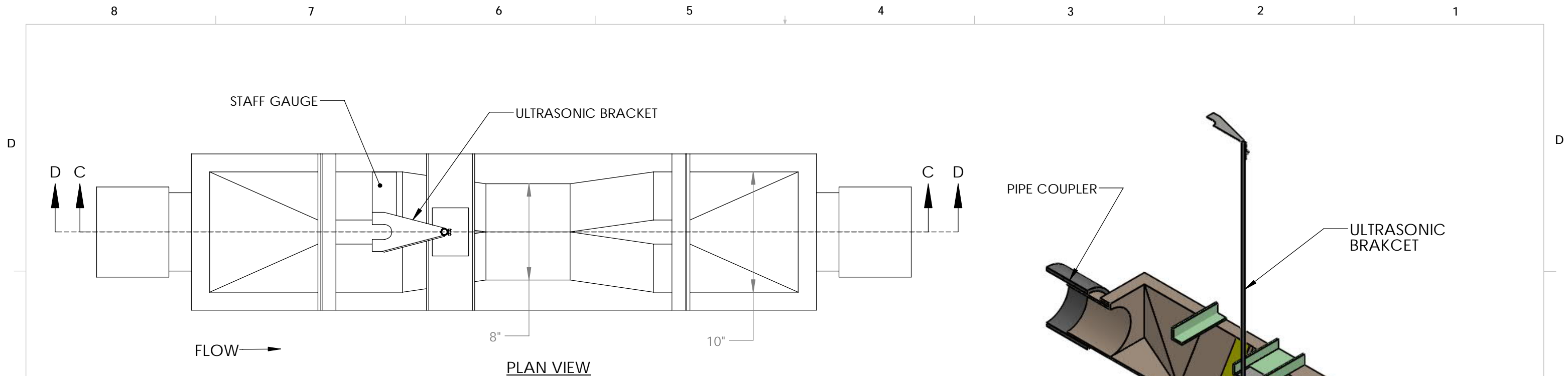
A


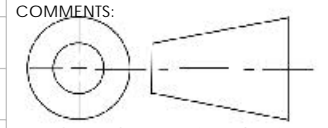
A

PROPRIETARY AND CONFIDENTIAL
 THE INFORMATION CONTAINED IN THIS DRAWING IS THE SOLE PROPERTY OF Virtual Polymer Compounds, LLC. ANY REPRODUCTION IN PART OR AS A WHOLE WITHOUT THE WRITTEN PERMISSION OF Virtual Polymer Compounds, LLC IS PROHIBITED.

UNLESS OTHERWISE SPECIFIED:		NAME	DATE	 VPC 10478 Ridge Rd., Medina NY 14103 Toll Free: 888-290-9522 Phone: 585-735-9668
DIMENSIONS ARE IN INCHES TOLERANCES: FRACTIONAL ± ANGULAR: MACH ± BEND ± TWO PLACE DECIMAL ± THREE PLACE DECIMAL ±		DRAWN	LVR 12/16/2020	
INTERPRET GEOMETRIC TOLERANCING PER:		CHECKED		
MATERIAL POLYESTER RESIN FINISH		ENG APPR.		
DO NOT SCALE DRAWING		MFG APPR.		TITLE: LARGE TRAPEZOIDAL FLUME
		Q.A.		Project: WITH OPTIONS
		COMMENTS:		SIZE B
		 3rd ANGLE PROJECTION		DWG. NO.
				REV A
				SCALE: 1:8 Weight 27.87 SHEET 4 OF 5

8 7 6 5 4 3 2 1



UNLESS OTHERWISE SPECIFIED:		NAME	DATE	 VPC 10478 Ridge Rd., Medina NY 14103 Toll Free: 888-290-9522 Phone: 585-735-9668
DIMENSIONS ARE IN INCHES TOLERANCES: FRACTIONAL ± ANGULAR: MACH ± BEND ± TWO PLACE DECIMAL ± THREE PLACE DECIMAL ±		DRAWN	LVR 12/16/2020	
INTERPRET GEOMETRIC TOLERANCING PER:		CHECKED		TITLE: LARGE TRAPEZOIDAL FLUME
MATERIAL POLYESTER RESIN FINISH		ENG APPR.		Project: WITH OPTIONS
DO NOT SCALE DRAWING		MFG APPR.		SIZE B
PROPRIETARY AND CONFIDENTIAL THE INFORMATION CONTAINED IN THIS DRAWING IS THE SOLE PROPERTY OF Virtual Polymer Compounds, LLC. ANY REPRODUCTION IN PART OR AS A WHOLE WITHOUT THE WRITTEN PERMISSION OF Virtual Polymer Compounds, LLC IS PROHIBITED.		Q.A.		DWG. NO.
		COMMENTS:	 3rd ANGLE PROJECTION	REV A
				SCALE: 1:8 Weight 27.87 SHEET 5 OF 5