

8

7

6

5

4

3

2

1

F

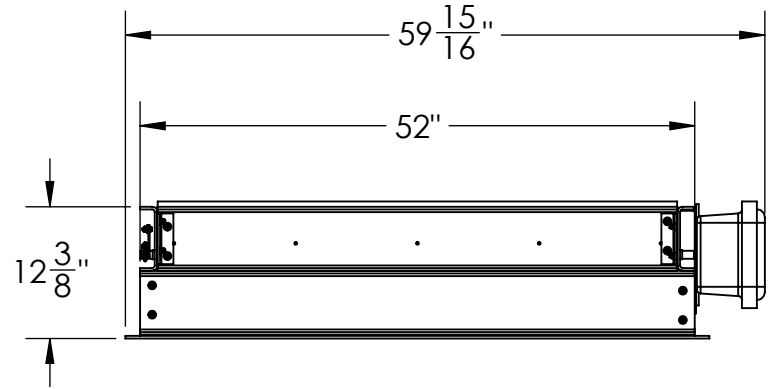
E

D

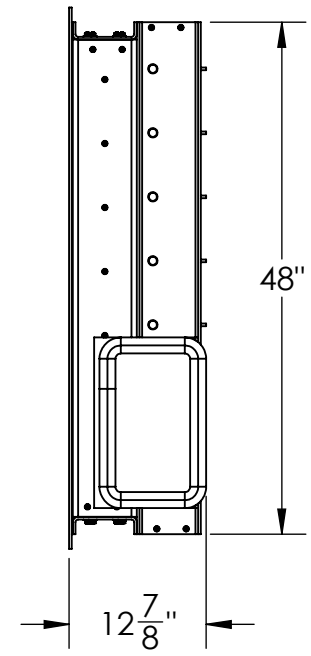
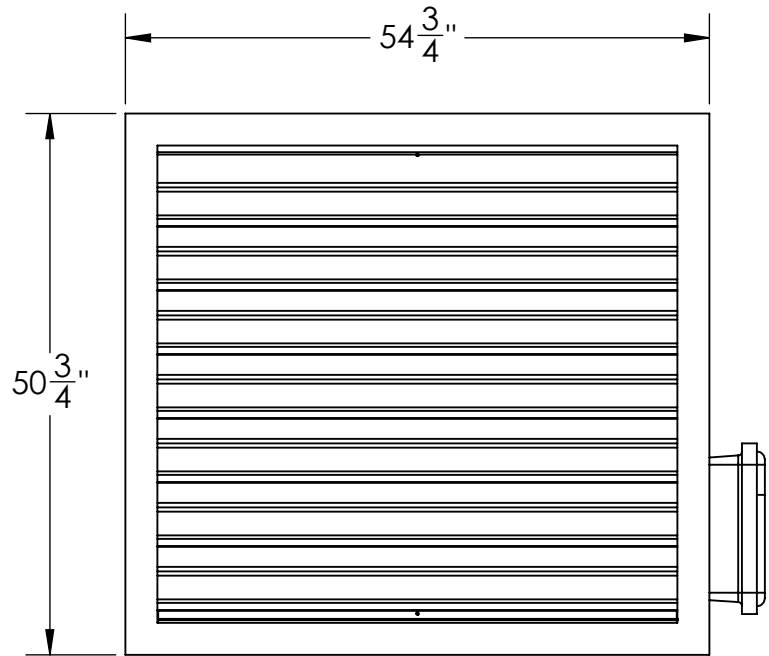
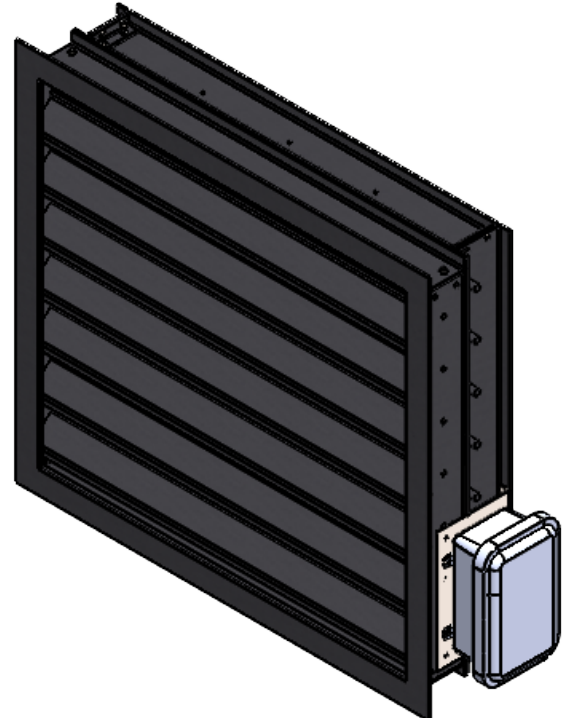
C

B

A



- NOTES:
- PULTRUDED CHANNEL FRAME CONSTRUCTION
 - 316SS HARDWARE AND MOTOR PLATE
 - OPEN OR CLOSE ON POWER-LOSS AVAILABLE



PROPRIETARY AND CONFIDENTIAL
 THE INFORMATION CONTAINED IN THIS DRAWING IS THE SOLE PROPERTY OF VIRTUAL POLYMER COMPOUNDS. ANY REPRODUCTION IN PART OR AS A WHOLE WITHOUT THE WRITTEN PERMISSION OF VIRTUAL POLYMER COMPOUNDS IS PROHIBITED.

		UNLESS OTHERWISE SPECIFIED:	NAME	DATE
		DIMENSIONS ARE IN INCHES	DRAWN	CD
		TOLERANCES:	CHECKED	---
		FRACTIONAL: ±	ENG APPR.	---
		ANGULAR: MACH ± BEND ±	MFG APPR.	---
		TWO PLACE DECIMAL ±	Q.A.	---
		THREE PLACE DECIMAL ±	COMMENTS:	
NEXT ASSY	USED ON	INTERPRET GEOMETRIC TOLERANCING PER:		
		MATERIAL:		
		FINISH:		
APPLICATION		DO NOT SCALE DRAWING		

CFT COMPOSITE FAN TECHNOLOGY

TITLE:
52" X 48" LOUVER DAMPER GENERAL ASSEMBLY DRAWING

SIZE	DWG. NO.	REV
B		-

SCALE: WEIGHT: SHEET 1 OF 2

8

7

6

5

4

3

2

1

F

E

D

C

B

A

8

7

6

5

4

3

2

1

F

F

E

E

D

D

C

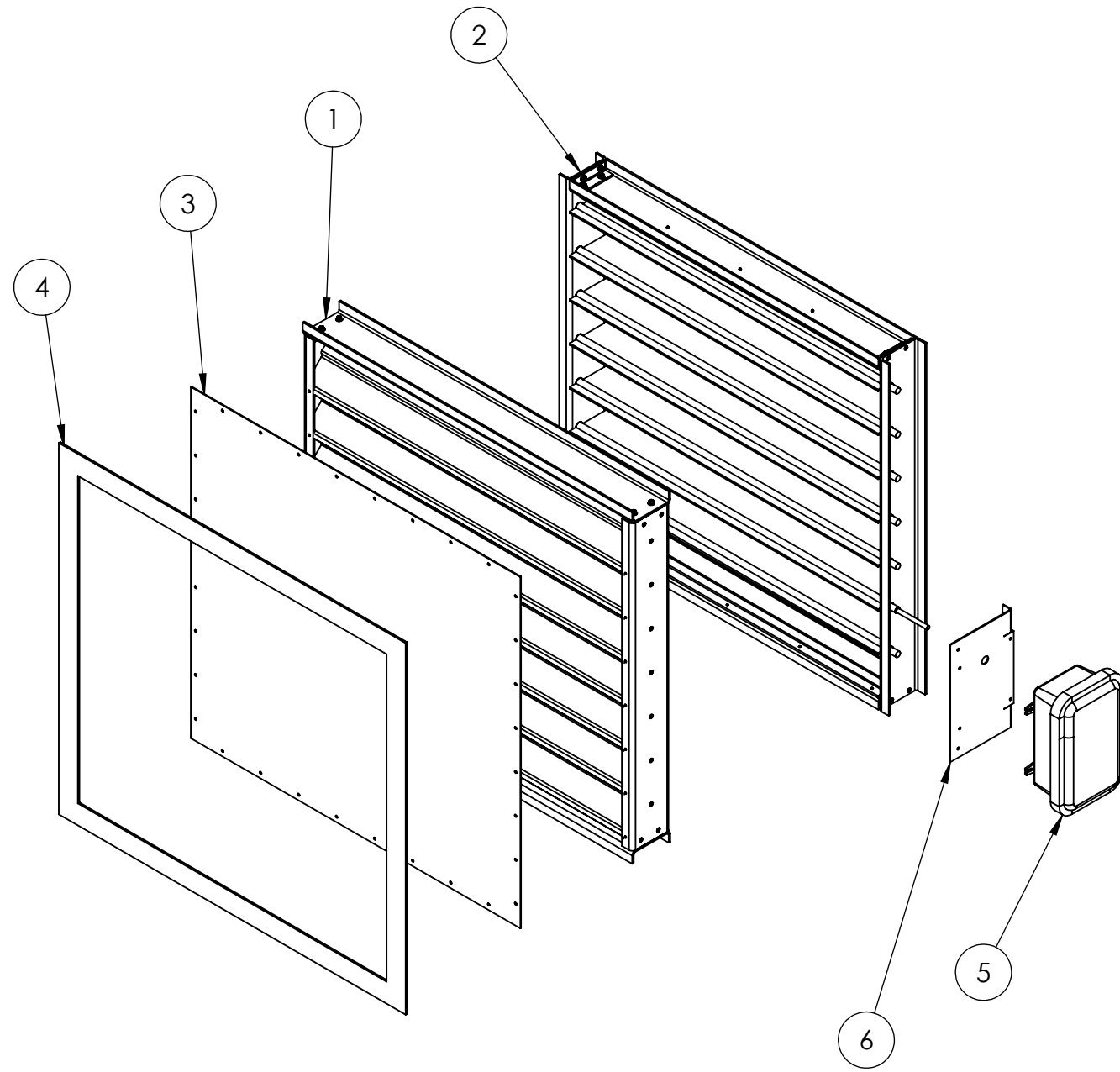
C

B

B

A

A



ITEM NO.	DESCRIPTION
1	FIXED BLADE LOUVER
2	MOTORIZED DAMPER
3	BUG SCREEN
4	FLANGE ADAPTER
5	MOTORIZED ACTUATOR
6	MOTOR MOUNTING PLATE

PROPRIETARY AND CONFIDENTIAL
 THE INFORMATION CONTAINED IN THIS DRAWING IS THE SOLE PROPERTY OF VIRTUAL POLYMER COMPOUNDS. ANY REPRODUCTION IN PART OR AS A WHOLE WITHOUT THE WRITTEN PERMISSION OF VIRTUAL POLYMER COMPOUNDS IS PROHIBITED.

UNLESS OTHERWISE SPECIFIED:		NAME	DATE
DIMENSIONS ARE IN INCHES		DRAWN	CD 3/25/2021
TOLERANCES:		CHECKED	---
FRACTIONAL ±		ENG APPR.	---
ANGULAR: MACH ± BEND ±		MFG APPR.	---
TWO PLACE DECIMAL ±		Q.A.	---
THREE PLACE DECIMAL ±		COMMENTS:	
INTERPRET GEOMETRIC TOLERANCING PER:			
MATERIAL:			
FINISH:			
NEXT ASSY	USED ON		
APPLICATION			
DO NOT SCALE DRAWING			

CFT COMPOSITE FAN TECHNOLOGY

TITLE:
52" X 48" LOUVER DAMPER GENERAL ASSEMBLY DRAWING

SIZE	DWG. NO.	REV
B		-

SCALE: WEIGHT: SHEET 2 OF 2

8

7

6

5

4

3

2

1