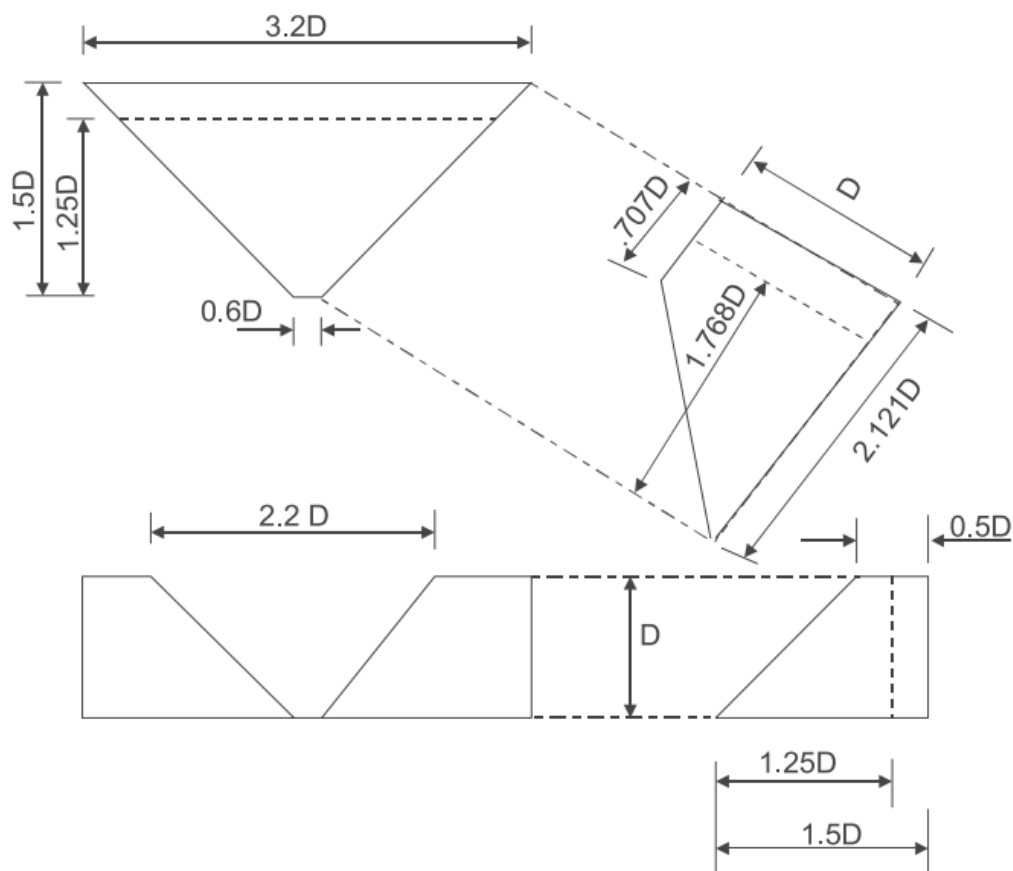


# HL FLUME FLOW CHART



Depth "D"	D	.2D	.5D	.707D	1.25D	1.5D	1.768D	2.121D	2.2D	3.2D
Feet	Feet	Feet	Feet	Feet	Feet	Feet	Feet	Feet	Feet	Feet
2.00	2.00	0.40	0.20	1.414	2.500	3.00	3.536	4.2420	4.40	6.40
2.50	2.50	0.50	0.25	1.768	3.125	3.75	4.420	5.3025	5.50	8.00
3.00	3.00	0.60	0.30	2.121	3.750	4.50	5.304	6.3630	6.60	9.60
3.50	3.50	0.70	0.35	2.475	4.375	5.25	6.188	7.4235	7.70	11.20
4.00	4.00	0.80	0.40	2.828	5.000	6.00	7.072	8.4840	8.80	12.80