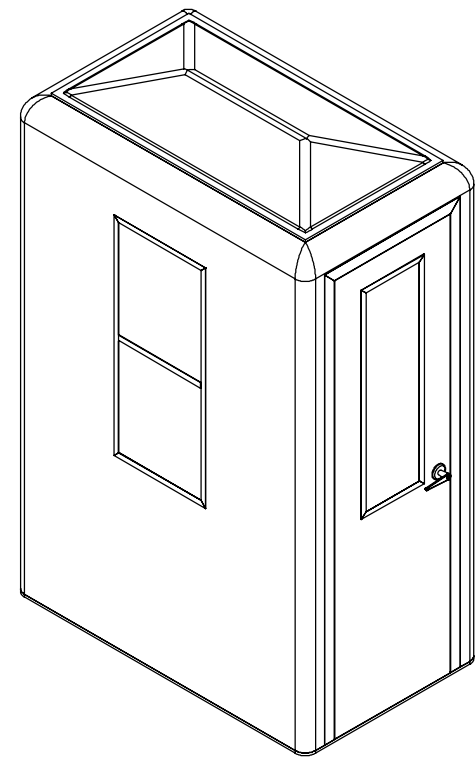
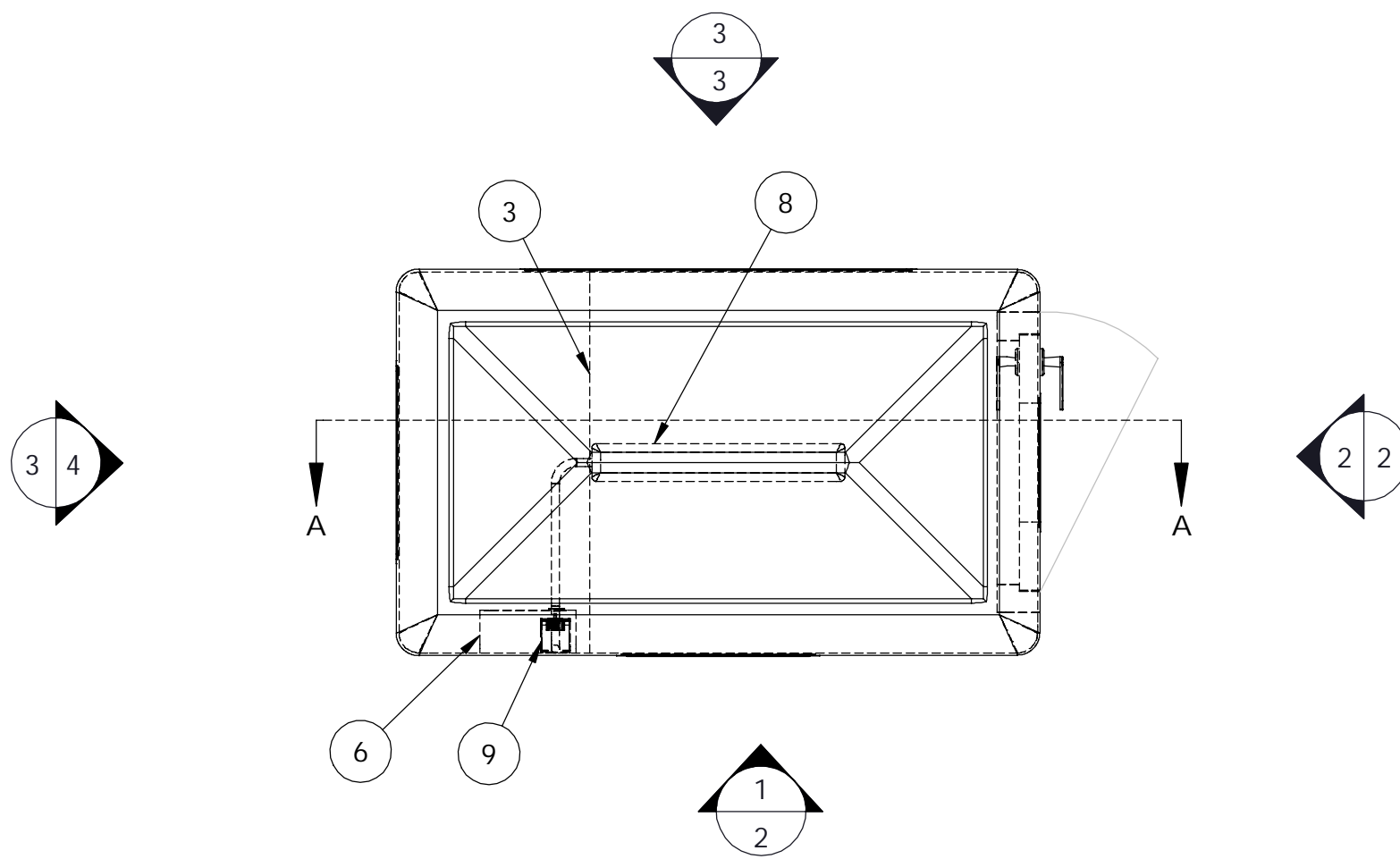
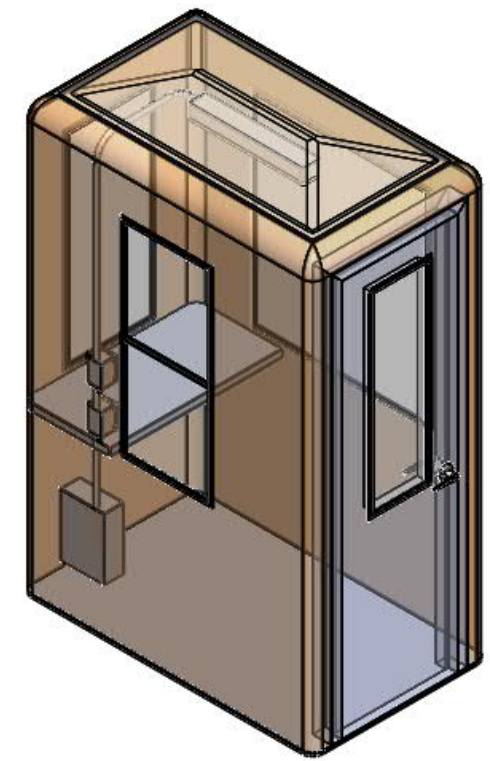


ITEM NO.	PART NUMBER	DESCRIPTION	QTY.
1	FRP DOOR - 28X84	28" X 84" FRP DOOR	1
2	VP00000383	LEVER LOCKSET - SATIN CHROME	1
3	E-COUNTER	FRP COUNTERTOP	1
4	WINDOW 18" X 42"	18 X 42 WINDOW	1
5	WINDOW 36" X 42"	36 X 42 WINDOW	1
6	VPC100A Load Center	100A MAIN LUG LOAD CENTER	1
7	VPC20AGFCI-ASSY	20A DUPLEX RECEPTACLE	1
8	VP00000328	2FT LED LIGHT	1
9	VPCLHTSW-interior	INTERIOR LIGHT SWITCH - 1G	1
10	WINDOW 18" X 42"-LIFT	18 X 42 LIFT SLIDER WINDOW	1



ISOMETRIC VIEW
(SCALE 1:28)

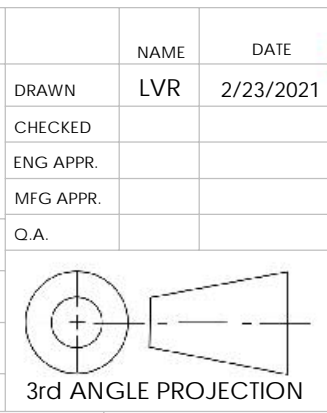


ISOMETRIC VIEW - TRANSPARENT
(SCALE 1:28)

- NOTES:
- 1) EXTERIOR GEL COAT COLOR TO BE WHITE. (OTHER COLORS AVAILABLE.)
 - 2) INTERIOR GAL COAT COLOR TO BE WHITE. (OTHER COLORS AVAILABLE.)
 - 3) SHELTER CONSTRUCTED USING A CLASS 1 FIRE RESISTANT RESIN, FLAME SPREAD <25.
 - 4) PANELS CONSTRUCTED WITH A NOMINAL 1/4" CHOPPED GLASS LAMINATE.
 - 5) FLOORING COSTRUCTED WITH 3/4" PLYWOOD WITH SIDES AND BOTTOM PROTECTED. INTERIOR FLOOR TO SLIP RESISTANT.
 - 6) UNIT SHIPPED PREASSEMBLED AND PREWIRED PER N.E.C. CODES.
 - 7) SHELTER MEETS OR EXCEEDS THE VALUES LISTED.
WIND PRESSURE EQUAL TO 110MPH 27PSF
LIVE LOAD ON FLOORING 50PSF
SNOW LOAD 40PSF
DEAD LOAD 40PSF
WIND UPLIFT LOAD 27PSF

PROPRIETARY AND CONFIDENTIAL
THE INFORMATION CONTAINED IN THIS DRAWING IS THE SOLE PROPERTY OF VIRTUAL POLYMER COMPOUNDS, LLC. ANY REPRODUCTION IN PART OR AS A WHOLE WITHOUT THE WRITTEN PERMISSION OF VIRTUAL POLYMER COMPOUNDS, LLC IS PROHIBITED.

UNLESS OTHERWISE SPECIFIED:	NAME	DATE
DIMENSIONS ARE IN INCHES	DRAWN	LVR 2/23/2021
TOLERANCES:	CHECKED	
FRACTIONAL ±	ENG APPR.	
ANGULAR: MACH ± BEND ±	MFG APPR.	
TWO PLACE DECIMAL ±	Q.A.	
THREE PLACE DECIMAL ±		



VPC FIBERGLASS 10478 Ridge Rd., Medina NY 14103
Toll Free: 888-290-9522 Phone: 585-735-9668

TITLE: ECHOTECH SHELTER

Project: ECHOTECH SHELTER

SIZE	DWG. NO.	REV
B		A

SCALE: 1:16 Weight 532.19 SHEET 1 OF 3

DO NOT SCALE DRAWING

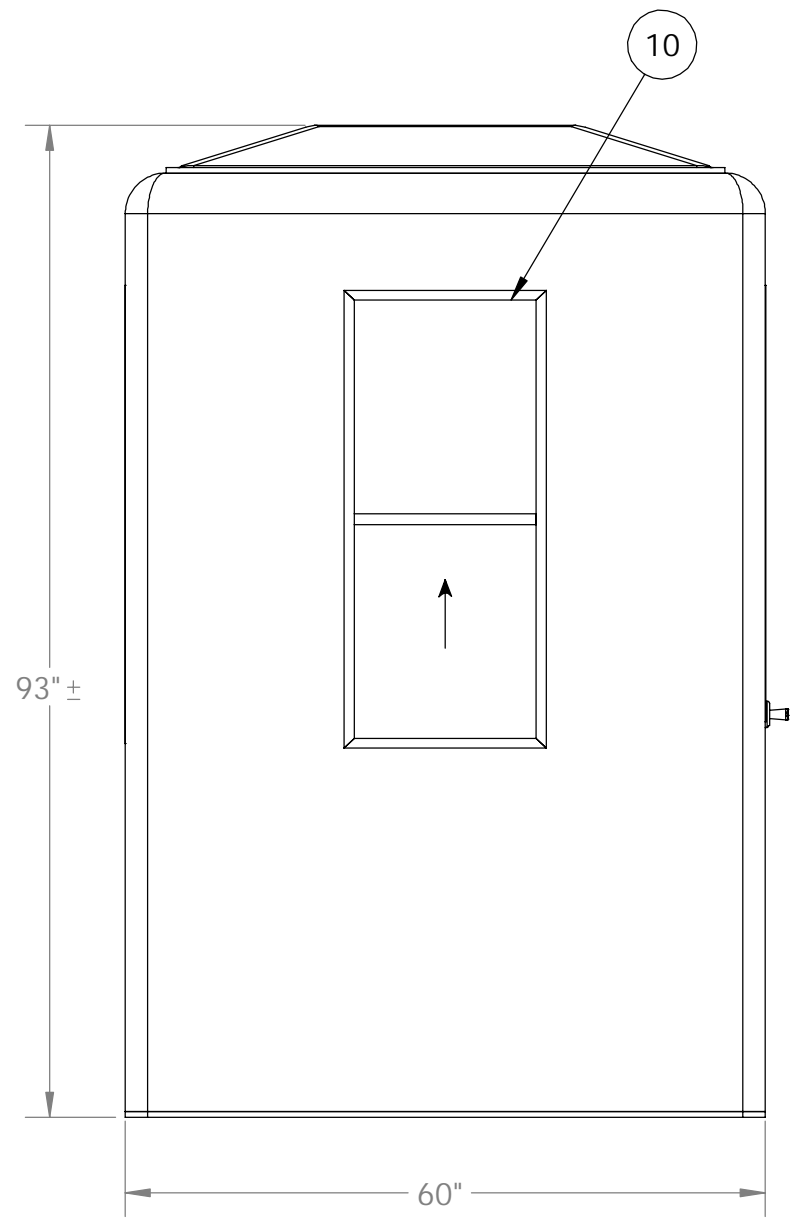
8 7 6 5 4 3 2 1

D

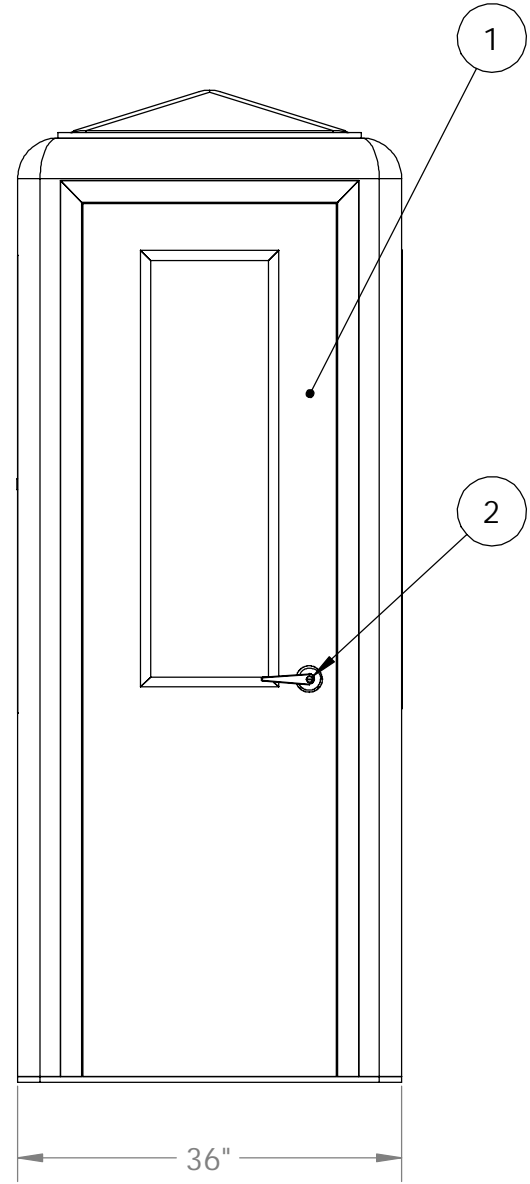
C

B

A



1 FRONT ELEVATION



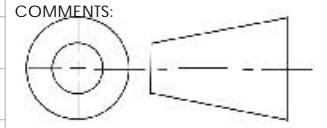
2 RIGHT SIDE ELEVATION

PROPRIETARY AND CONFIDENTIAL
 THE INFORMATION CONTAINED IN THIS
 DRAWING IS THE SOLE PROPERTY OF
 Virtual Polymer Compounds, LLC. ANY
 REPRODUCTION IN PART OR AS A WHOLE
 WITHOUT THE WRITTEN PERMISSION OF
 Virtual Polymer Compounds, LLC IS
 PROHIBITED.

UNLESS OTHERWISE SPECIFIED:		NAME	DATE
DIMENSIONS ARE IN INCHES	DRAWN	LVR	2/23/2021
TOLERANCES:	CHECKED		
FRACTIONAL ±	ENG APPR.		
ANGULAR: MACH ± BEND ±	MFG APPR.		
TWO PLACE DECIMAL ±	Q.A.		
THREE PLACE DECIMAL ±	COMMENTS:		
INTERPRET GEOMETRIC TOLERANCING PER:			
MATERIAL			
POLYESTER RESIN			
FINISH			
DO NOT SCALE DRAWING			

TITLE:		ECHOTECH SHELTER	
Project:		ECHOTECH SHELTER	
SIZE	DWG. NO.	REV	
B		A	
SCALE: 1:18		Weight 532.19	SHEET 2 OF 3

VPC 10478 Ridge Rd.,
 Medina NY 14103
 FIBERGLASS Phone: 888-290-9522
 585-735-9668



3rd ANGLE PROJECTION

8 7 6 5 4 3 2 1

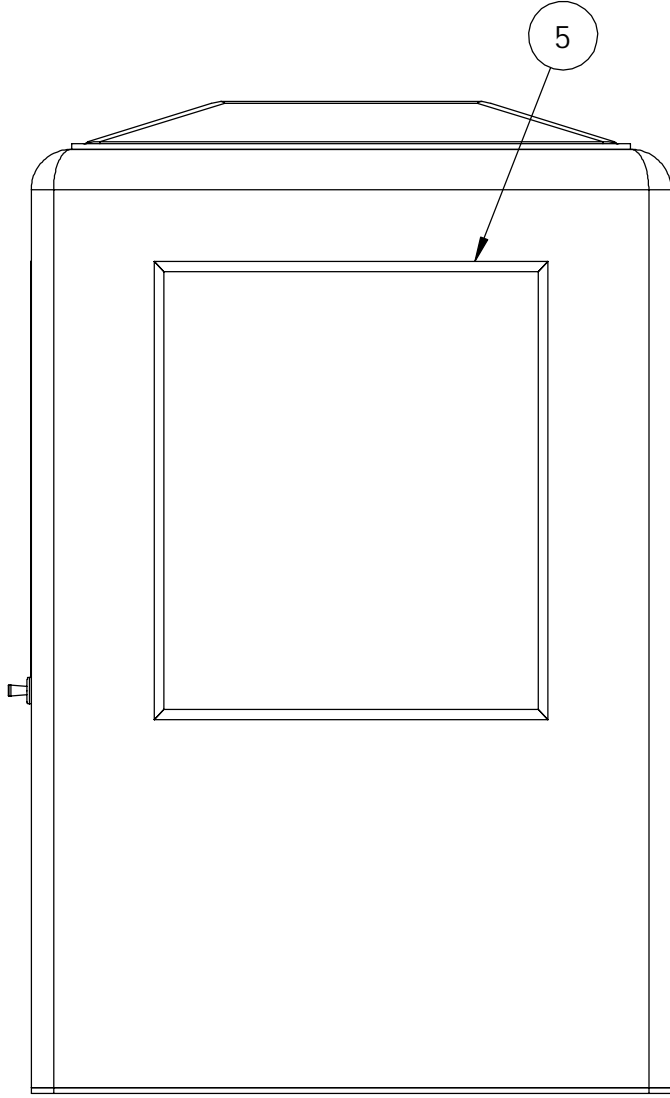
8 7 6 5 4 3 2 1

D

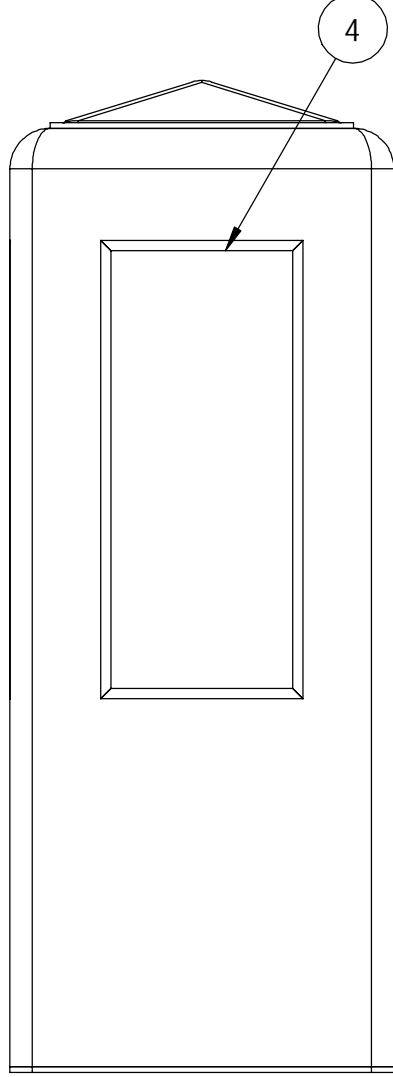
C

B

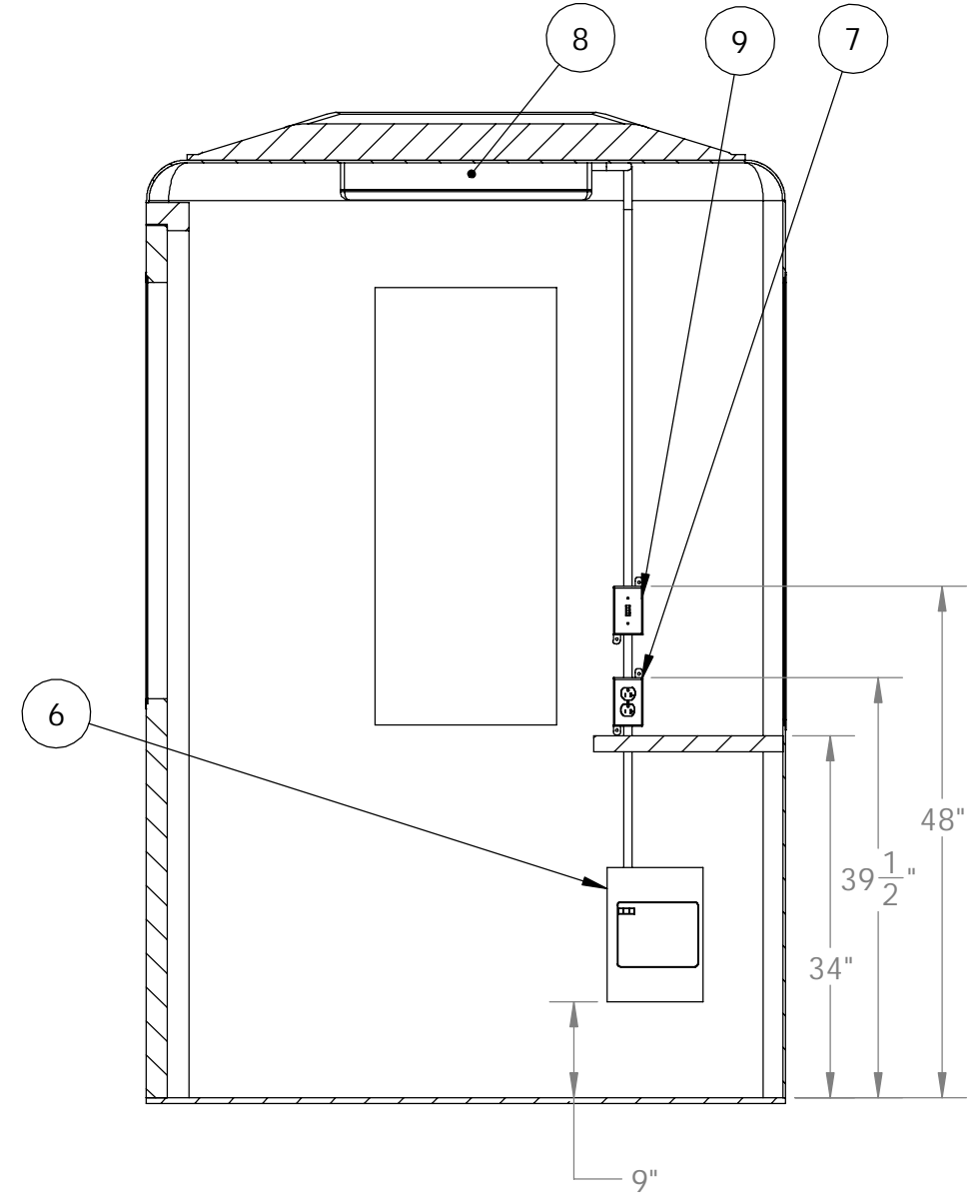
A




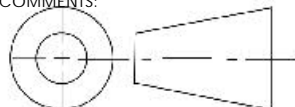
3 REAR ELEVATION



4 LEFT SIDE ELEVATION



SECTION A-A

UNLESS OTHERWISE SPECIFIED:		NAME	DATE	 VPC 10478 Ridge Rd., Medina NY 14103 Toll Free: 888-290-9522 Phone: 585-735-9668
DIMENSIONS ARE IN INCHES TOLERANCES: FRACTIONAL ± ANGULAR: MACH ± BEND ± TWO PLACE DECIMAL ± THREE PLACE DECIMAL ±		DRAWN	LVR 2/23/2021	
INTERPRET GEOMETRIC TOLERANCING PER:		CHECKED		
MATERIAL POLYESTER RESIN FINISH		ENG APPR.		
DO NOT SCALE DRAWING		MFG APPR.		TITLE: ECHOTECH SHELTER Project: ECHOTECH SHELTER SIZE DWG. NO. REV B SCALE: 1:18 Weight 532.19 SHEET 3 OF 3
PROPRIETARY AND CONFIDENTIAL THE INFORMATION CONTAINED IN THIS DRAWING IS THE SOLE PROPERTY OF Virtual Polymer Compounds, LLC. ANY REPRODUCTION IN PART OR AS A WHOLE WITHOUT THE WRITTEN PERMISSION OF Virtual Polymer Compounds, LLC IS PROHIBITED.		COMMENTS:  3rd ANGLE PROJECTION		

8 7 6 5 4 3 2 1