
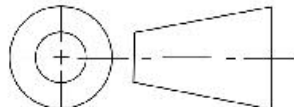
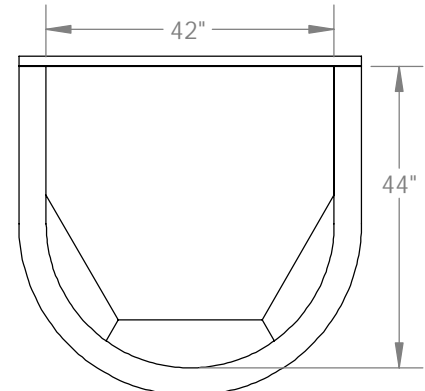
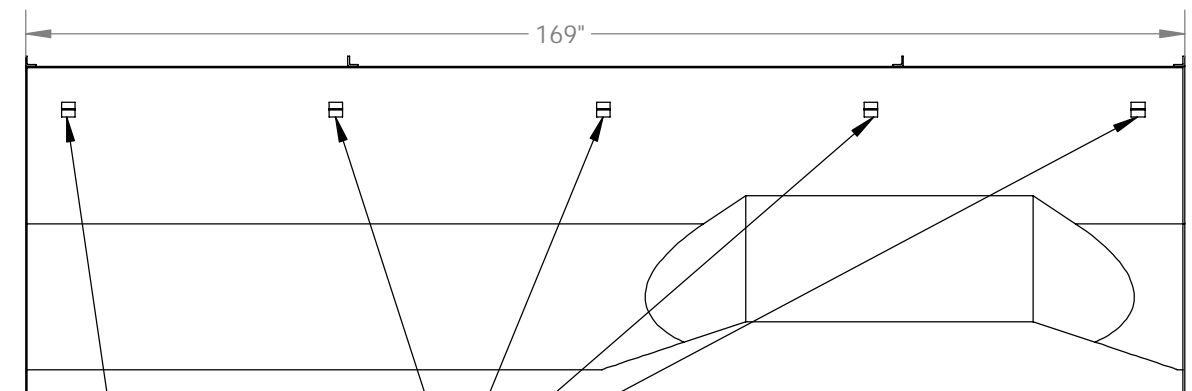
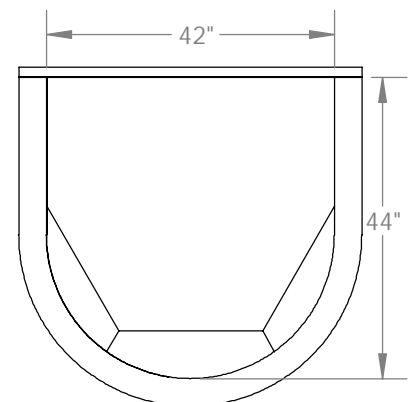
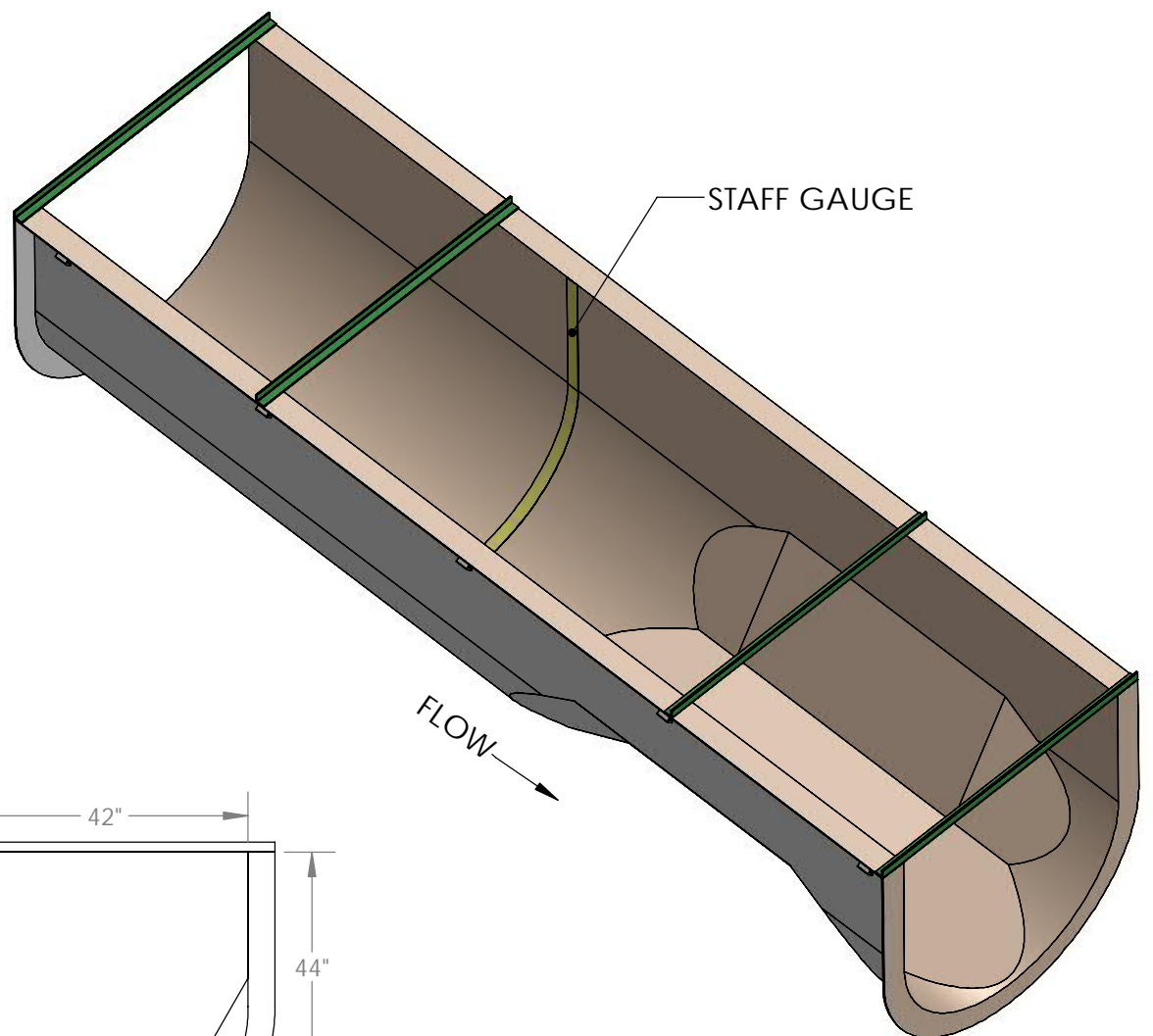
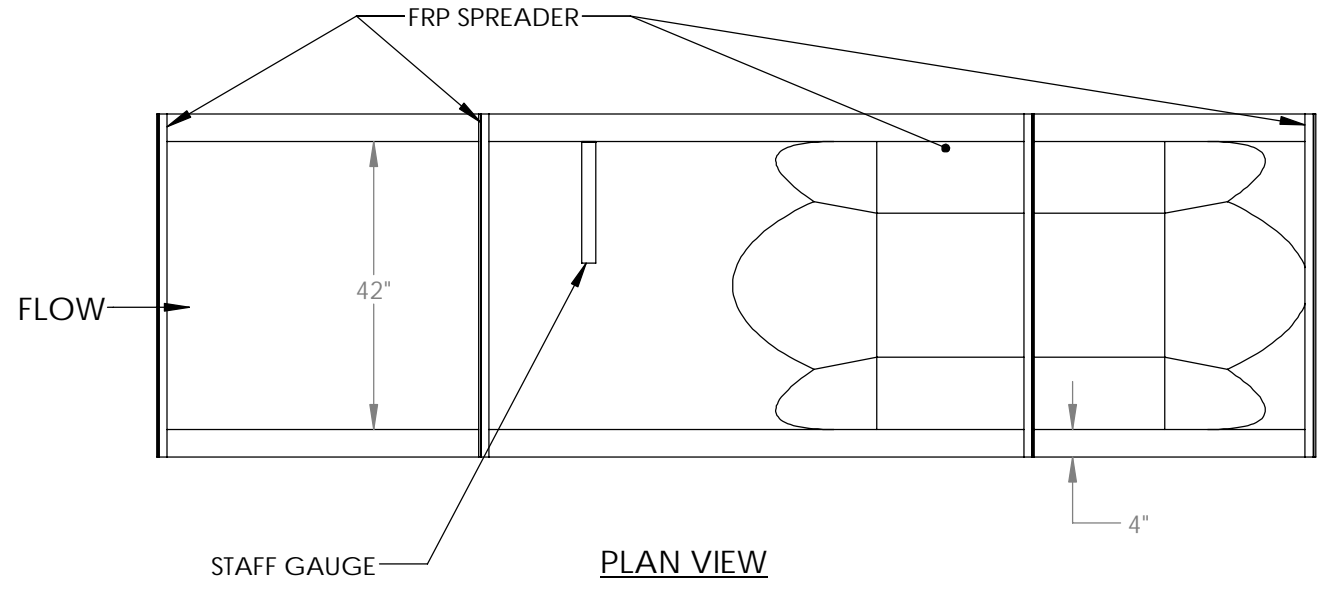


- AVAILABLE OPTIONS:
- STAFF GAUGE (ENGLISH OR METRIC).
  - STILLING WELL (INTEGRAL OR REMOTE).
  - BUBBLER TUBE (SS 1/4" ID, INTEGRAL OR REMOVABLE).
  - SAMPLER TUBE (SS 3/8" ID, INTEGRAL OR REMOVABLE).
  - INLET AND OUTLET PIPE STUBS.
  - FLARED INLET AND OUTLET TRANSITIONS PIPE STUBS.
  - INLET AND OUTLET BULKHEADS.
  - RUBBER PIPE COUPLERS W/ SS CLAMP BANDS.
  - ADJUSTABLE SS ULTRASONIC BRACKET.
  - PH PROBE CAVITY.
  - ENERGY ABSORBING RACKS. (FIXED OR REMOVABLE).
  - STANDARD OR SPECIAL DEPTHS (INCLUDING SURGE BOXES).
  - FLUME COVERS (GRATING, FIBER SHEETING, CLEAR POLYCARBONATE).
  - CUT BACK DESIGN.
  - INSERT DESIGN.
  - SPECIAL DESIGN (TO MEET SPECIAL PROJECT NEEDS).
  - STANDARD COLOR IS BEIGE (CUSTOM COLORS AVAILABLE).

?


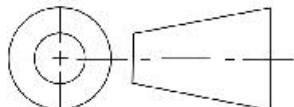
UNLESS OTHERWISE SPECIFIED:		NAME	DATE	 <b>VPC</b> FIBERGLASS 10478 Ridge Rd., Medina NY 14103 Toll Free: 888-290-9522 Phone: 585-735-9668
DIMENSIONS ARE IN INCHES TOLERANCES: FRACTIONAL ± ANGULAR: MACH ± BEND ± TWO PLACE DECIMAL ± THREE PLACE DECIMAL ±		DRAWN	LVR	
PROPRIETARY AND CONFIDENTIAL THE INFORMATION CONTAINED IN THIS DRAWING IS THE SOLE PROPERTY OF VIRTUAL POLYMER COMPOUNDS, LLC. ANY REPRODUCTION IN PART OR AS A WHOLE WITHOUT THE WRITTEN PERMISSION OF VIRTUAL POLYMER COMPOUNDS, LLC IS PROHIBITED.		CHECKED		TITLE:
		ENG APPR.		42 IN PALMER BOWLUS FLUME
		MFG APPR.		Project:
INTERPRET GEOMETRIC TOLERANCING PER:		Q.A.		WITH OPTIONS
MATERIAL POLYESTER RESIN FINISH		 3rd ANGLE PROJECTION		SIZE
DO NOT SCALE DRAWING				B
				SCALE: 1:22 Weight 302.88 SHEET 1 OF 5

8 7 6 5 4 3 2 1



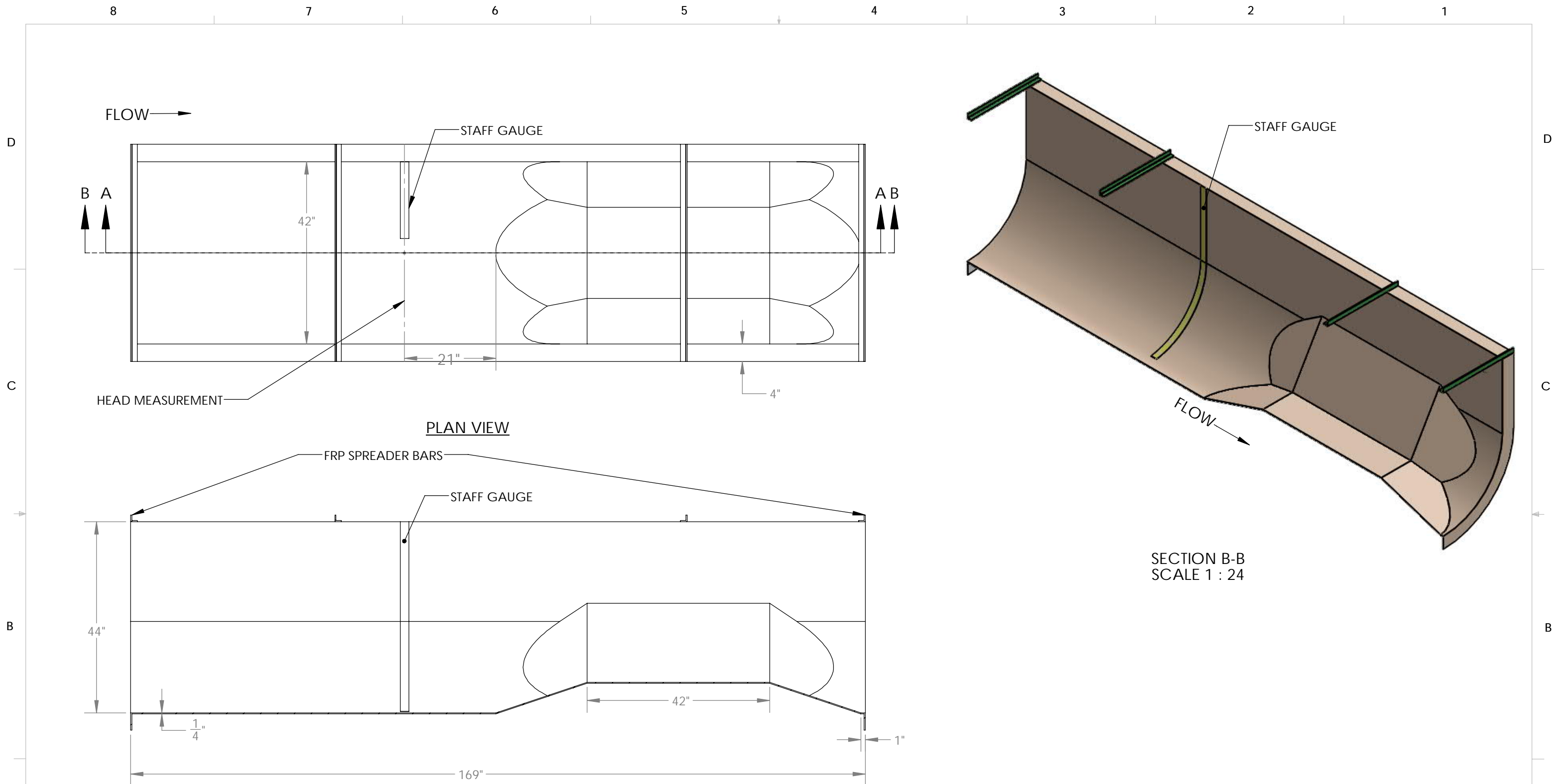
- NOTES:
- 1) INTERIOR GEL COAT COLOR TO BE BEIGE.
  - 2) EXTERIOR GEL COAT COLOR TO BE WHITE.
  - 3) NOMINAL MATERIAL THICKNESS = 1/4".


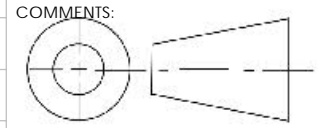
A

UNLESS OTHERWISE SPECIFIED:		NAME	DATE	 <b>VPC FIBERGLASS</b> 10478 Ridge Rd., Medina NY 14103 Toll Free: 888-290-9522 Phone: 585-735-9668	
DIMENSIONS ARE IN INCHES		DRAWN	LVR		12/2/2020
TOLERANCES:		CHECKED			
FRACTIONAL ±		ENG APPR.			
ANGULAR: MACH ± BEND ±		MFG APPR.			
TWO PLACE DECIMAL ±		Q.A.			
THREE PLACE DECIMAL ±				TITLE: 42 IN PALMER BOWLUS FLUME	
INTERPRET GEOMETRIC TOLERANCING PER:				Project: WITHOUT OPTIONS	
MATERIAL FINISH				SCALE: 1:28 Weight 191.86 SHEET 2 OF 5	
DO NOT SCALE DRAWING		 3rd ANGLE PROJECTION		SIZE DWG. NO. REV <b>B</b>	

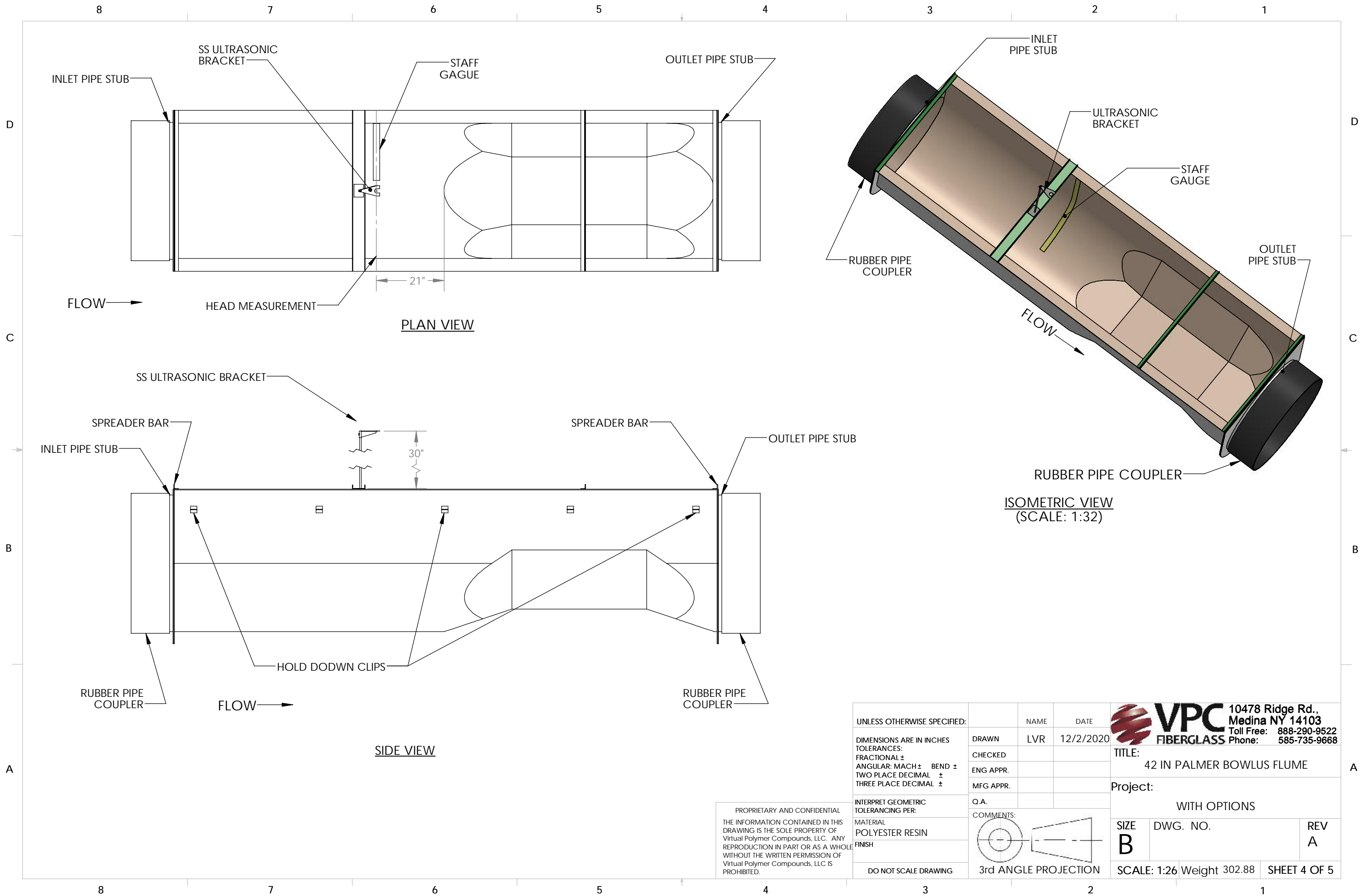
PROPRIETARY AND CONFIDENTIAL  
 THE INFORMATION CONTAINED IN THIS DRAWING IS THE SOLE PROPERTY OF VIRTUAL POLYMER COMPOUNDS, LLC. ANY REPRODUCTION IN PART OR AS A WHOLE WITHOUT THE WRITTEN PERMISSION OF VIRTUAL POLYMER COMPOUNDS, LLC IS PROHIBITED.


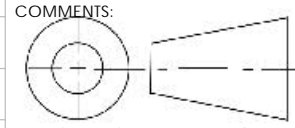
8 7 6 5 4 3 2 1



UNLESS OTHERWISE SPECIFIED:		NAME	DATE	 <b>VPC</b> 10478 Ridge Rd., Medina NY 14103 Toll Free: 888-290-9522 Phone: 585-735-9668	
DIMENSIONS ARE IN INCHES		DRAWN	LVR		12/2/2020
TOLERANCES:		CHECKED			
FRACTIONAL ±		ENG APPR.			
ANGULAR: MACH ±		MFG APPR.			
BEND ±		Q.A.			
TWO PLACE DECIMAL ±		COMMENTS:	 3rd ANGLE PROJECTION		
THREE PLACE DECIMAL ±					
INTERPRET GEOMETRIC TOLERANCING PER:					
MATERIAL		TITLE: 42 IN PALMER BOWLUS FLUME			
POLYESTER RESIN		Project: WITHOUT OPTIONS			
FINISH		SIZE	DWG. NO.	REV	
DO NOT SCALE DRAWING		<b>B</b>		<b>A</b>	
		SCALE: 1:22 Weight 191.86		SHEET 3 OF 5	

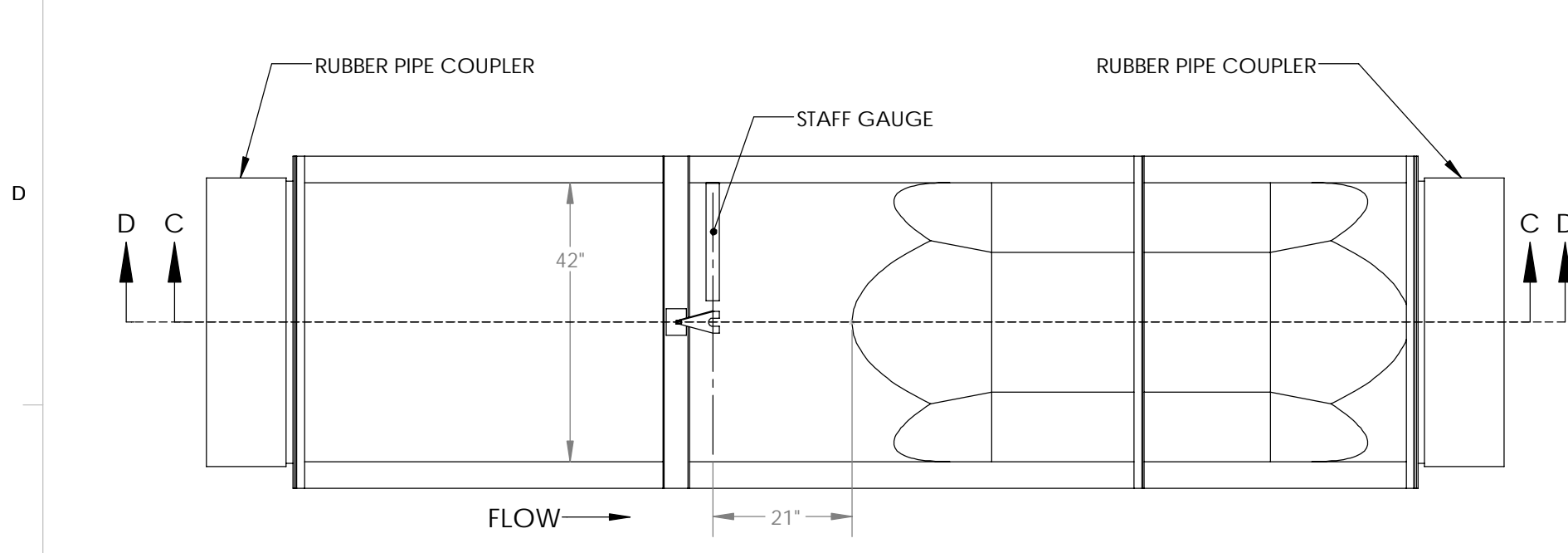
PROPRIETARY AND CONFIDENTIAL  
 THE INFORMATION CONTAINED IN THIS DRAWING IS THE SOLE PROPERTY OF Virtual Polymer Compounds, LLC. ANY REPRODUCTION IN PART OR AS A WHOLE WITHOUT THE WRITTEN PERMISSION OF Virtual Polymer Compounds, LLC IS PROHIBITED.



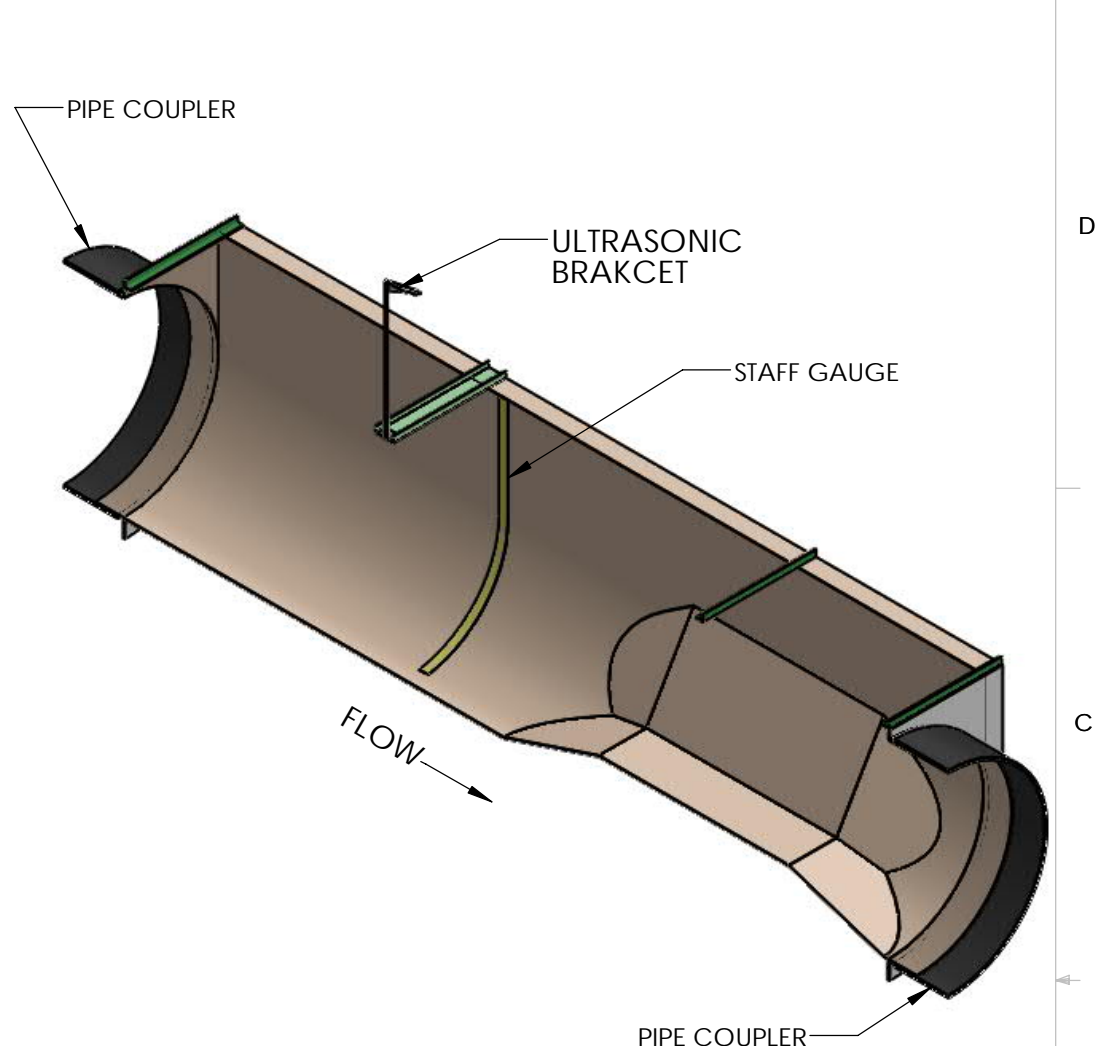
UNLESS OTHERWISE SPECIFIED:		NAME	DATE	 <b>VPC</b> 10478 Ridge Rd., Medina NY 14103 Toll Free: 888-290-9522 Phone: 585-735-9668
DIMENSIONS ARE IN INCHES TOLERANCES: FRACTIONAL ± ANGULAR: MACH ± BEND ± TWO PLACE DECIMAL ± THREE PLACE DECIMAL ±		DRAWN	LVR 12/2/2020	
INTERPRET GEOMETRIC TOLERANCING PER:		CHECKED		TITLE: 42 IN PALMER BOWLUS FLUME
MATERIAL POLYESTER RESIN FINISH		ENG APPR.		Project: WITH OPTIONS
DO NOT SCALE DRAWING		MFG APPR.		SIZE <b>B</b>
PROPRIETARY AND CONFIDENTIAL THE INFORMATION CONTAINED IN THIS DRAWING IS THE SOLE PROPERTY OF Virtual Polymer Compounds, LLC. ANY REPRODUCTION IN PART OR AS A WHOLE WITHOUT THE WRITTEN PERMISSION OF Virtual Polymer Compounds, LLC IS PROHIBITED.		Q.A.		DWG. NO.
		COMMENTS:	 3rd ANGLE PROJECTION	REV A
				SCALE: 1:26 Weight 302.88 SHEET 4 OF 5



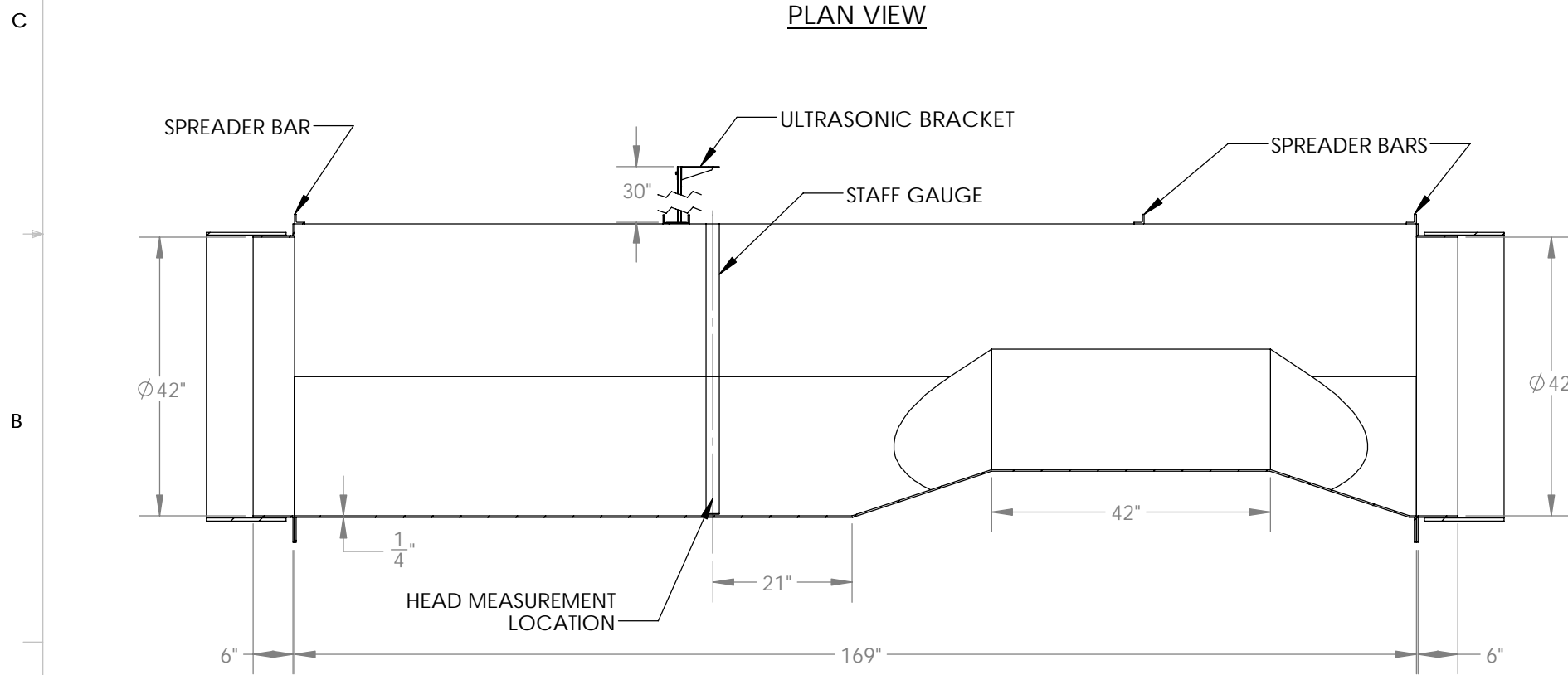
8 7 6 5 4 3 2 1



PLAN VIEW



SECTION D-D  
SCALE 1 : 30



SECTION C-C

UNLESS OTHERWISE SPECIFIED:	NAME	DATE
DIMENSIONS ARE IN INCHES	DRAWN	LVR 12/2/2020
TOLERANCES:	CHECKED	
FRACTIONAL ±	ENG APPR.	
ANGULAR: MACH ± BEND ±	MFG APPR.	
TWO PLACE DECIMAL ±	Q.A.	
THREE PLACE DECIMAL ±	COMMENTS:	
INTERPRET GEOMETRIC TOLERANCING PER:		
MATERIAL		
POLYESTER RESIN		
FINISH		
DO NOT SCALE DRAWING	3rd ANGLE PROJECTION	

PROPRIETARY AND CONFIDENTIAL  
THE INFORMATION CONTAINED IN THIS DRAWING IS THE SOLE PROPERTY OF Virtual Polymer Compounds, LLC. ANY REPRODUCTION IN PART OR AS A WHOLE WITHOUT THE WRITTEN PERMISSION OF Virtual Polymer Compounds, LLC IS PROHIBITED.

**VPC** 10478 Ridge Rd., Medina NY 14103  
Toll Free: 888-290-9522  
FIBERGLASS Phone: 585-735-9668

TITLE: 42 IN PALMER BOWLUS FLUME		
Project: WITH OPTIONS		
SIZE <b>B</b>	DWG. NO.	REV A
SCALE: 1:24	Weight 302.88	SHEET 5 OF 5

8 7 6 5 4 3 2 1