

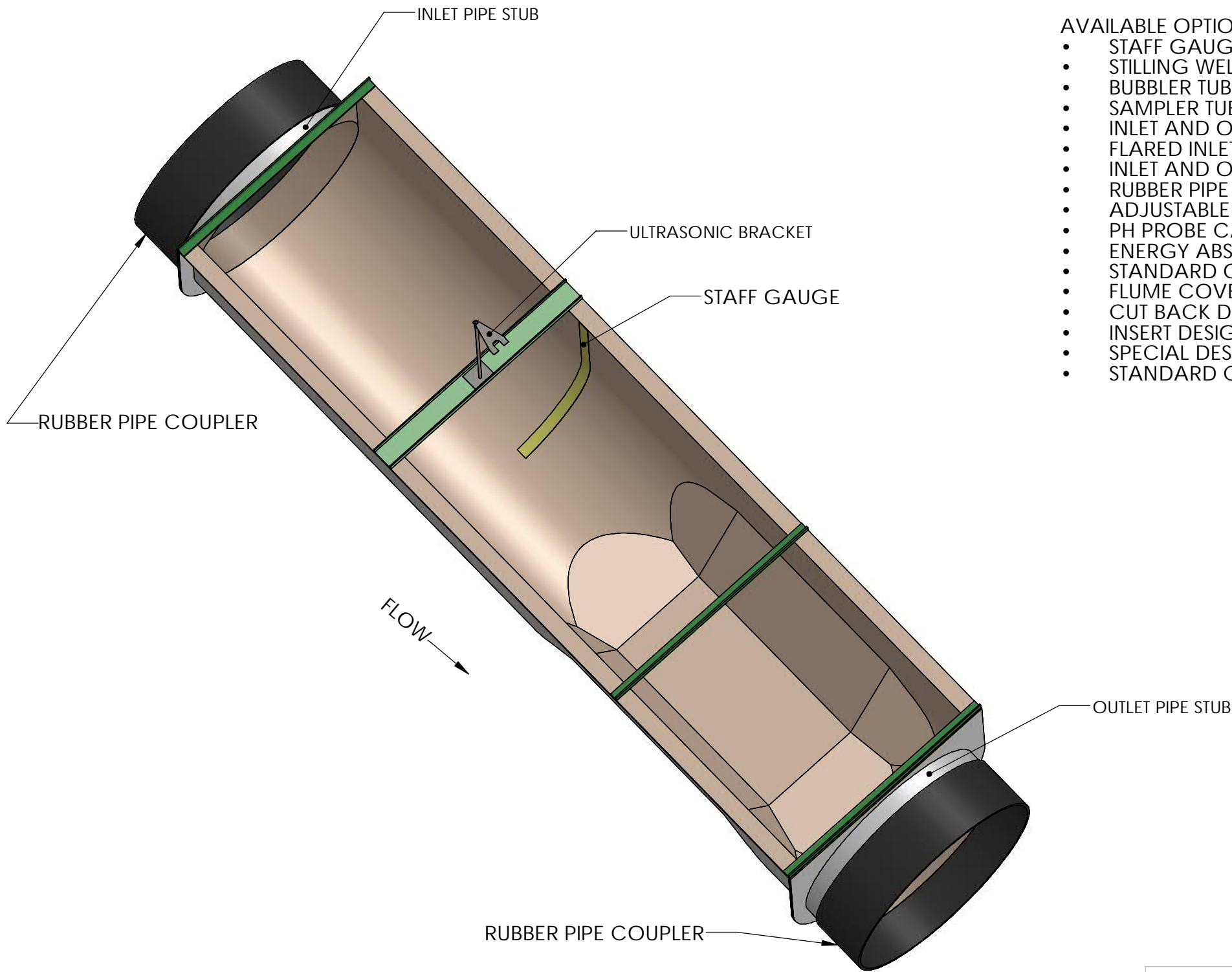
8 7 6 5 4 3 2 1

D

C

B

A



AVAILABLE OPTIONS:


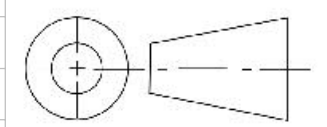
- STAFF GAUGE (ENGLISH OR METRIC).
- STILLING WELL (INTEGRAL OR REMOTE).
- BUBBLER TUBE (SS 1/4" ID, INTEGRAL OR REMOVABLE).
- SAMPLER TUBE (SS 3/8" ID, INTEGRAL OR REMOVABLE).
- INLET AND OUTLET PIPE STUBS.
- FLARED INLET AND OUTLET TRANSITIONS PIPE STUBS.
- INLET AND OUTLET BULKHEADS.
- RUBBER PIPE COUPLERS W/ SS CLAMP BANDS.
- ADJUSTABLE SS ULTRASONIC BRACKET.
- PH PROBE CAVITY.
- ENERGY ABSORBING RACKS. (FIXED OR REMOVABLE).
- STANDARD OR SPECIAL DEPTHS (INCLUDING SURGE BOXES).
- FLUME COVERS (GRATING, FIBER SHEETING, CLEAR POLYCARBONATE).
- CUT BACK DESIGN.
- INSERT DESIGN.
- SPECIAL DESIGN (TO MEET SPECIAL PROJECT NEEDS).
- STANDARD COLOR IS BEIGE (CUSTOM COLORS AVAILABLE).

D

C

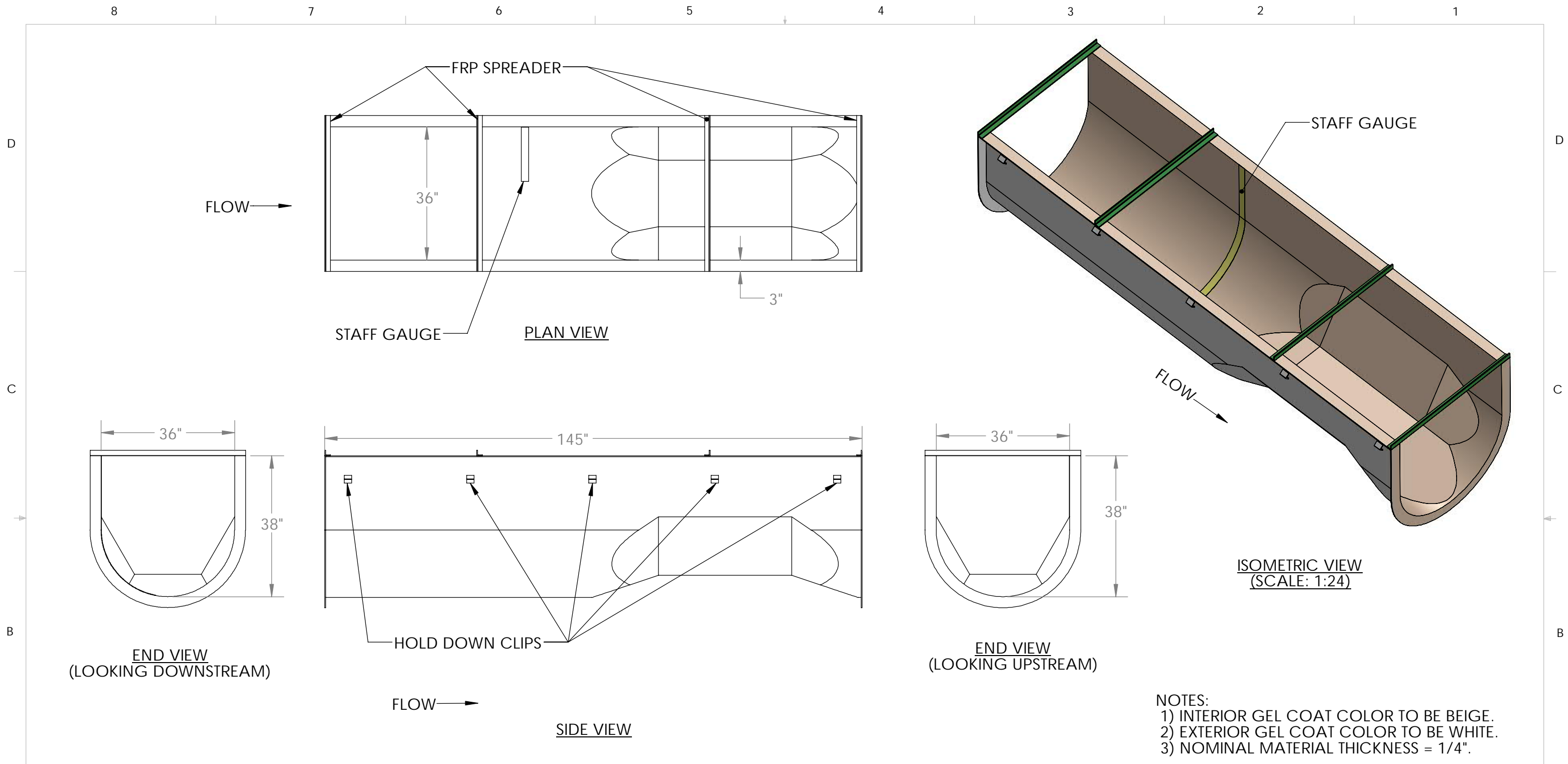
B

A

| | | | | | |
|--------------------------------------|--|--|----------|---|------------|
| UNLESS OTHERWISE SPECIFIED: | | NAME | DATE |  VPC FIBERGLASS 10478 Ridge Rd., Medina NY 14103 Toll Free: 888-290-9522 Phone: 585-735-9668 | |
| DIMENSIONS ARE IN INCHES | | DRAWN | LVR | | 10/12/2020 |
| TOLERANCES: | | CHECKED | | | |
| FRACTIONAL ± | | ENG APPR. | | | |
| ANGULAR: MACH ± BEND ± | | MFG APPR. | | | |
| TWO PLACE DECIMAL ± | | Q.A. | | | |
| THREE PLACE DECIMAL ± | | TITLE: 36 IN PALMER BOWLUS FLUME | | | |
| INTERPRET GEOMETRIC TOLERANCING PER: | | Project: WITH OPTIONS | | | |
| MATERIAL | | SIZE | DWG. NO. | REV | |
| POLYESTER RESIN | | B | | A | |
| FINISH | | SCALE: 1:20 Weight 223.08 | | SHEET 1 OF 5 | |
| DO NOT SCALE DRAWING | |  3rd ANGLE PROJECTION | | | |

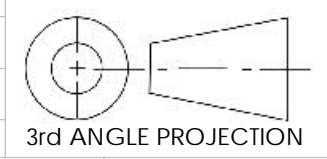
PROPRIETARY AND CONFIDENTIAL
 THE INFORMATION CONTAINED IN THIS DRAWING IS THE SOLE PROPERTY OF VIRTUAL POLYMER COMPOUNDS, LLC. ANY REPRODUCTION IN PART OR AS A WHOLE WITHOUT THE WRITTEN PERMISSION OF VIRTUAL POLYMER COMPOUNDS, LLC IS PROHIBITED.

8 7 6 5 4 3 2 1

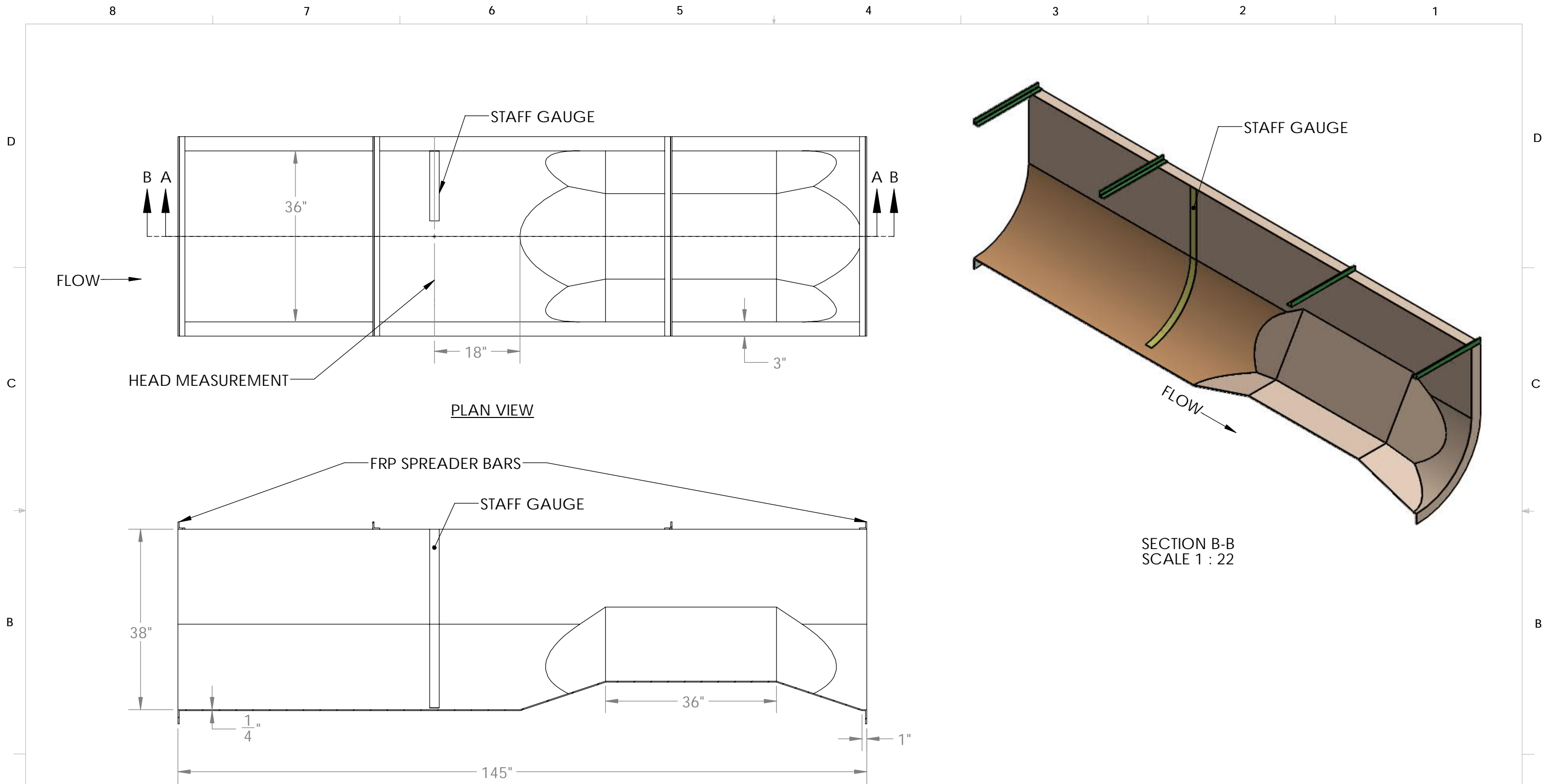



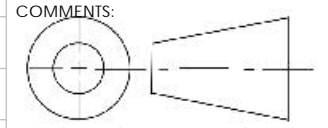
PROPRIETARY AND CONFIDENTIAL
 THE INFORMATION CONTAINED IN THIS DRAWING IS THE SOLE PROPERTY OF VIRTUAL POLYMER COMPOUNDS, LLC. ANY REPRODUCTION IN PART OR AS A WHOLE WITHOUT THE WRITTEN PERMISSION OF VIRTUAL POLYMER COMPOUNDS, LLC IS PROHIBITED.

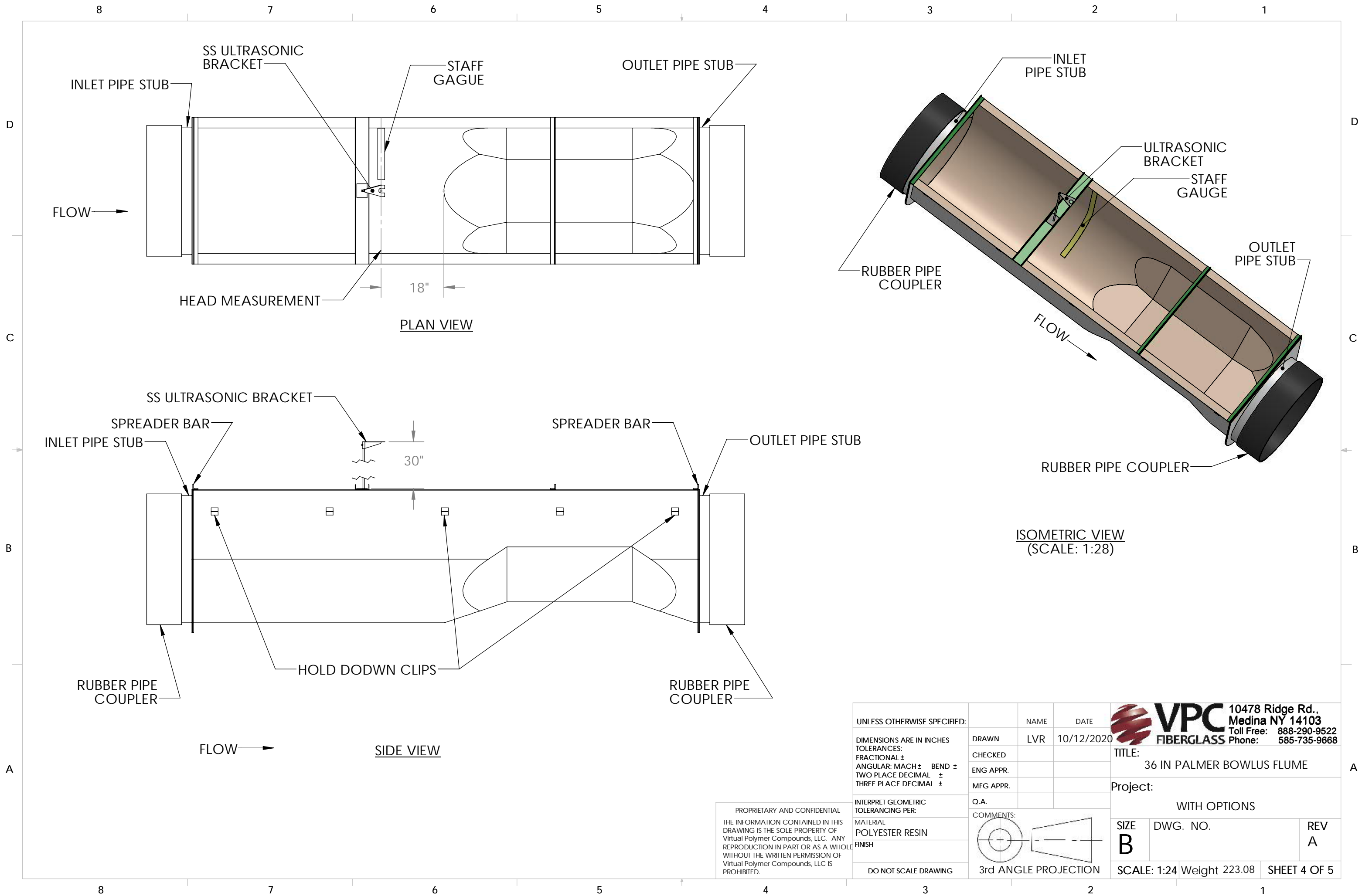
| | | |
|--------------------------------------|-----------|----------------|
| UNLESS OTHERWISE SPECIFIED: | NAME | DATE |
| DIMENSIONS ARE IN INCHES | DRAWN | LVR 10/12/2020 |
| TOLERANCES: | CHECKED | |
| FRACTIONAL ± | ENG APPR. | |
| ANGULAR: MACH ± BEND ± | MFG APPR. | |
| TWO PLACE DECIMAL ± | Q.A. | |
| THREE PLACE DECIMAL ± | | |
| INTERPRET GEOMETRIC TOLERANCING PER: | | |
| MATERIAL FINISH | | |
| POLYESTER RESIN | | |
| DO NOT SCALE DRAWING | | |


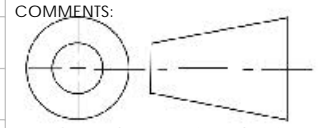


| | | |
|--|----------------------|---|
| | | 10478 Ridge Rd., Medina NY 14103 Toll Free: 888-290-9522 Phone: 585-735-9668 |
| TITLE: 36 IN PALMER BOWLUS FLUME | | |
| Project: WITHOUT OPTIONS | | |
| SIZE B | DWG. NO. | REV A |
| SCALE: 1:26 | Weight 140.51 | SHEET 2 OF 5 |

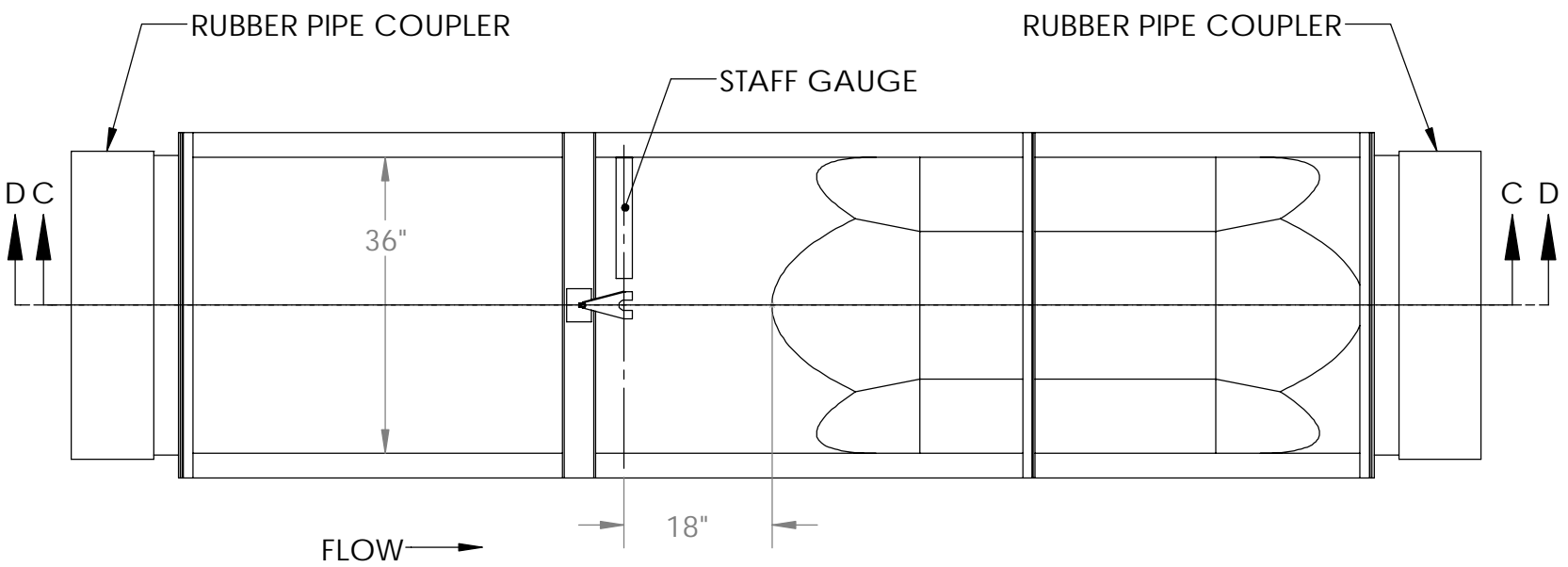


| | | | | |
|--|--|-----------|---|---|
| UNLESS OTHERWISE SPECIFIED: | | NAME | DATE |  VPC 10478 Ridge Rd., Medina NY 14103 Toll Free: 888-290-9522 Phone: 585-735-9668 |
| DIMENSIONS ARE IN INCHES TOLERANCES: FRACTIONAL ± ANGULAR: MACH ± BEND ± TWO PLACE DECIMAL ± THREE PLACE DECIMAL ± | | DRAWN | LVR 10/12/2020 | |
| INTERPRET GEOMETRIC TOLERANCING PER: | | CHECKED | | TITLE: 36 IN PALMER BOWLUS FLUME |
| MATERIAL POLYESTER RESIN FINISH | | ENG APPR. | | Project: WITHOUT OPTIONS |
| DO NOT SCALE DRAWING | | MFG APPR. | | SIZE B |
| PROPRIETARY AND CONFIDENTIAL THE INFORMATION CONTAINED IN THIS DRAWING IS THE SOLE PROPERTY OF Virtual Polymer Compounds, LLC. ANY REPRODUCTION IN PART OR AS A WHOLE WITHOUT THE WRITTEN PERMISSION OF Virtual Polymer Compounds, LLC IS PROHIBITED. | | Q.A. | | DWG. NO. |
| | | COMMENTS: |  3rd ANGLE PROJECTION | REV A |
| | | | | SCALE: 1:20 Weight 140.51 SHEET 3 OF 5 |

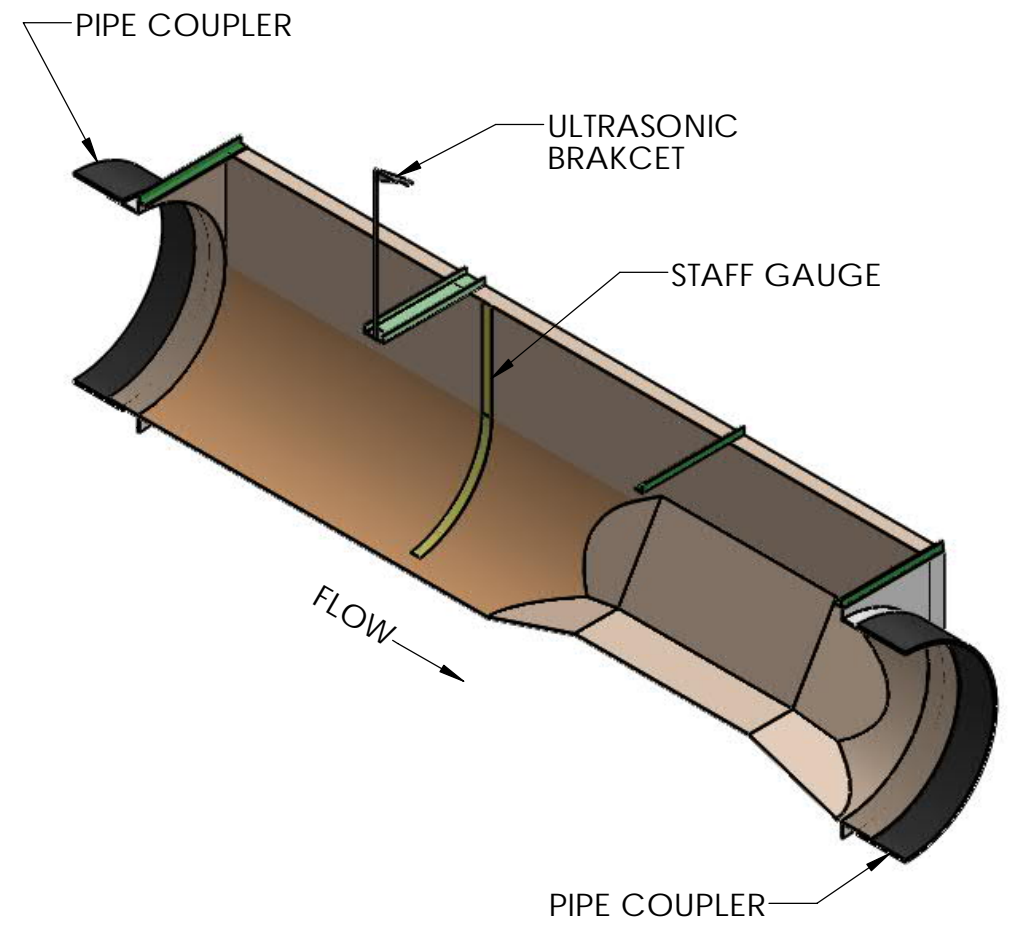


| | | | | |
|--|--|-----------|---|---|
| UNLESS OTHERWISE SPECIFIED: | | NAME | DATE |  VPC 10478 Ridge Rd., Medina NY 14103 Toll Free: 888-290-9522 Phone: 585-735-9668 |
| DIMENSIONS ARE IN INCHES TOLERANCES: FRACTIONAL ± ANGULAR: MACH ± BEND ± TWO PLACE DECIMAL ± THREE PLACE DECIMAL ± | | DRAWN | LVR 10/12/2020 | |
| INTERPRET GEOMETRIC TOLERANCING PER: | | CHECKED | | TITLE: 36 IN PALMER BOWLUS FLUME |
| MATERIAL POLYESTER RESIN FINISH | | ENG APPR. | | Project: WITH OPTIONS |
| DO NOT SCALE DRAWING | | MFG APPR. | | SIZE B |
| PROPRIETARY AND CONFIDENTIAL THE INFORMATION CONTAINED IN THIS DRAWING IS THE SOLE PROPERTY OF Virtual Polymer Compounds, LLC. ANY REPRODUCTION IN PART OR AS A WHOLE WITHOUT THE WRITTEN PERMISSION OF Virtual Polymer Compounds, LLC IS PROHIBITED. | | Q.A. | | DWG. NO. |
| | | COMMENTS: |  3rd ANGLE PROJECTION | REV A |
| | | | | SCALE: 1:24 Weight 223.08 SHEET 4 OF 5 |

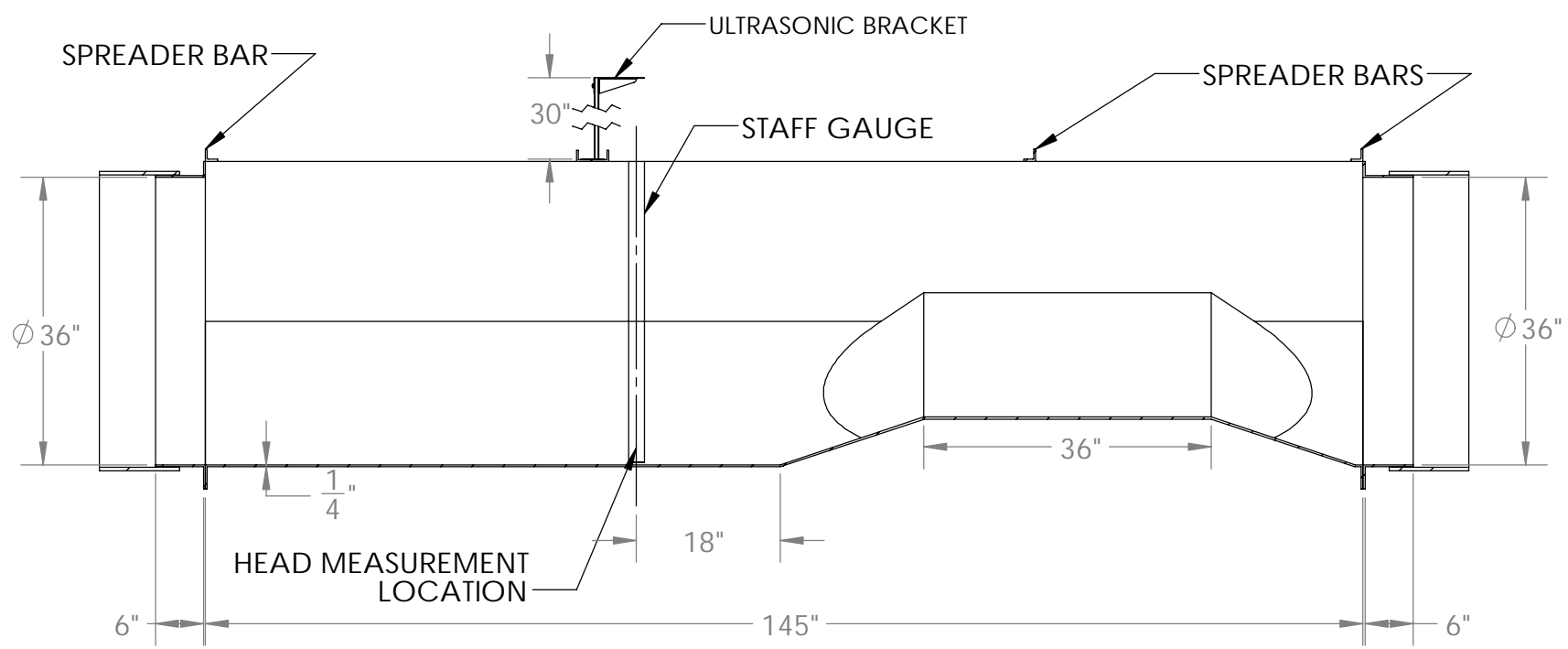
8 7 6 5 4 3 2 1




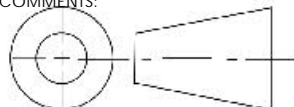
PLAN VIEW



SECTION D-D
SCALE 1 : 28



SECTION C-C

| | | | | |
|--|--|----------------------|---|---|
| UNLESS OTHERWISE SPECIFIED: | | NAME | DATE |  VPC 10478 Ridge Rd., Medina NY 14103 Toll Free: 888-290-9522 Phone: 585-735-9668 |
| DIMENSIONS ARE IN INCHES TOLERANCES: FRACTIONAL ± ANGULAR: MACH ± BEND ± TWO PLACE DECIMAL ± THREE PLACE DECIMAL ± | | DRAWN | LVR 10/12/2020 | |
| INTERPRET GEOMETRIC TOLERANCING PER: | | CHECKED | | TITLE: 36 IN PALMER BOWLUS FLUME |
| MATERIAL POLYESTER RESIN FINISH | | ENG APPR. | | Project: WITH OPTIONS |
| DO NOT SCALE DRAWING | | MFG APPR. | | SIZE B |
| PROPRIETARY AND CONFIDENTIAL THE INFORMATION CONTAINED IN THIS DRAWING IS THE SOLE PROPERTY OF Virtual Polymer Compounds, LLC. ANY REPRODUCTION IN PART OR AS A WHOLE WITHOUT THE WRITTEN PERMISSION OF Virtual Polymer Compounds, LLC IS PROHIBITED. | | Q.A. | | DWG. NO. |
| | | COMMENTS: |  | REV A |
| | | 3rd ANGLE PROJECTION | | SCALE: 1:22 Weight 223.08 SHEET 5 OF 5 |

8 7 6 5 4 3 2 1