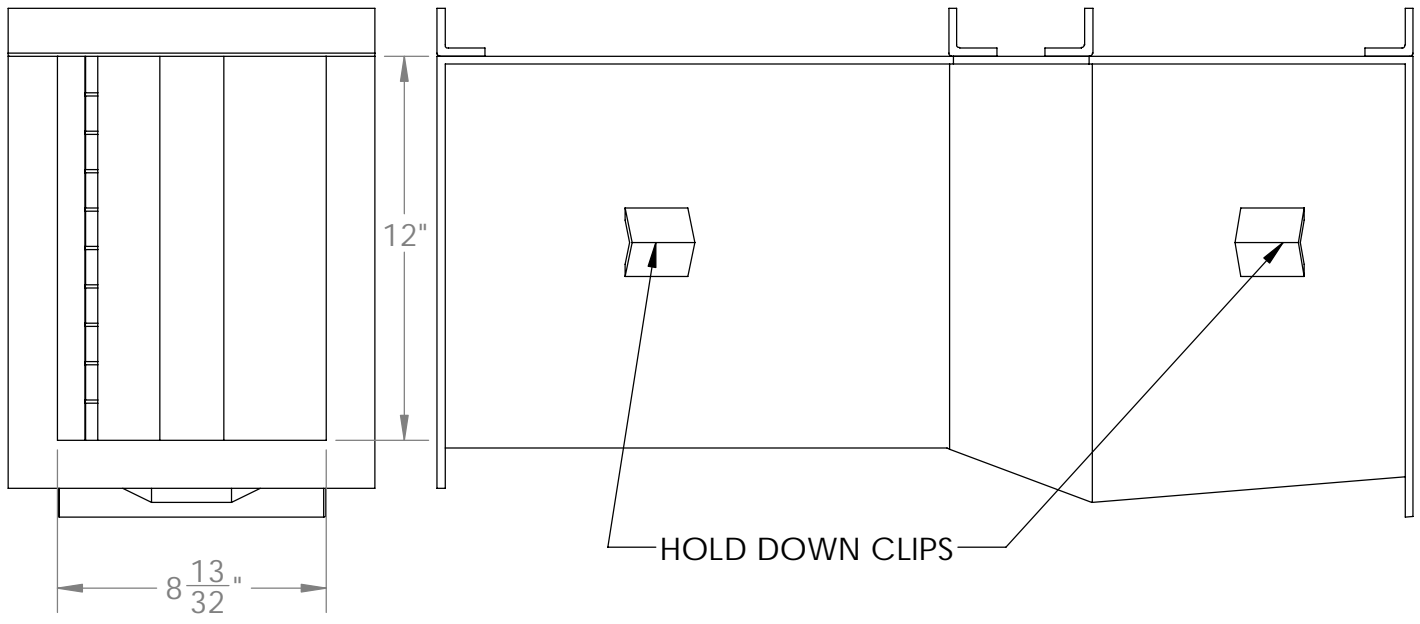
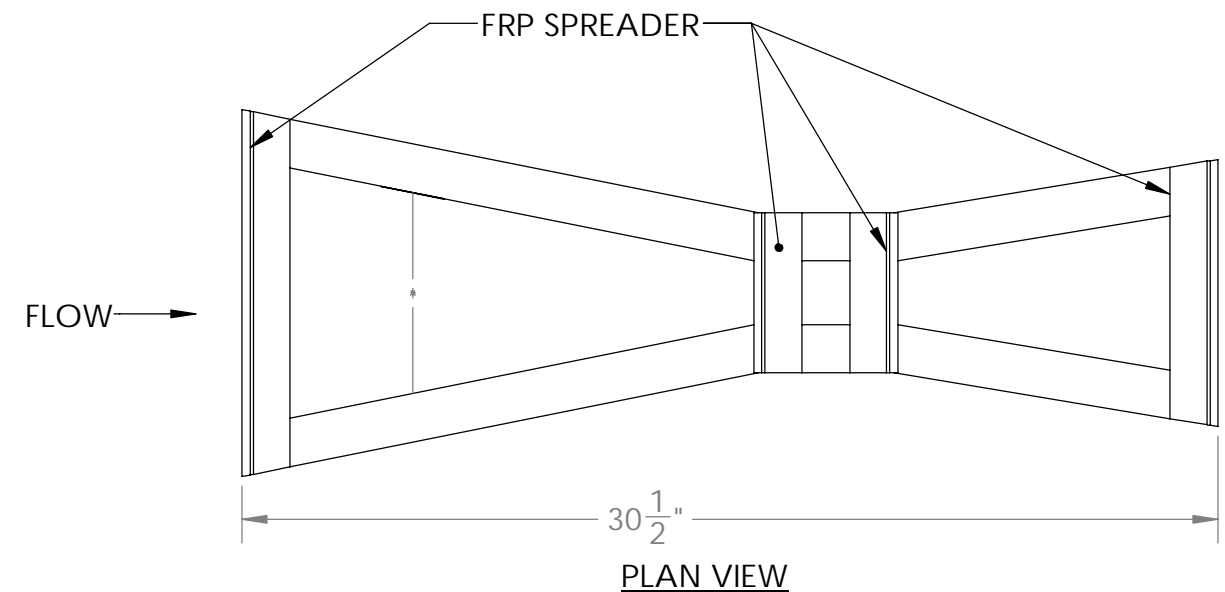
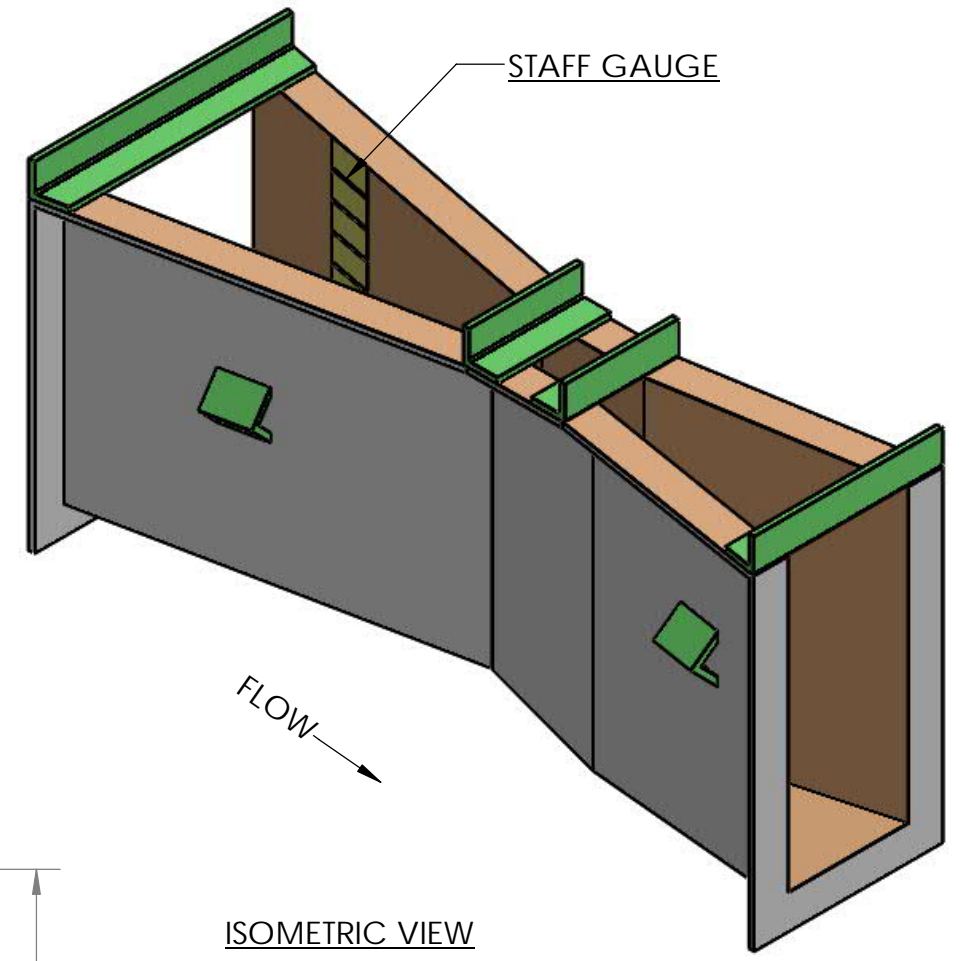
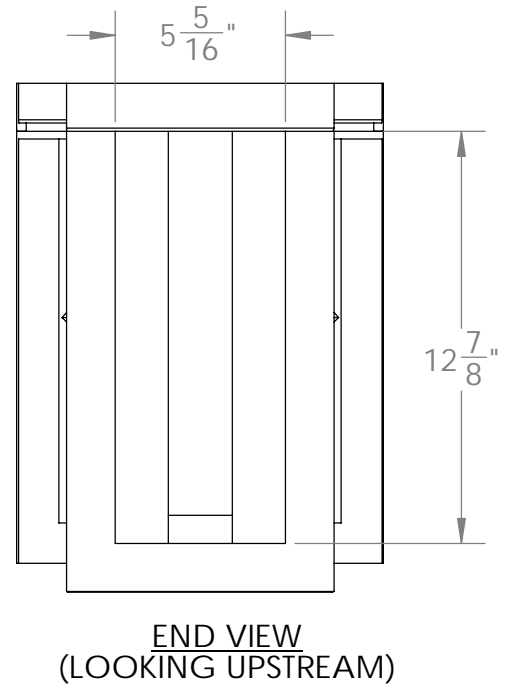


8 7 6 5 4 3 2 1

D
C
B
A



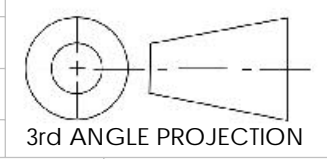
END VIEW (LOOKING DOWNSTREAM)



- NOTES:
- 1) INTERIOR GEL COAT COLOR TO BE BEIGE.
 - 2) EXTERIOR GEL COAT COLOR TO BE WHITE.
 - 3) NOMINAL MATERIAL THICKNESS = 1/4".

PROPRIETARY AND CONFIDENTIAL
THE INFORMATION CONTAINED IN THIS DRAWING IS THE SOLE PROPERTY OF VIRTUAL POLYMER COMPOUNDS, LLC. ANY REPRODUCTION IN PART OR AS A WHOLE WITHOUT THE WRITTEN PERMISSION OF VIRTUAL POLYMER COMPOUNDS, LLC IS PROHIBITED.

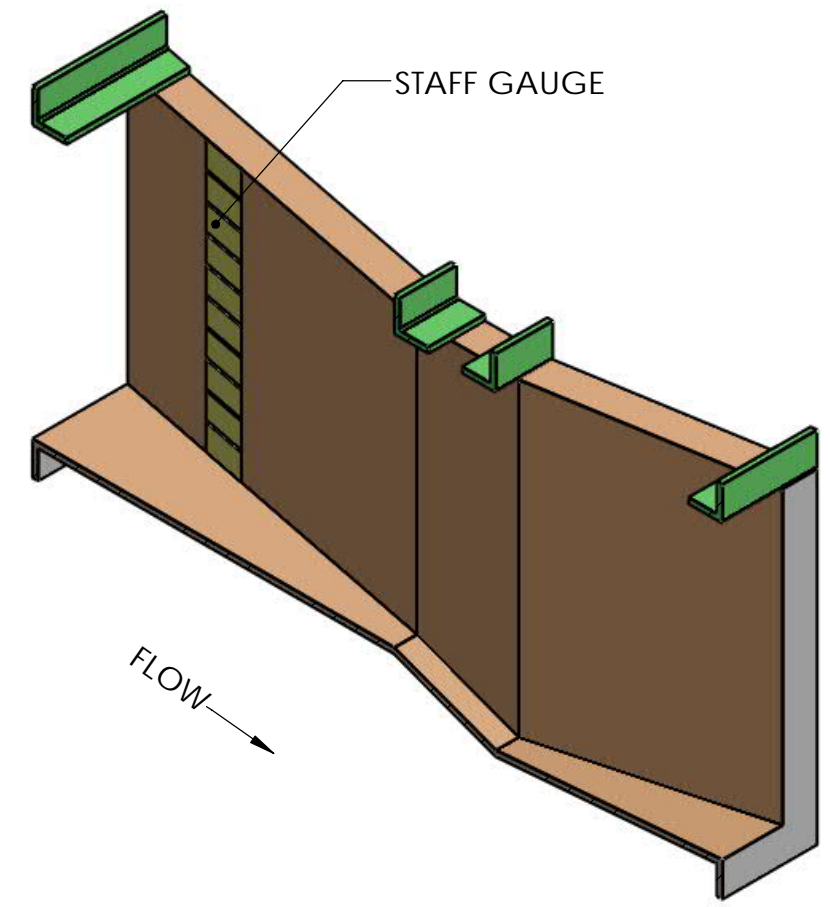
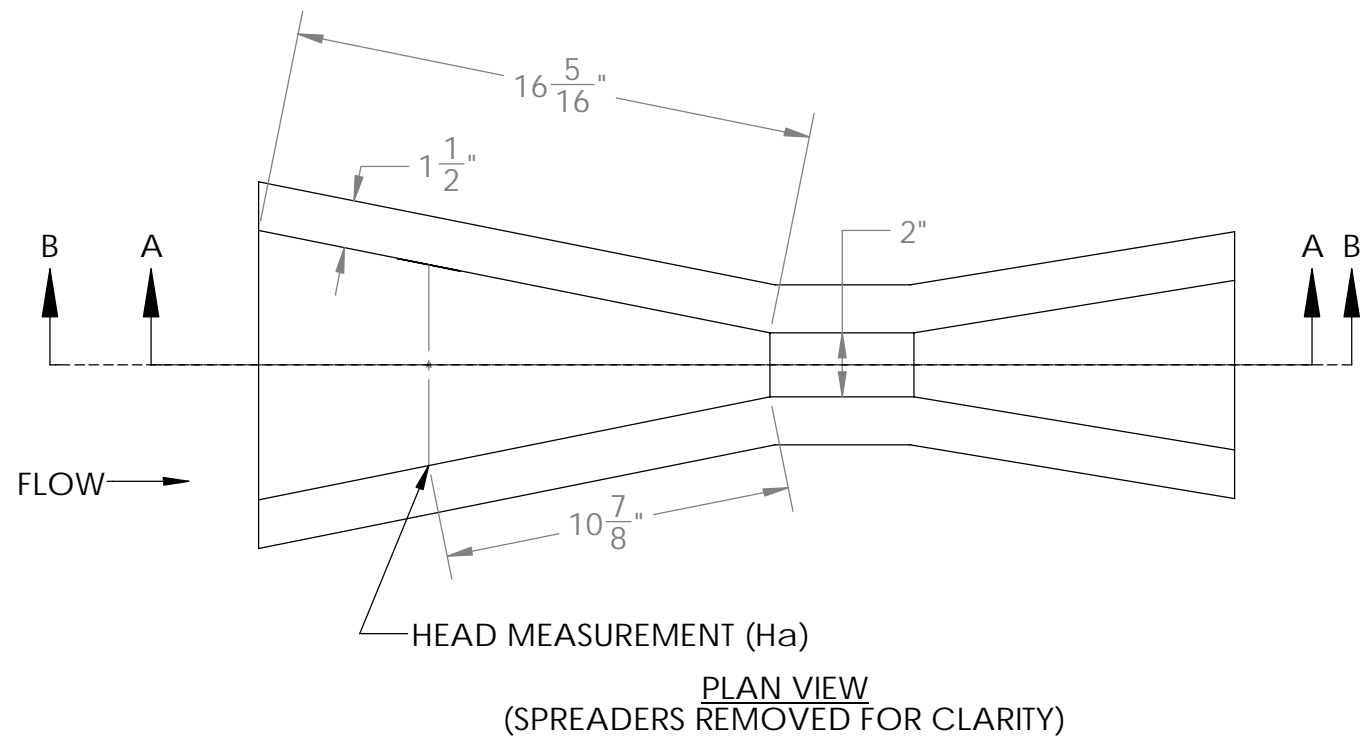
UNLESS OTHERWISE SPECIFIED:	NAME	DATE
DIMENSIONS ARE IN INCHES	DRAWN	LVR 8/6/2020
TOLERANCES:	CHECKED	
FRACTIONAL ±	ENG APPR.	
ANGULAR: MACH ± BEND ±	MFG APPR.	
TWO PLACE DECIMAL ±	Q.A.	
THREE PLACE DECIMAL ±		
INTERPRET GEOMETRIC TOLERANCING PER:		
MATERIAL POLYESTER RESIN FINISH		
DO NOT SCALE DRAWING		



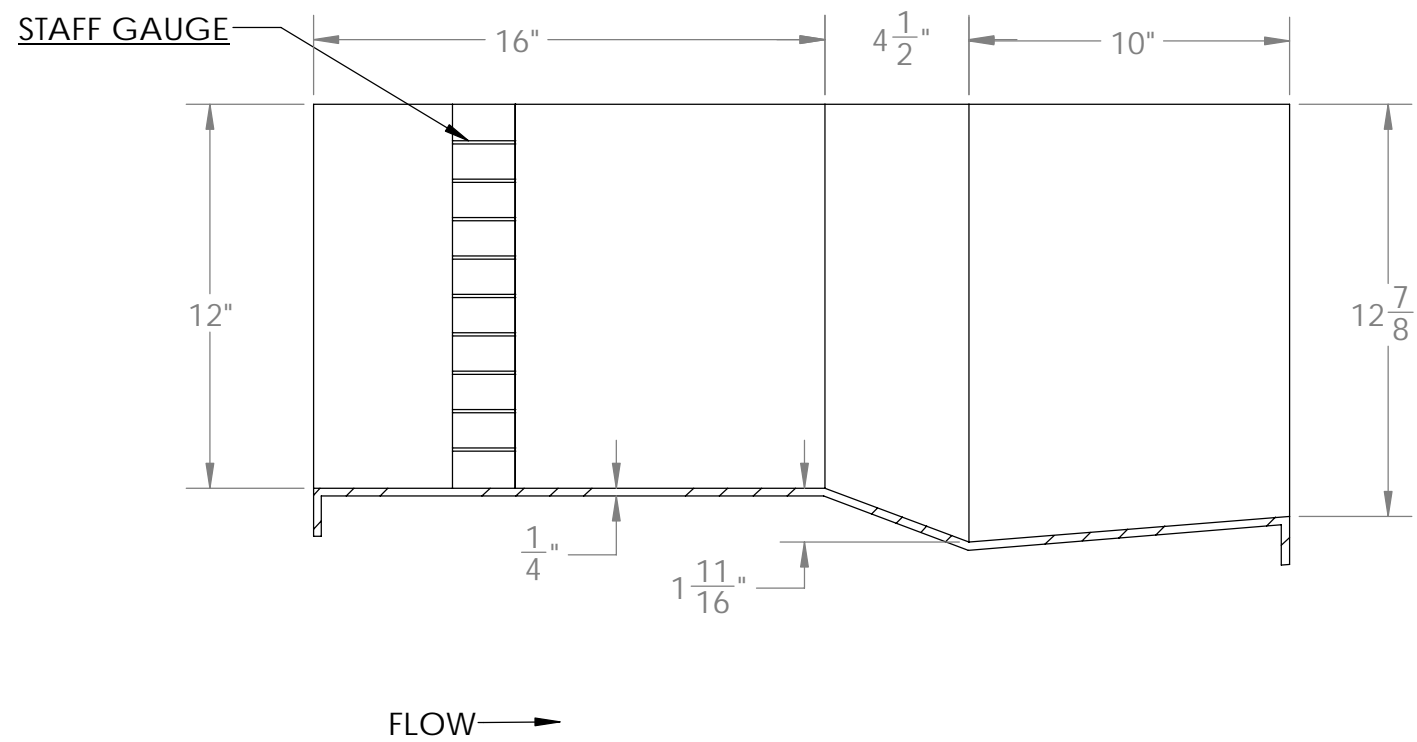
VPC FIBERGLASS 10478 Ridge Rd., Medina NY 14103
Toll Free: 888-290-9522 Phone: 585-735-9668

TITLE: 1 INCH PARSHALL FLUME		
Project: WITHOUT OPTIONS		
SIZE B	DWG. NO.	REV A
SCALE: 1:6	Weight 12.44	SHEET 1 OF 4

8 7 6 5 4 3 2 1


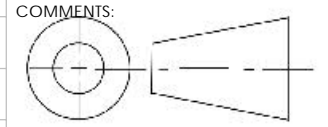


SECTION B-B



SECTION A-A

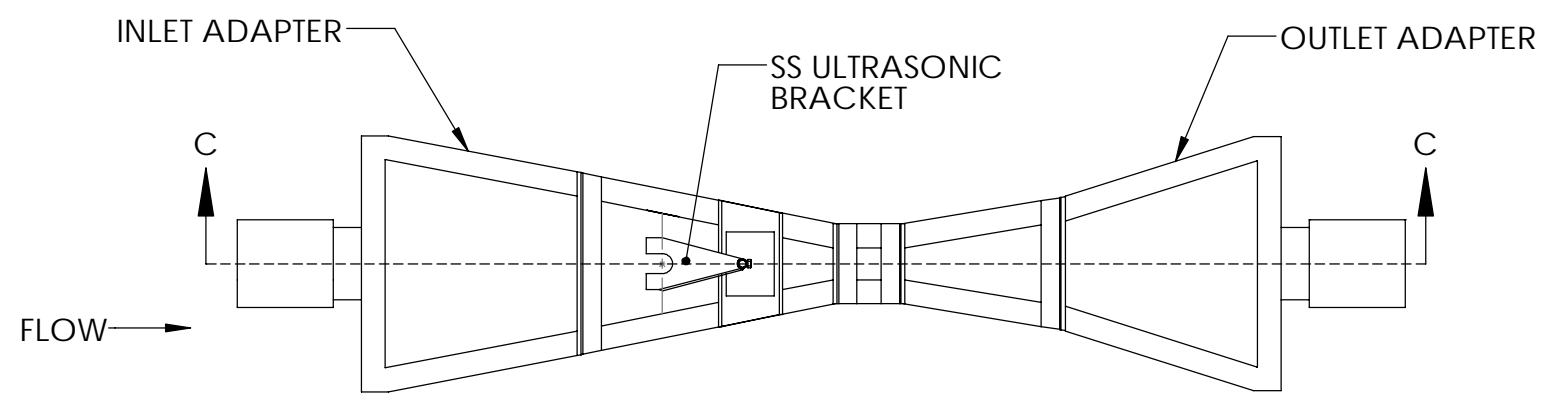
PROPRIETARY AND CONFIDENTIAL
THE INFORMATION CONTAINED IN THIS DRAWING IS THE SOLE PROPERTY OF Virtual Polymer Compounds, LLC. ANY REPRODUCTION IN PART OR AS A WHOLE WITHOUT THE WRITTEN PERMISSION OF Virtual Polymer Compounds, LLC IS PROHIBITED.

UNLESS OTHERWISE SPECIFIED:		NAME	DATE	 VPC 10478 Ridge Rd., Medina NY 14103 Toll Free: 888-290-9522 Phone: 585-735-9668
DIMENSIONS ARE IN INCHES TOLERANCES: FRACTIONAL ± ANGULAR: MACH ± BEND ± TWO PLACE DECIMAL ± THREE PLACE DECIMAL ±		DRAWN	LVR	
INTERPRET GEOMETRIC TOLERANCING PER:		CHECKED		TITLE:
MATERIAL POLYESTER RESIN FINISH		ENG APPR.		1 INCH PARSHALL FLUME
DO NOT SCALE DRAWING		MFG APPR.		Project:
		Q.A.		WITHOUT OPTIONS
		COMMENTS:		SIZE
		 3rd ANGLE PROJECTION		B
				DWG. NO.
				SCALE: 1:6
				Weight 12.44
				SHEET 2 OF 4

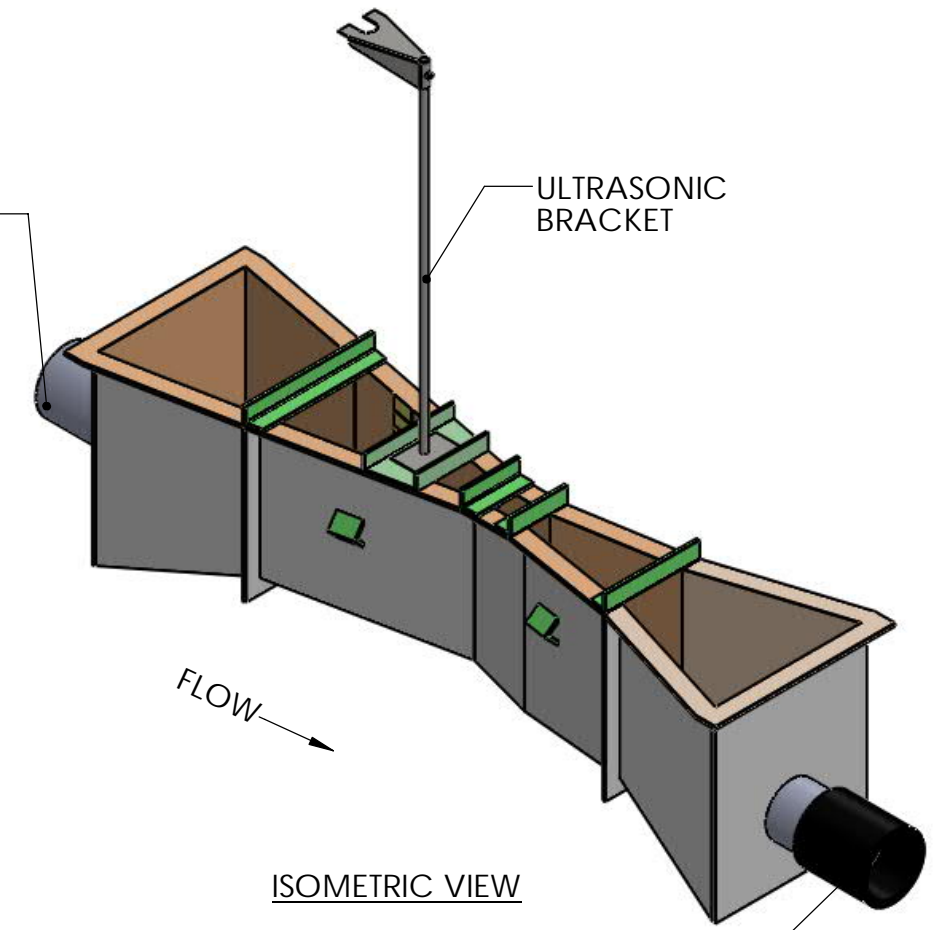
8 7 6 5 4 3 2 1

D

D



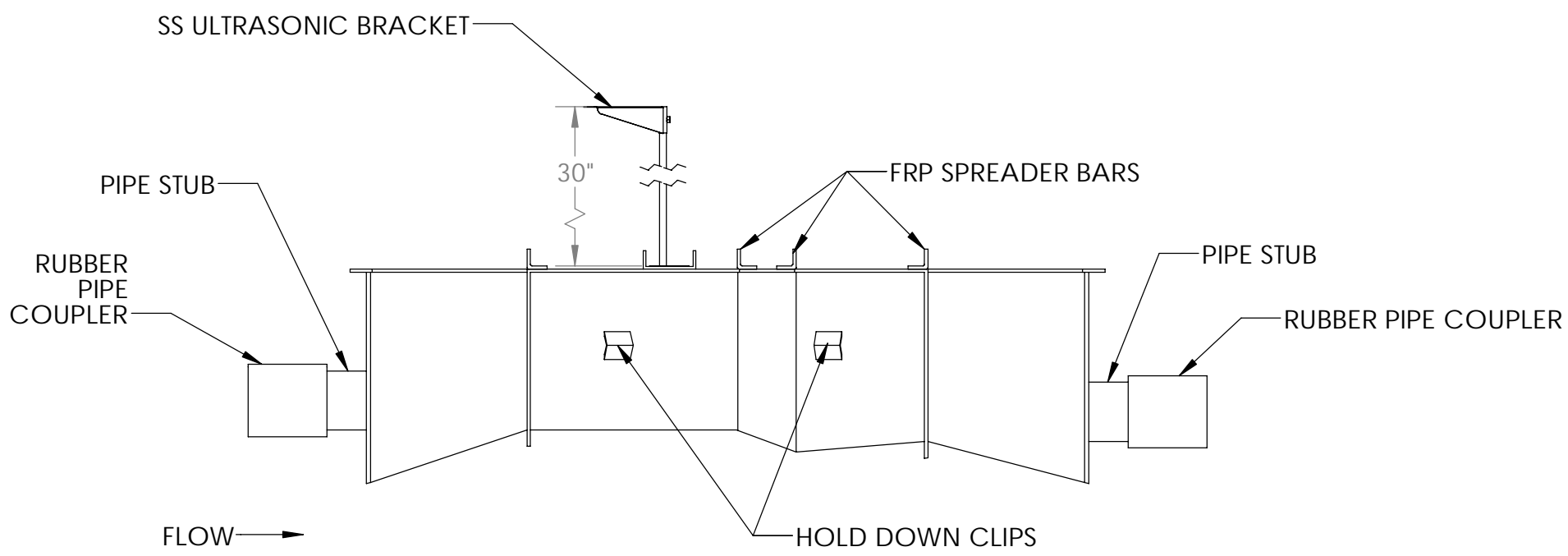
PLAN VIEW



ISOMETRIC VIEW

C


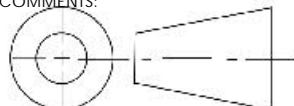
C



SIDE VIEW

B

B

UNLESS OTHERWISE SPECIFIED:		NAME	DATE	 VPC 10478 Ridge Rd., Medina NY 14103 Toll Free: 888-290-9522 Phone: 585-735-9668
DIMENSIONS ARE IN INCHES TOLERANCES: FRACTIONAL ± ANGULAR: MACH ± BEND ± TWO PLACE DECIMAL ± THREE PLACE DECIMAL ±		DRAWN	LVR 8/6/2020	
INTERPRET GEOMETRIC TOLERANCING PER:		CHECKED		TITLE: 2 INCH PARSHALL FLUME
MATERIAL POLYESTER RESIN FINISH		ENG APPR.		Project: WITH OPTIONS
DO NOT SCALE DRAWING		MFG APPR.		SIZE B
PROPRIETARY AND CONFIDENTIAL THE INFORMATION CONTAINED IN THIS DRAWING IS THE SOLE PROPERTY OF Virtual Polymer Compounds, LLC. ANY REPRODUCTION IN PART OR AS A WHOLE WITHOUT THE WRITTEN PERMISSION OF Virtual Polymer Compounds, LLC IS PROHIBITED.		Q.A.		DWG. NO.
		COMMENTS:	 3rd ANGLE PROJECTION	REV A
				SCALE: 1:12 Weight 38.35 SHEET 3 OF 4

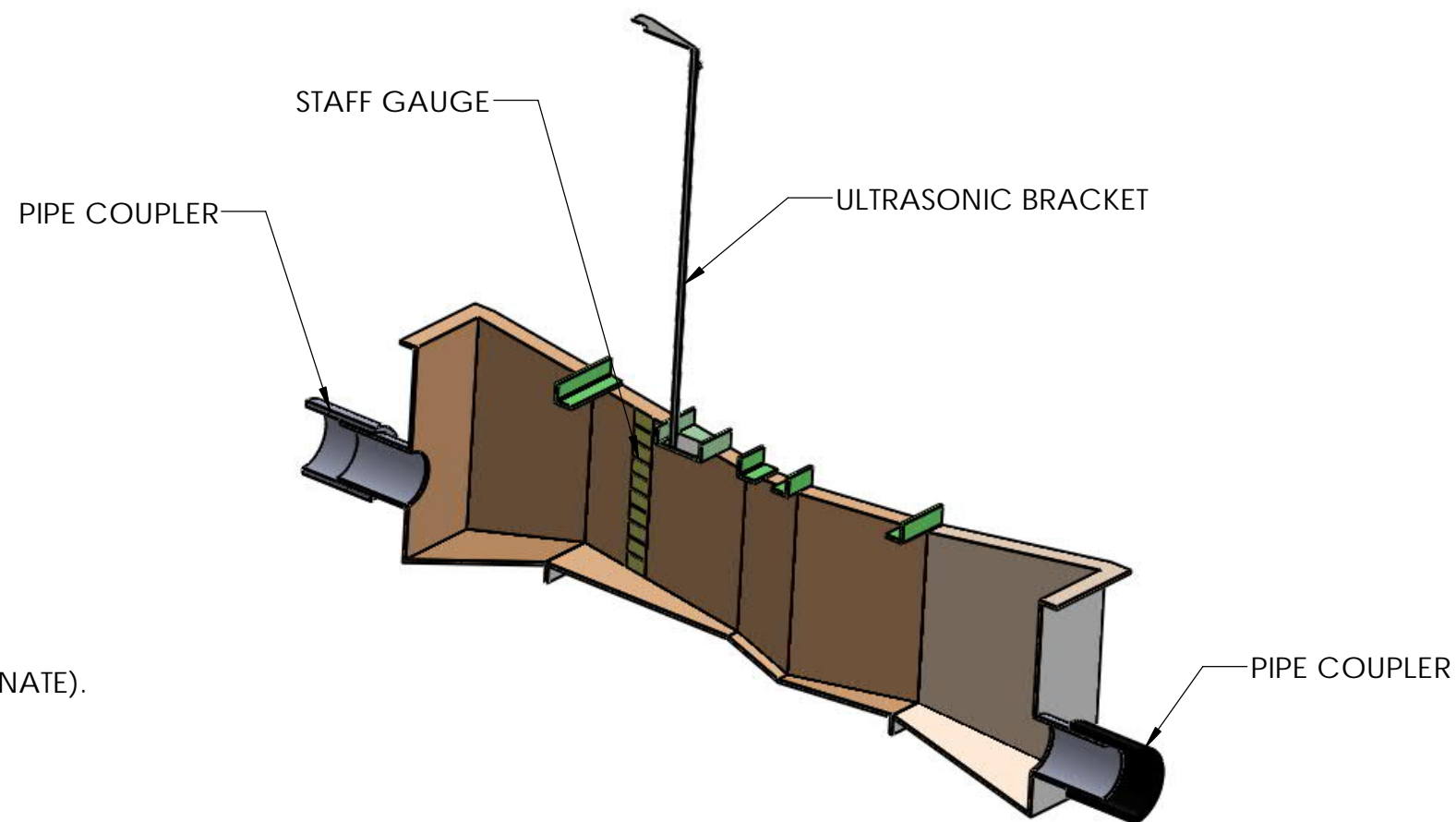
8 7 6 5 4 3 2 1

A

A


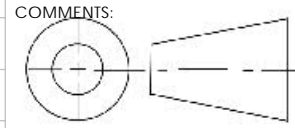
AVAILABLE OPTIONS:

- STAFF GAUGE (ENGLISH OR METRIC).
- STILLING WELL (INTEGRAL OR REMOTE).
- BUBBLER TUBE (SS 1/4" ID, INTEGRAL OR REMOVABLE).
- SAMPLER TUBE (SS 3/8" ID, INTEGRAL OR REMOVABLE).
- INLET AND OUTLET END ADAPTERS.
- PIPE STUBS.
- RUBBER PIPE COUPLERS W/ SS CLAMP BANDS.
- ADJUSTABLE SS ULTRASONIC BRACKET.
- PH PROBE CAVITY.
- WING WALLS AND BULK HEADS.
- ENERGY ABSORBING RACKS. (FIXED OR REMOVABLE).
- STANDARD OR SPECIAL DEPTHS (INCLUDING SURGE BOXES).
- FLUME COVERS (GRATING, FIBER SHEETING, CLEAR POLYCARBONATE).
- MONTANA CUT DESIGN.
- SPECIAL DESIGN (TO MEET SPECIAL PROJECT NEEDS).
- STANDARD COLOR IS BEIGE (CUSTOM COLORS AVAILABLE).



SECTION C-C

PROPRIETARY AND CONFIDENTIAL
 THE INFORMATION CONTAINED IN THIS DRAWING IS THE SOLE PROPERTY OF Virtual Polymer Compounds, LLC. ANY REPRODUCTION IN PART OR AS A WHOLE WITHOUT THE WRITTEN PERMISSION OF Virtual Polymer Compounds, LLC IS PROHIBITED.

UNLESS OTHERWISE SPECIFIED:		NAME	DATE	 VPC 10478 Ridge Rd., Medina NY 14103 Toll Free: 888-290-9522 Phone: 585-735-9668	
DIMENSIONS ARE IN INCHES		DRAWN	LVR		8/6/2020
TOLERANCES:		CHECKED			
FRACTIONAL ±		ENG APPR.			
ANGULAR: MACH ± BEND ±		MFG APPR.			
TWO PLACE DECIMAL ±		Q.A.			
THREE PLACE DECIMAL ±		COMMENTS:			
INTERPRET GEOMETRIC TOLERANCING PER:		 3rd ANGLE PROJECTION		TITLE: 2 INCH PARSHALL FLUME	
MATERIAL		POLYESTER RESIN		Project:	
FINISH				WITH OPTIONS	
DO NOT SCALE DRAWING		SIZE	DWG. NO.	REV	
		B		A	
		SCALE: 1:6	Weight 38.35	SHEET 4 OF 4	