

8

7

6

5

4

3

2

1

F

F

E

E

D

D

C

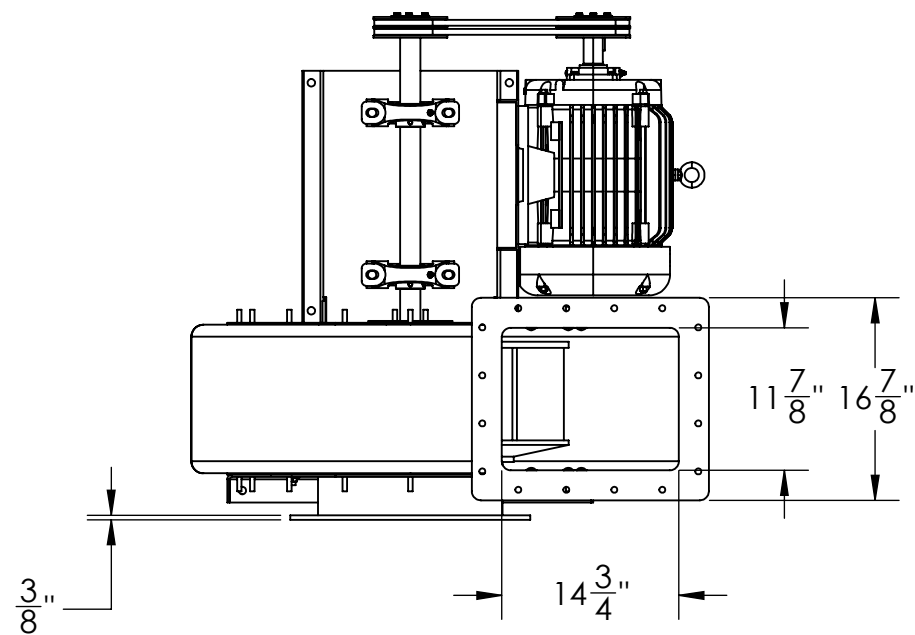
C

B

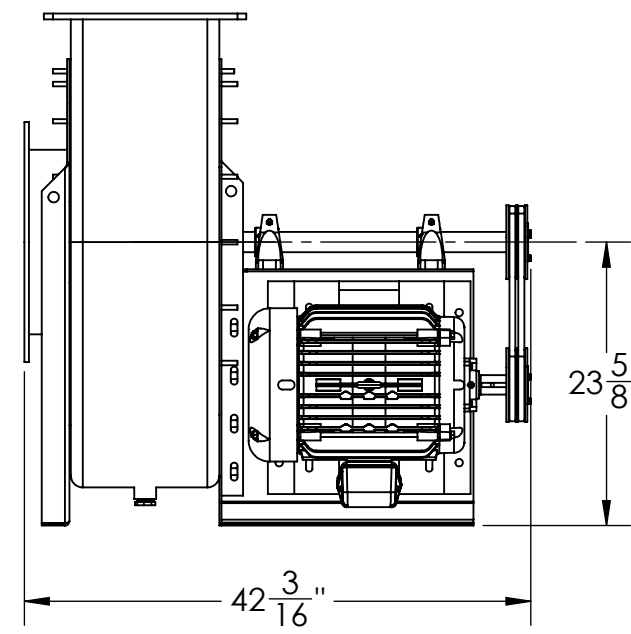
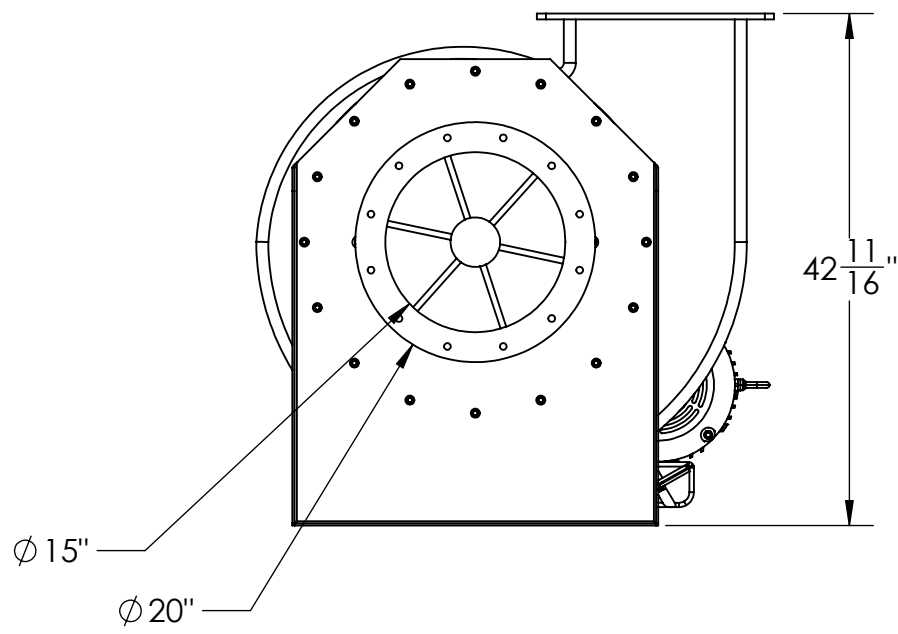
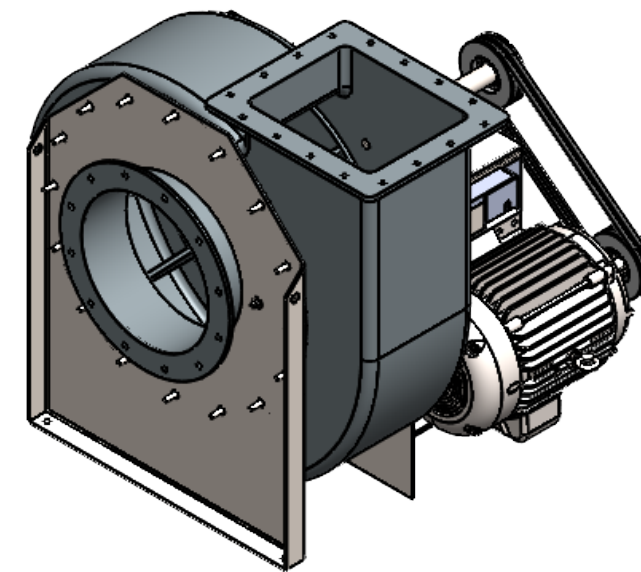
B

A

A



- NOTES:
- VINYL ESTER RESIN CONSTRUCTION
 - 316SS HARDWARE AND SHAFT
 - BELT DRIVE
 - EPDM SHAFT SEAL
 - PILLOW BLOCK BEARINGS
 - UV INHIBITOR ON EXTERIOR
 - C-VEIL ON AIRSTREAM
 - FLANGED INLET AND OUTLET



PROPRIETARY AND CONFIDENTIAL
 THE INFORMATION CONTAINED IN THIS DRAWING IS THE SOLE PROPERTY OF VIRTUAL POLYMER COMPOUNDS. ANY REPRODUCTION IN PART OR AS A WHOLE WITHOUT THE WRITTEN PERMISSION OF VIRTUAL POLYMER COMPOUNDS IS PROHIBITED.

		UNLESS OTHERWISE SPECIFIED:		NAME	DATE	CFT COMPOSITE FAN TECHNOLOGY
		DIMENSIONS ARE IN INCHES TOLERANCES: FRACTIONAL: \pm ANGULAR: MACH \pm BEND \pm TWO PLACE DECIMAL \pm THREE PLACE DECIMAL \pm		DRAWN	CD	
				CHECKED	---	TITLE:
				ENG APPR.	---	26 RBC GENERAL ASSEMBLY DRAWING
				MFG APPR.	---	
				Q.A.	---	SIZE DWG. NO. REV
				COMMENTS:		B -
NEXT ASSY	USED ON					SCALE: WEIGHT: SHEET 1 OF 2
APPLICATION		DO NOT SCALE DRAWING				

8

7

6

5

4

3

2

1

8

7

6

5

4

3

2

1

F

E

D

C

B

A

F

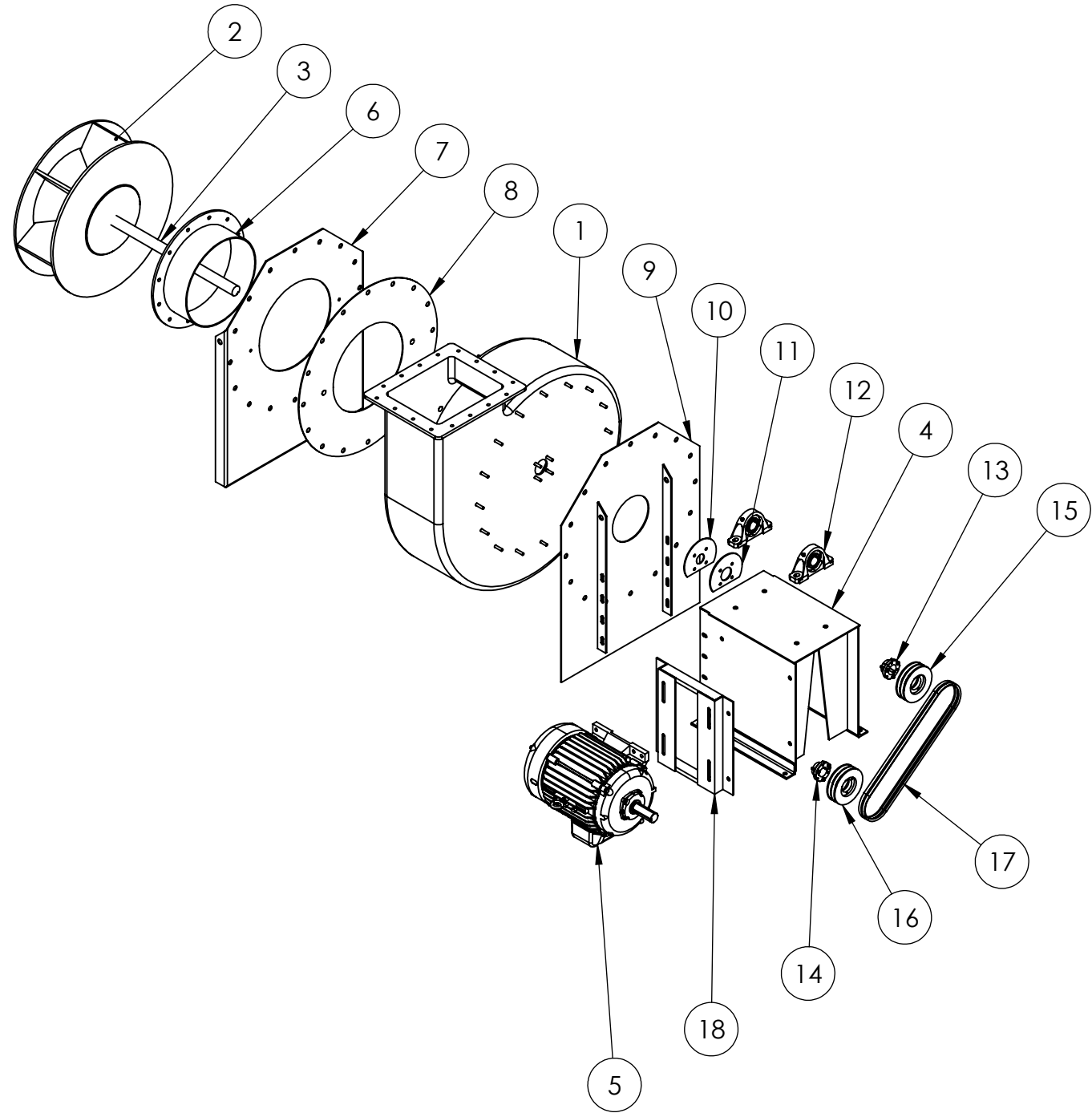
E

D

C

B

A



ITEM NO.	DESCRIPTION
1	HOUSING
2	WHEEL
3	SHAFT
4	BEARING BASE
5	MOTOR
6	INLET COLLAR
7	INLET STAND
8	INLET PLATE
9	POWER STAND
10	SHAFT SEAL
11	SHAFT SEAL PLATE
12	BEARING
13	DRIVE QD BUSHING
14	MOTOR QD BUSHING
15	DRIVE SHEAVE
16	MOTOR SHEAVE
17	V-BELT
18	MOTOR PLATE

PROPRIETARY AND CONFIDENTIAL
 THE INFORMATION CONTAINED IN THIS DRAWING IS THE SOLE PROPERTY OF VIRTUAL POLYMER COMPOUNDS. ANY REPRODUCTION IN PART OR AS A WHOLE WITHOUT THE WRITTEN PERMISSION OF VIRTUAL POLYMER COMPOUNDS IS PROHIBITED.

		UNLESS OTHERWISE SPECIFIED:		NAME	DATE	CFT COMPOSITE FAN TECHNOLOGY
		DIMENSIONS ARE IN INCHES TOLERANCES: FRACTIONAL ± ANGULAR: MACH ± BEND ± TWO PLACE DECIMAL ± THREE PLACE DECIMAL ±		DRAWN	CD	
				CHECKED	---	TITLE:
				ENG APPR.	---	26 RBC GENERAL ASSEMBLY DRAWING
				MFG APPR.	---	
				Q.A.	---	SIZE
				COMMENTS:		DWG. NO.
NEXT ASSY		USED ON				REV
APPLICATION		DO NOT SCALE DRAWING				-
						SCALE:
						WEIGHT:
						SHEET 2 OF 2

8

7

6

5

4

3

2

1