
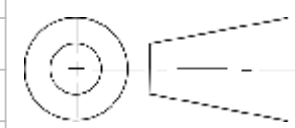


AVAILABLE OPTIONS:

- STAFF GAUGE (ENGLISH OR METRIC).
- STILLING WELL (INTEGRAL OR REMOTE).
- BUBBLER TUBE (SS 1/8" ID, INTEGRAL OR REMOVABLE).
- SAMPLER TUBE (SS 3/8" ID, INTEGRAL OR REMOVABLE).
- INLET APPROACH SECTIONS.
- PIPE STUBS.
- RUBBER PIPE COUPLERS W/ SS CLAMP BANDS.
- ADJUSTABLE SS ULTRASONIC BRACKET.
- PH PROBE CAVITY.
- WING WALLS.
- ENERGY ABSORBING RACKS. (FIXED OR REMOVABLE).
- STANDARD OR SPECIAL DEPTHS (INCLUDING SURGE BOXES).
- FLUME COVERS (GRATING, FIBER SHEETING, CLEAR POLYCARBONATE).
- SPECIAL DESIGN (TO MEET SPECIAL PROJECT NEEDS).
- STANDARD COLOR IS BEIGE (CUSTOM COLORS AVAILABLE).

FLOW →

UNLESS OTHERWISE SPECIFIED:		NAME	DATE	 <b>VPC</b> 10478 Ridge Rd., Medina NY 14103 Toll Free: 888-290-9522 Phone: 585-735-9668			
DIMENSIONS ARE IN INCHES TOLERANCES: FRACTIONAL ± ANGULAR: MACH ± BEND ± TWO PLACE DECIMAL ± THREE PLACE DECIMAL ±		DRAWN	LVR		8/31/2020		
INTERPRET GEOMETRIC TOLERANCING PER:		CHECKED			TITLE:	2.0H FLUME	
MATERIAL		ENG APPR.			Project:	WITH OPTIONS	
FINISH		MFG APPR.			SIZE	DWG. NO.	REV
DO NOT SCALE DRAWING		Q.A.			<b>B</b>		A
PROPRIETARY AND CONFIDENTIAL THE INFORMATION CONTAINED IN THIS DRAWING IS THE SOLE PROPERTY OF VIRTUAL POLYMER COMPOUNDS, LLC. ANY REPRODUCTION IN PART OR AS A WHOLE WITHOUT THE WRITTEN PERMISSION OF VIRTUAL POLYMER COMPOUNDS, LLC IS PROHIBITED.		 3rd ANGLE PROJECTION		SCALE: 1:12	Weight 147.51	SHEET 1 OF 5	

8 7 6 5 4 3 2 1

D

D

C

C

B

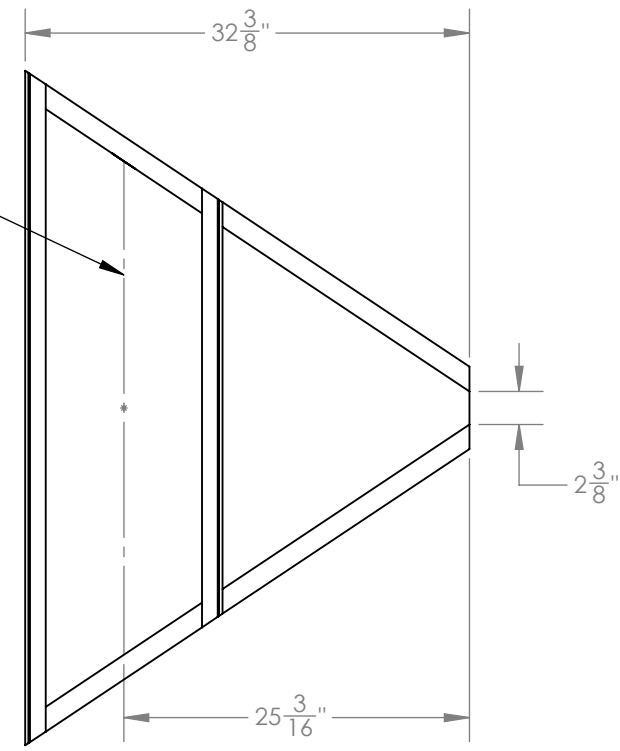
B

A

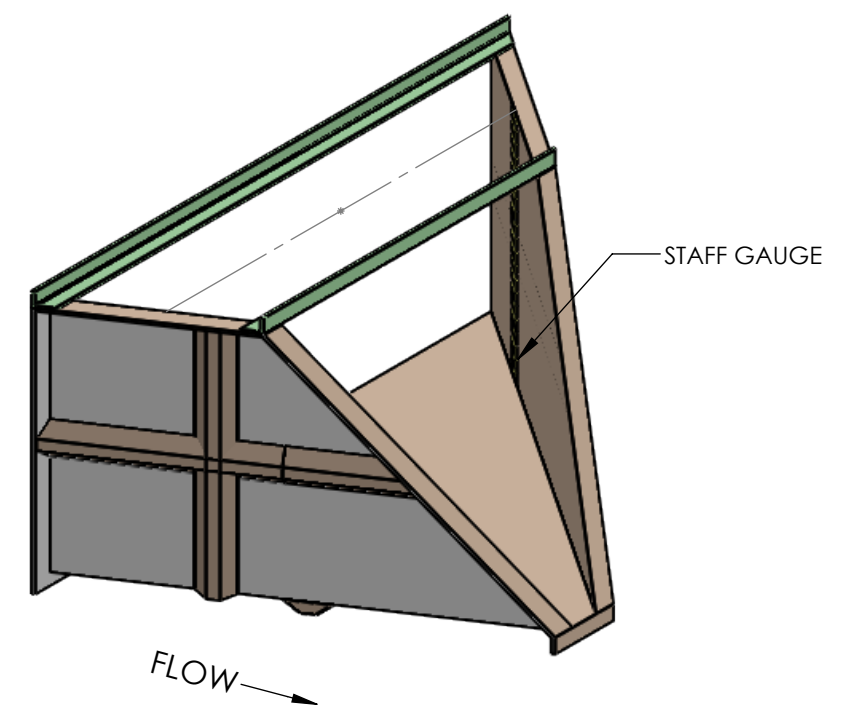
A

HEAD MEASUREMENT LOCATION

FLOW →

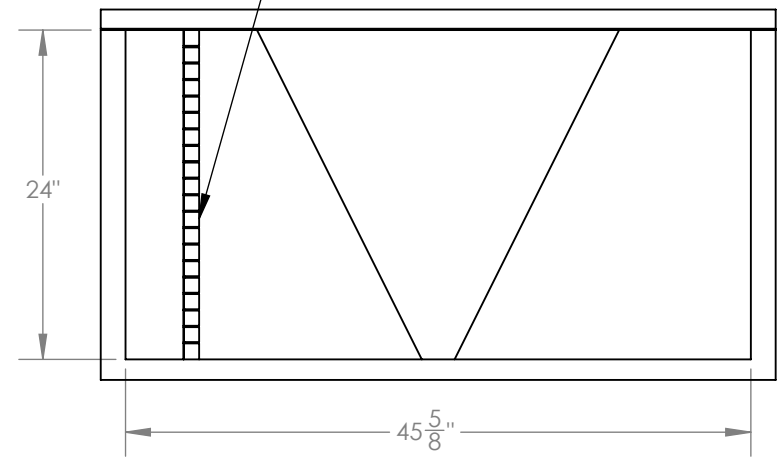


PLAN VIEW

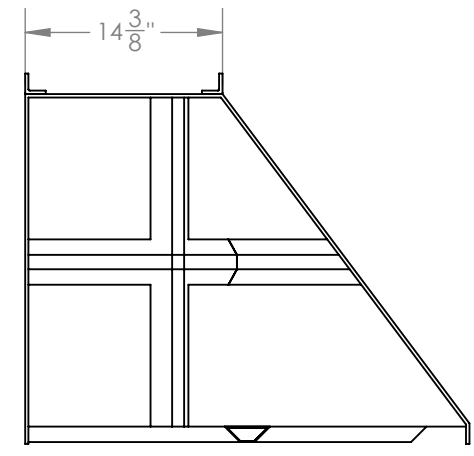


ISOMETRIC VIEW

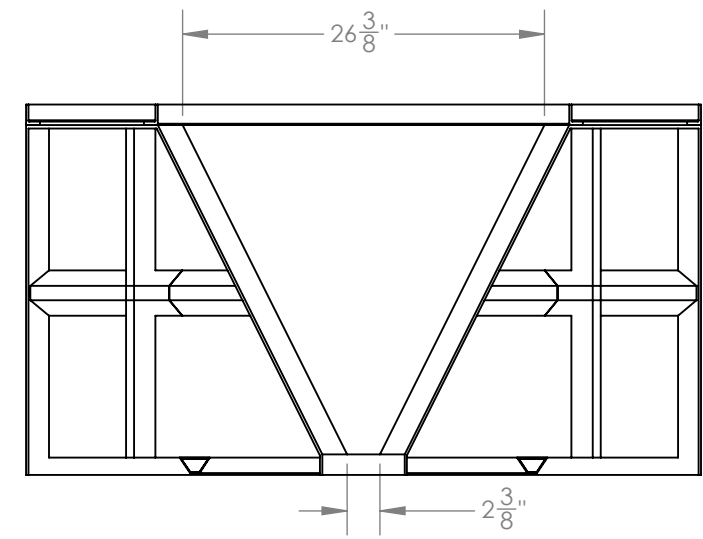
STAFF GAUGE



END VIEW (LOOKING DOWN STREAM)



SIDE VIEW



END VIEW (LOOKING UP STREAM)

**PROPRIETARY AND CONFIDENTIAL**  
 THE INFORMATION CONTAINED IN THIS DRAWING IS THE SOLE PROPERTY OF Virtual Polymer Compounds, LLC. ANY REPRODUCTION IN PART OR AS A WHOLE WITHOUT THE WRITTEN PERMISSION OF Virtual Polymer Compounds, LLC IS PROHIBITED.

UNLESS OTHERWISE SPECIFIED:

DIMENSIONS ARE IN INCHES  
 TOLERANCES:  
 FRACTIONAL ±  
 ANGULAR: MACH ± BEND ±  
 TWO PLACE DECIMAL ±  
 THREE PLACE DECIMAL ±

INTERPRET GEOMETRIC TOLERANCING PER:

MATERIAL: POLYESTER RESIN  
 FINISH:

DO NOT SCALE DRAWING

	NAME	DATE
DRAWN	LVR	8/31/2020
CHECKED		
ENG APPR.		
MFG APPR.		
Q.A.		

COMMENTS:

3rd ANGLE PROJECTION

10478 Ridge Rd.,  
 Medina NY 14103  
 Toll Free: 888-290-9522  
 Phone: 585-735-9668

TITLE: 2.0H FLUME

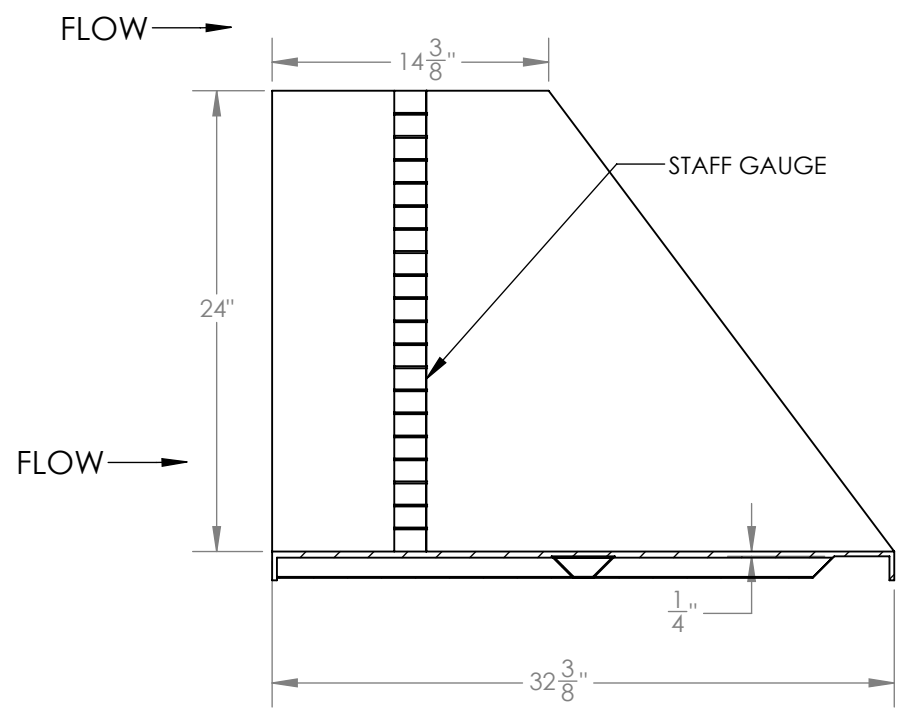
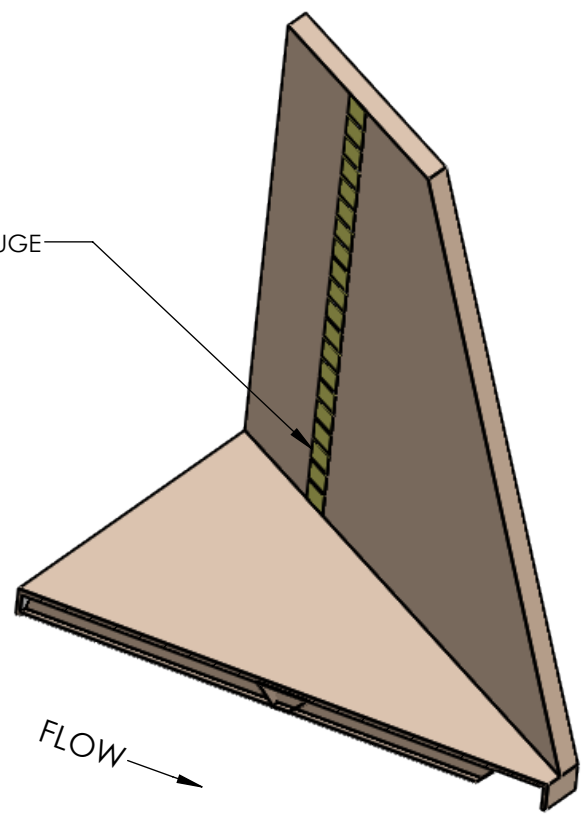
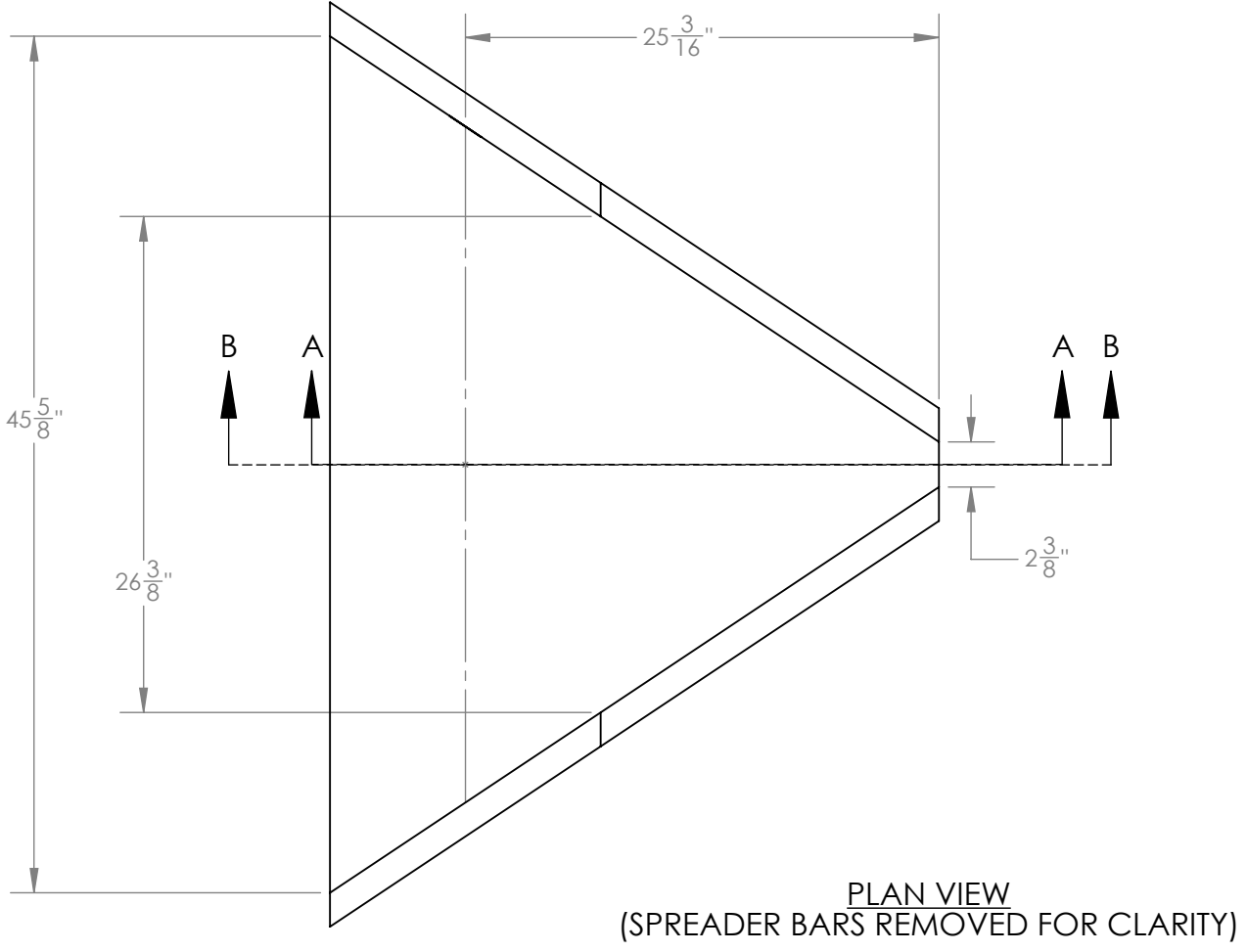
Project: NO OPTIONS

SIZE <b>B</b>	DWG. NO.	REV A
---------------	----------	-------

SCALE: 1:14 Weight 37.99 SHEET 2 OF 5

8 7 6 5 4 3 2 1

8 7 6 5 4 3 2 1



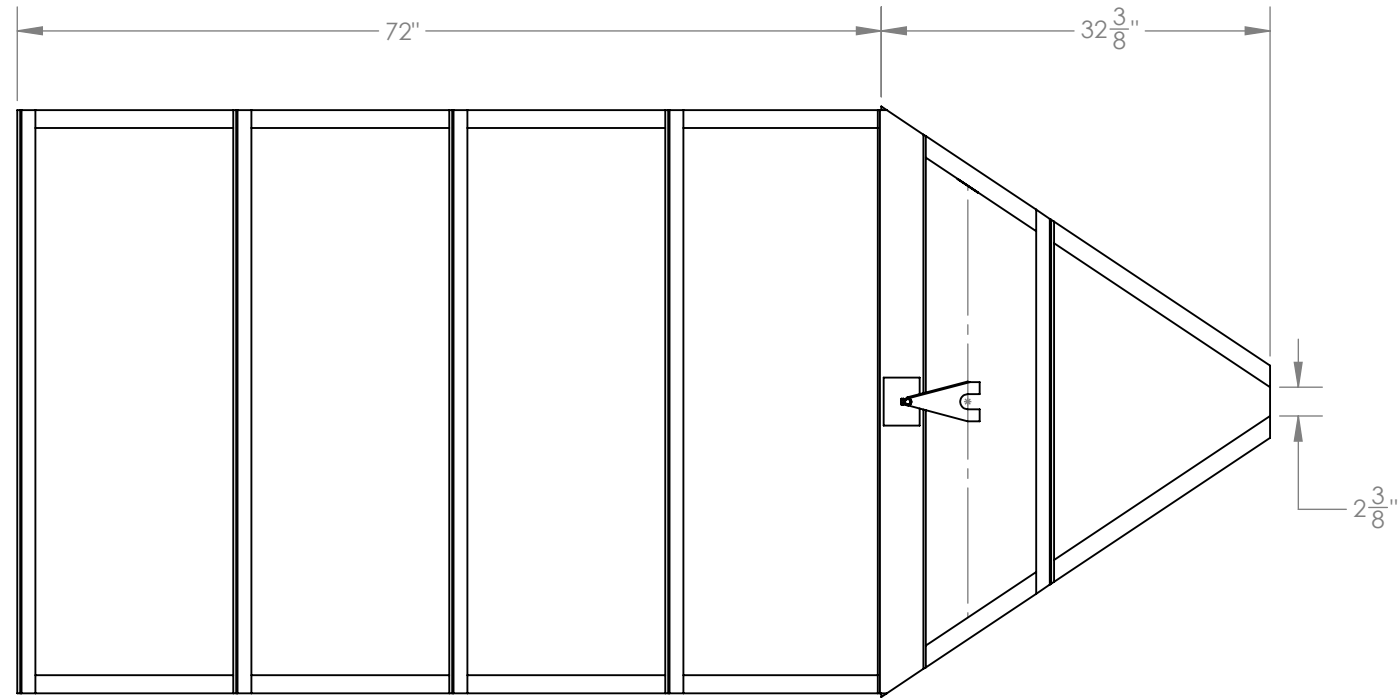
**PROPRIETARY AND CONFIDENTIAL**  
THE INFORMATION CONTAINED IN THIS DRAWING IS THE SOLE PROPERTY OF Virtual Polymer Compounds, LLC. ANY REPRODUCTION IN PART OR AS A WHOLE WITHOUT THE WRITTEN PERMISSION OF Virtual Polymer Compounds, LLC IS PROHIBITED.

UNLESS OTHERWISE SPECIFIED:	NAME	DATE
DIMENSIONS ARE IN INCHES	DRAWN	LVR 8/31/2020
TOLERANCES:	CHECKED	
FRACTIONAL ±	ENG APPR.	
ANGULAR: MACH ± BEND ±	MFG APPR.	
TWO PLACE DECIMAL ±	Q.A.	
THREE PLACE DECIMAL ±	COMMENTS:	
INTERPRET GEOMETRIC TOLERANCING PER:		
MATERIAL: POLYESTER RESIN	3rd ANGLE PROJECTION	
FINISH:	DO NOT SCALE DRAWING	

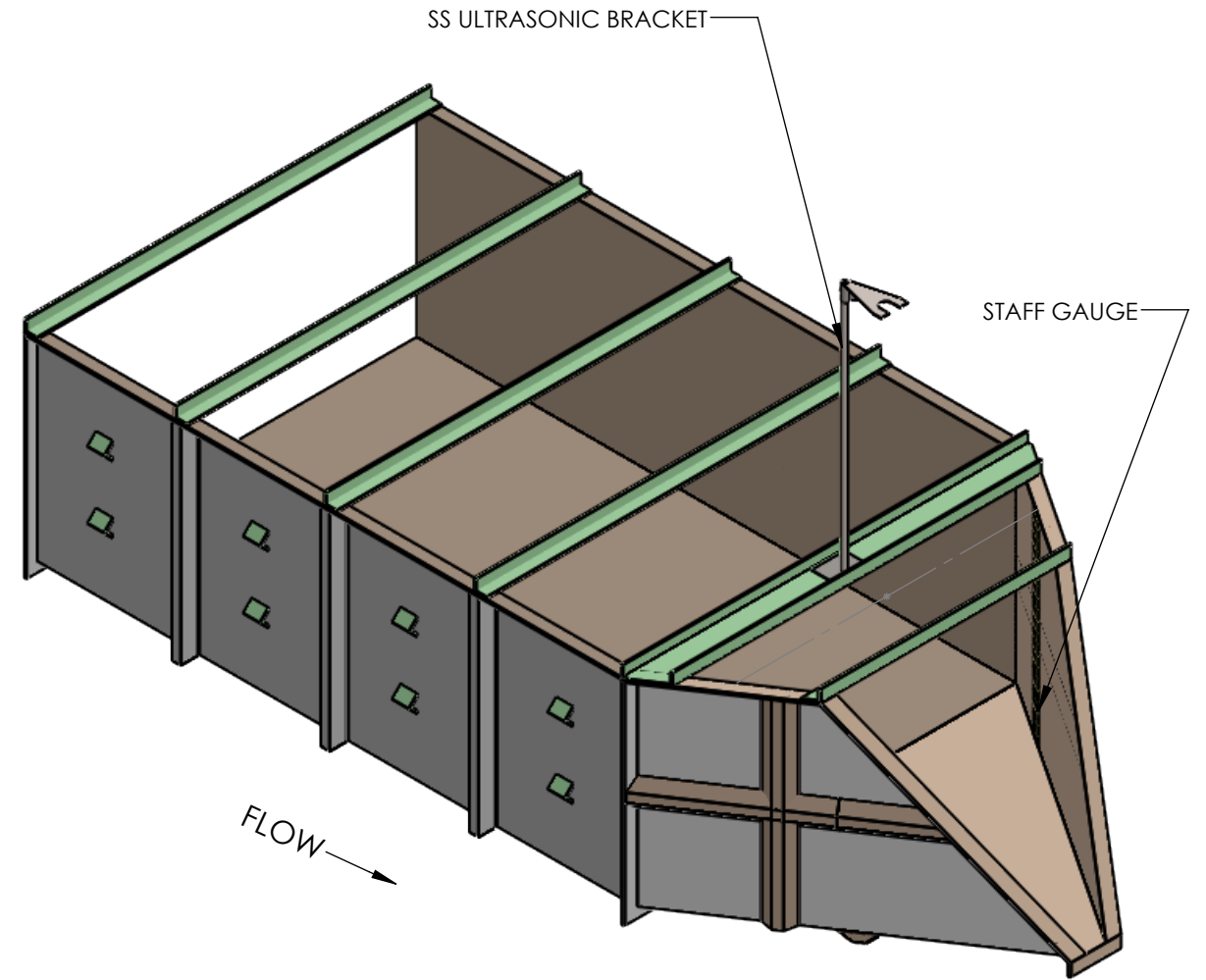
		10478 Ridge Rd., Medina NY 14103 Toll Free: 888-290-9522 Phone: 585-735-9668	
TITLE:		2.0H FLUME	
Project:		NO OPTIONS	
SIZE	DWG. NO.	REV	
<b>B</b>		A	
SCALE: 1:10	Weight 37.99	SHEET 3 OF 5	

8 7 6 5 4 3 2 1

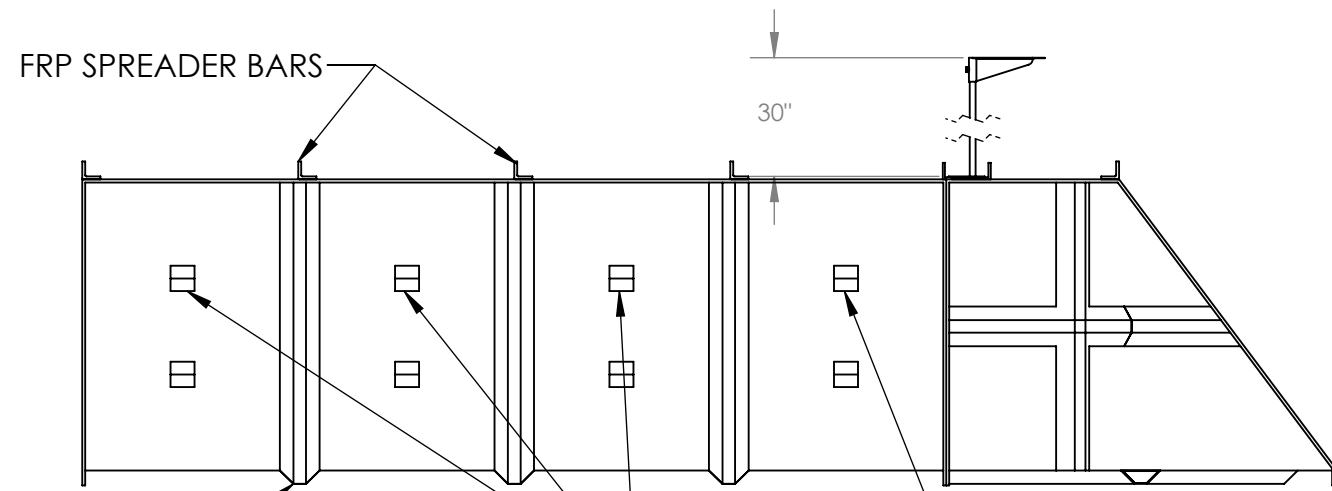
8 7 6 5 4 3 2 1



FLOW → PLAN VIEW



ISOMETRIC VIEW  
SCALE; 1:16



FLOW → SIDE VIEW

**PROPRIETARY AND CONFIDENTIAL**  
THE INFORMATION CONTAINED IN THIS DRAWING IS THE SOLE PROPERTY OF Virtual Polymer Compounds, LLC. ANY REPRODUCTION IN PART OR AS A WHOLE WITHOUT THE WRITTEN PERMISSION OF Virtual Polymer Compounds, LLC IS PROHIBITED.

UNLESS OTHERWISE SPECIFIED:	NAME	DATE
DIMENSIONS ARE IN INCHES	DRAWN	LVR 8/31/2020
TOLERANCES:	CHECKED	
FRACTIONAL ±	ENG APPR.	
ANGULAR: MACH ± BEND ±	MFG APPR.	
TWO PLACE DECIMAL ±	Q.A.	
THREE PLACE DECIMAL ±	COMMENTS:	
INTERPRET GEOMETRIC TOLERANCING PER:		
MATERIAL	3rd ANGLE PROJECTION	
POLYESTER RESIN		
FINISH		
DO NOT SCALE DRAWING		

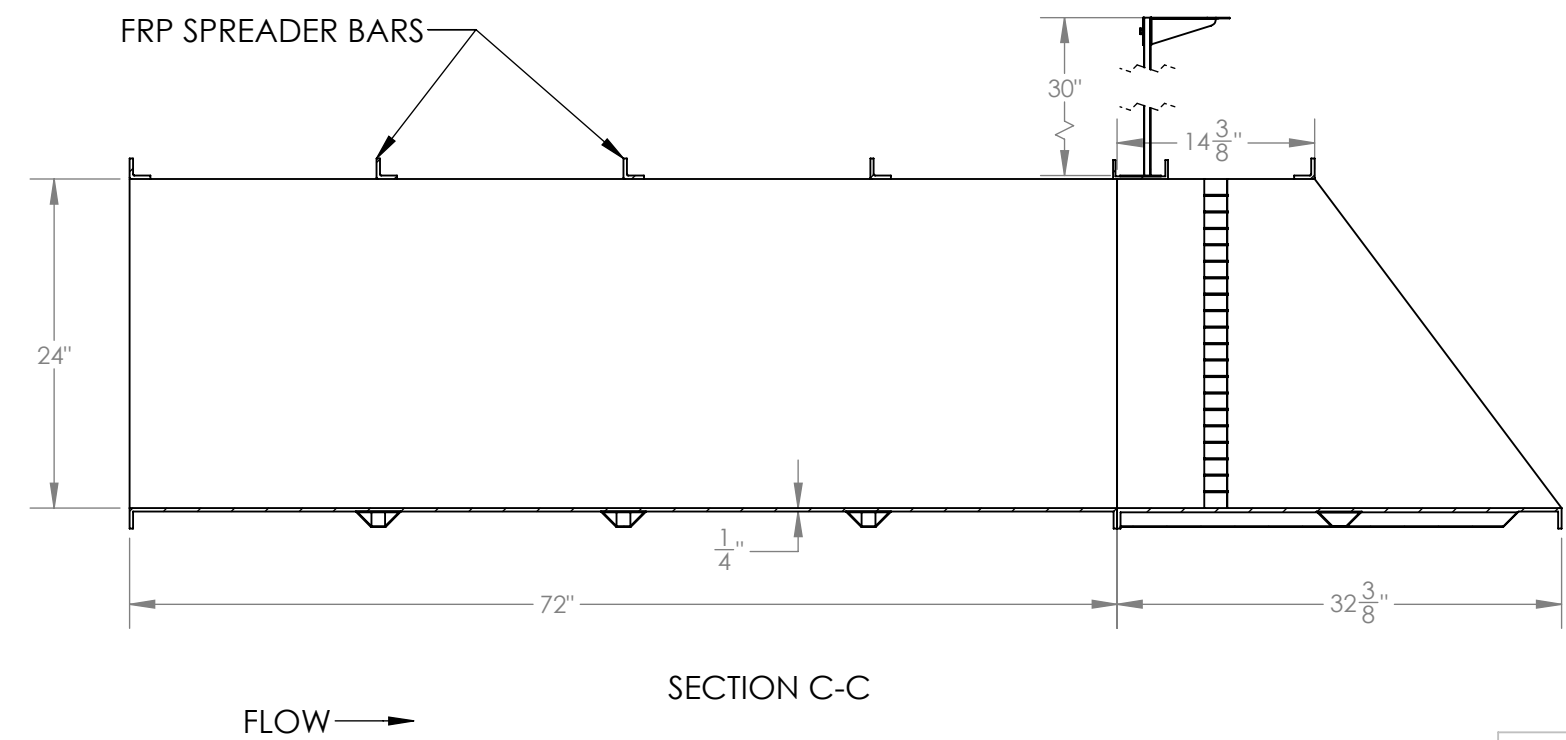
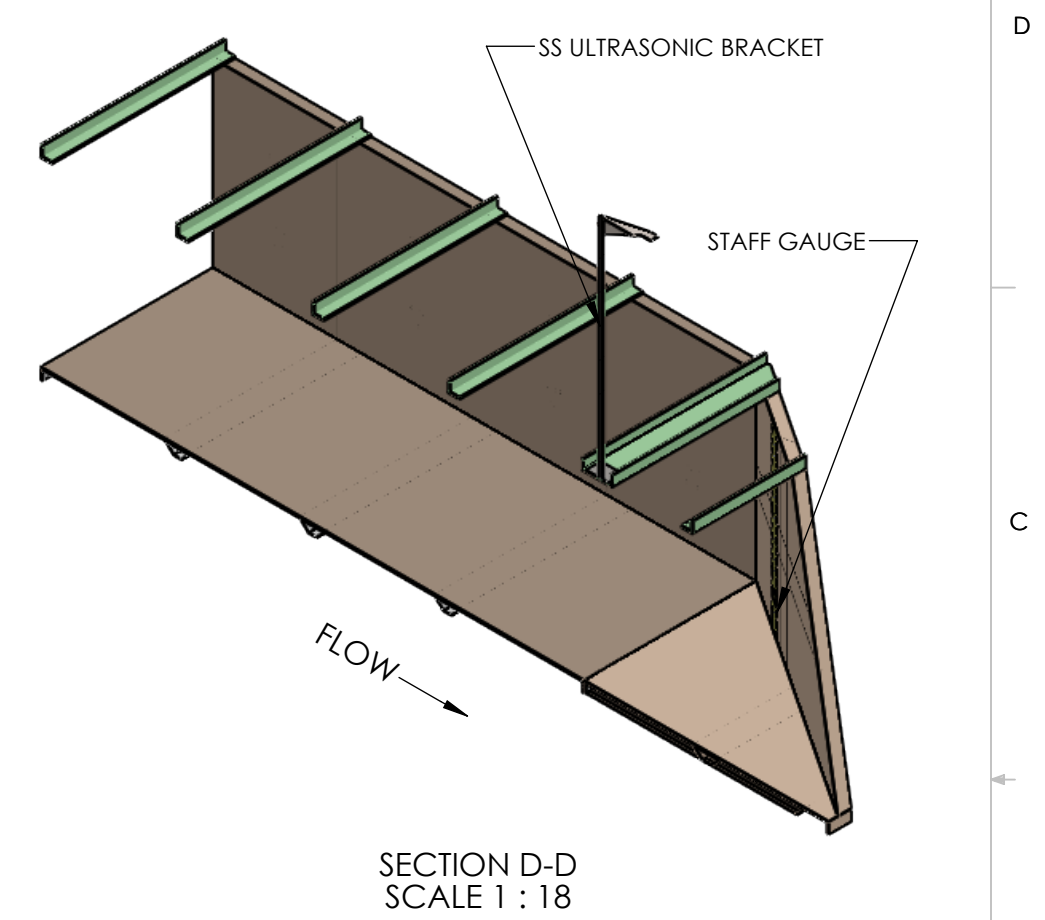
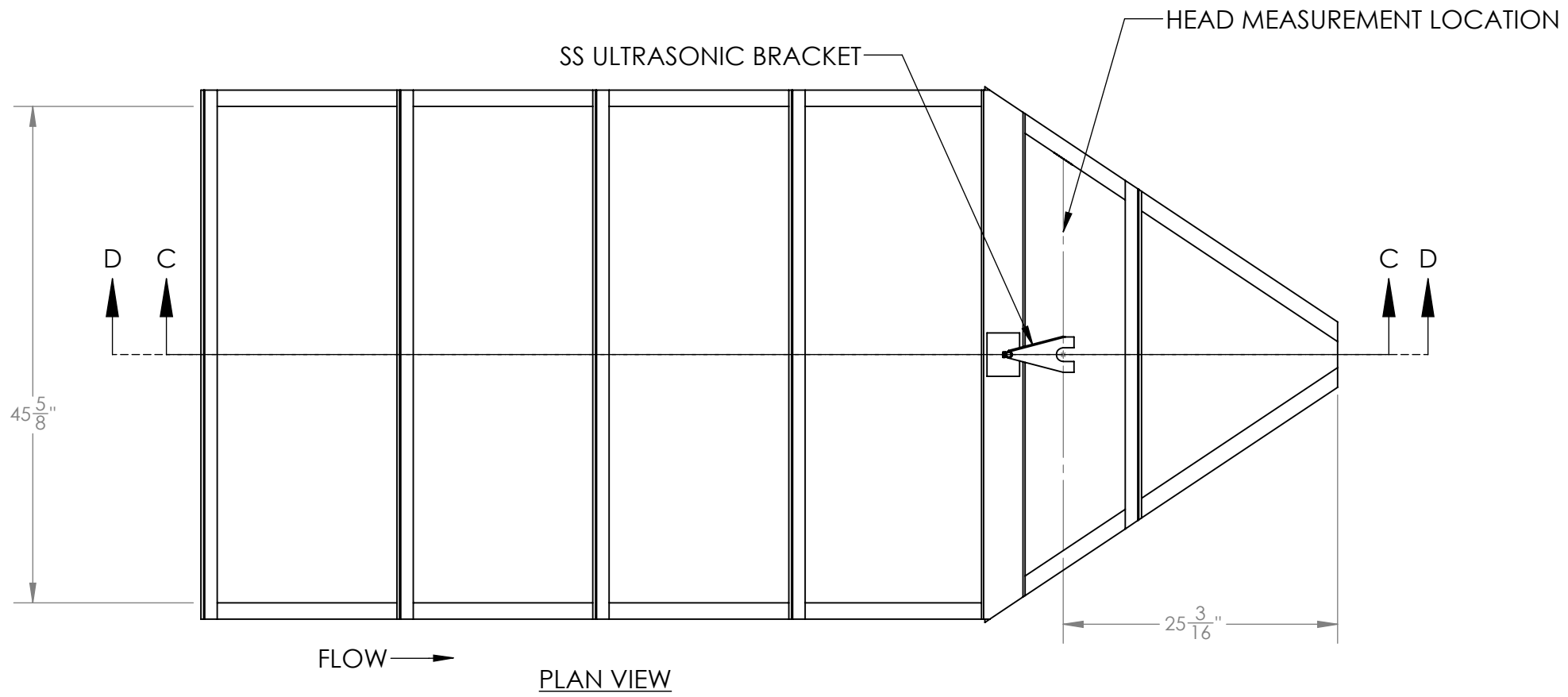
**VPC** 10478 Ridge Rd., Medina NY 14103  
FIBERGLASS Toll Free: 888-290-9522 Phone: 585-735-9668

TITLE: 2.0H FLUME		
Project: WITH OPTIONS		
SIZE <b>B</b>	DWG. NO.	REV A
SCALE: 1:16	Weight 147.51	SHEET 4 OF 5

8 7 6 5 4 3 2 1

8 7 6 5 4 3 2 1

D  
C  
B  
A



**PROPRIETARY AND CONFIDENTIAL**  
 THE INFORMATION CONTAINED IN THIS DRAWING IS THE SOLE PROPERTY OF Virtual Polymer Compounds, LLC. ANY REPRODUCTION IN PART OR AS A WHOLE WITHOUT THE WRITTEN PERMISSION OF Virtual Polymer Compounds, LLC IS PROHIBITED.

UNLESS OTHERWISE SPECIFIED:

DIMENSIONS ARE IN INCHES  
 TOLERANCES:  
 FRACTIONAL ±  
 ANGULAR: MACH ± BEND ±  
 TWO PLACE DECIMAL ±  
 THREE PLACE DECIMAL ±

INTERPRET GEOMETRIC TOLERANCING PER:

MATERIAL  
 POLYESTER RESIN  
 FINISH

DO NOT SCALE DRAWING

	NAME	DATE
DRAWN	LVR	8/31/2020
CHECKED		
ENG APPR.		
MFG APPR.		
Q.A.		

COMMENTS:

3rd ANGLE PROJECTION

10478 Ridge Rd.,  
 Medina NY 14103  
 Toll Free: 888-290-9522  
 Phone: 585-735-9668

TITLE: 2.0H FLUME

Project: WITH OPTIONS

SIZE <b>B</b>	DWG. NO.	REV A
------------------	----------	----------

SCALE: 1:14 Weight 147.51 SHEET 5 OF 5

8 7 6 5 4 3 2 1