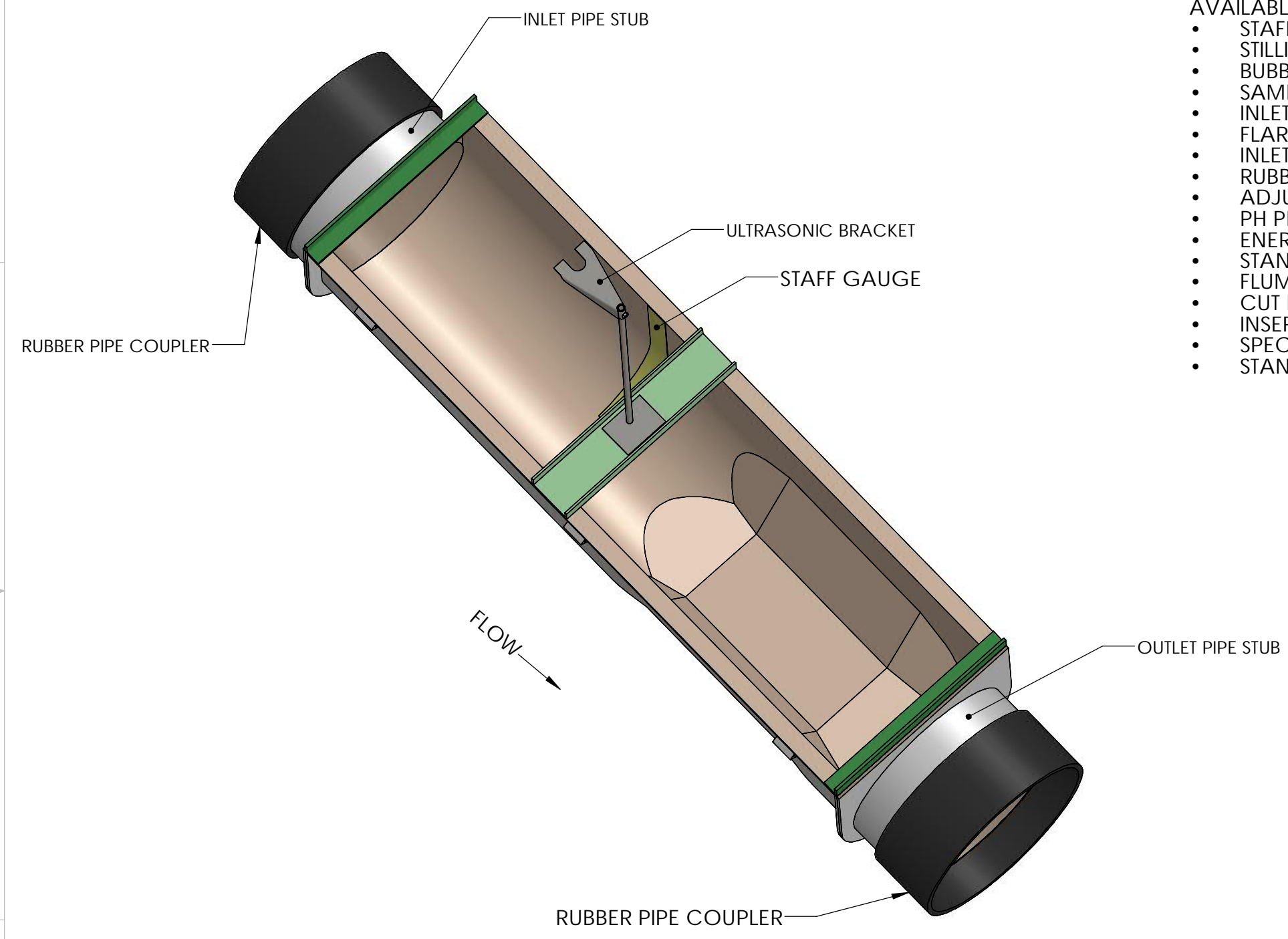


8 7 6 5 4 3 2 1


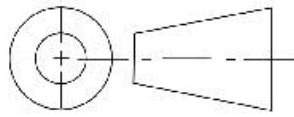
D
C
B
A

D
C
B
A



- AVAILABLE OPTIONS:
- STAFF GAUGE (ENGLISH OR METRIC).
 - STILLING WELL (INTEGRAL OR REMOTE).
 - BUBBLER TUBE (SS 1/4" ID, INTEGRAL OR REMOVABLE).
 - SAMPLER TUBE (SS 3/8" ID, INTEGRAL OR REMOVABLE).
 - INLET AND OUTLET PIPE STUBS.
 - FLARED INLET AND OUTLET TRANSITIONS PIPE STUBS.
 - INLET AND OUTLET BULKHEADS.
 - RUBBER PIPE COUPLERS W/ SS CLAMP BANDS.
 - ADJUSTABLE SS ULTRASONIC BRACKET.
 - PH PROBE CAVITY.
 - ENERGY ABSORBING RACKS. (FIXED OR REMOVABLE).
 - STANDARD OR SPECIAL DEPTHS (INCLUDING SURGE BOXES).
 - FLUME COVERS (GRATING, FIBER SHEETING, CLEAR POLYCARBONATE).
 - CUT BACK DESIGN.
 - INSERT DESIGN.
 - SPECIAL DESIGN (TO MEET SPECIAL PROJECT NEEDS).
 - STANDARD COLOR IS BEIGE (CUSTOM COLORS AVAILABLE).

PROPRIETARY AND CONFIDENTIAL
 THE INFORMATION CONTAINED IN THIS DRAWING IS THE SOLE PROPERTY OF VIRTUAL POLYMER COMPOUNDS, LLC. ANY REPRODUCTION IN PART OR AS A WHOLE WITHOUT THE WRITTEN PERMISSION OF VIRTUAL POLYMER COMPOUNDS, LLC IS PROHIBITED.

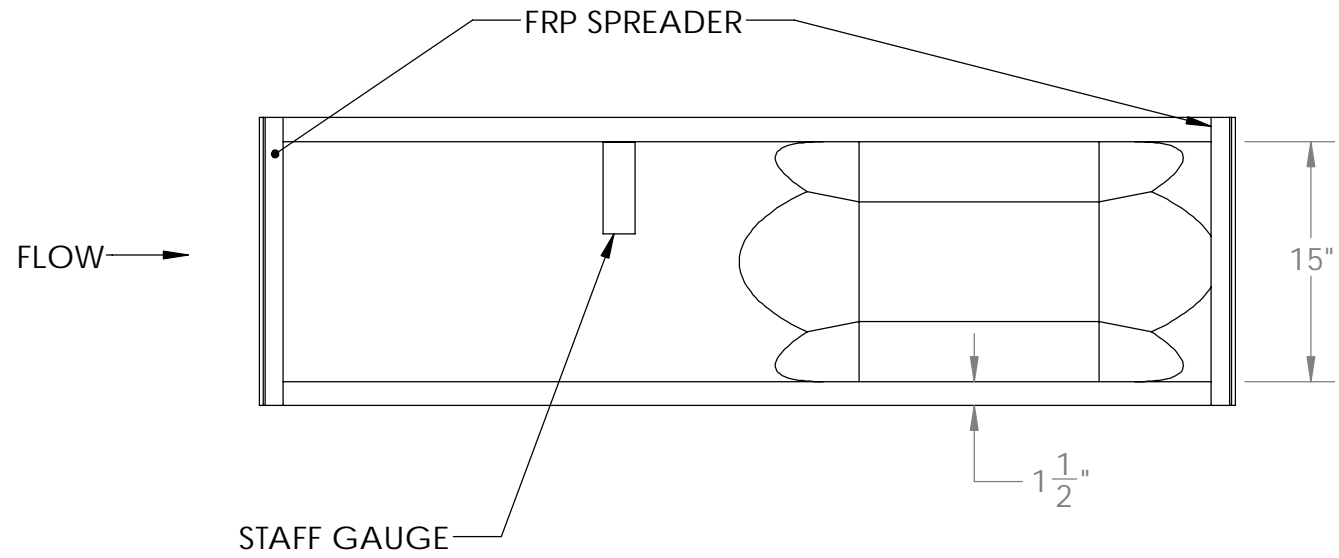
UNLESS OTHERWISE SPECIFIED:		NAME	DATE	 VPC FIBERGLASS 10478 Ridge Rd., Medina NY 14103 Toll Free: 888-290-9522 Phone: 585-735-9668
DIMENSIONS ARE IN INCHES TOLERANCES: FRACTIONAL ± ANGULAR: MACH ± BEND ± TWO PLACE DECIMAL ± THREE PLACE DECIMAL ±		DRAWN	LVR	
INTERPRET GEOMETRIC TOLERANCING PER:		CHECKED		
MATERIAL POLYESTER RESIN FINISH		ENG APPR.		
DO NOT SCALE DRAWING		MFG APPR.		
3rd ANGLE PROJECTION		Q.A.		
				TITLE: 15 IN PALMER BOWLUS FLUME Project: WITH OPTIONS
SIZE B	DWG. NO.		REV A	
SCALE: 1:10		Weight 52.16	SHEET 1 OF 5	

8 7 6 5 4 3 2 1

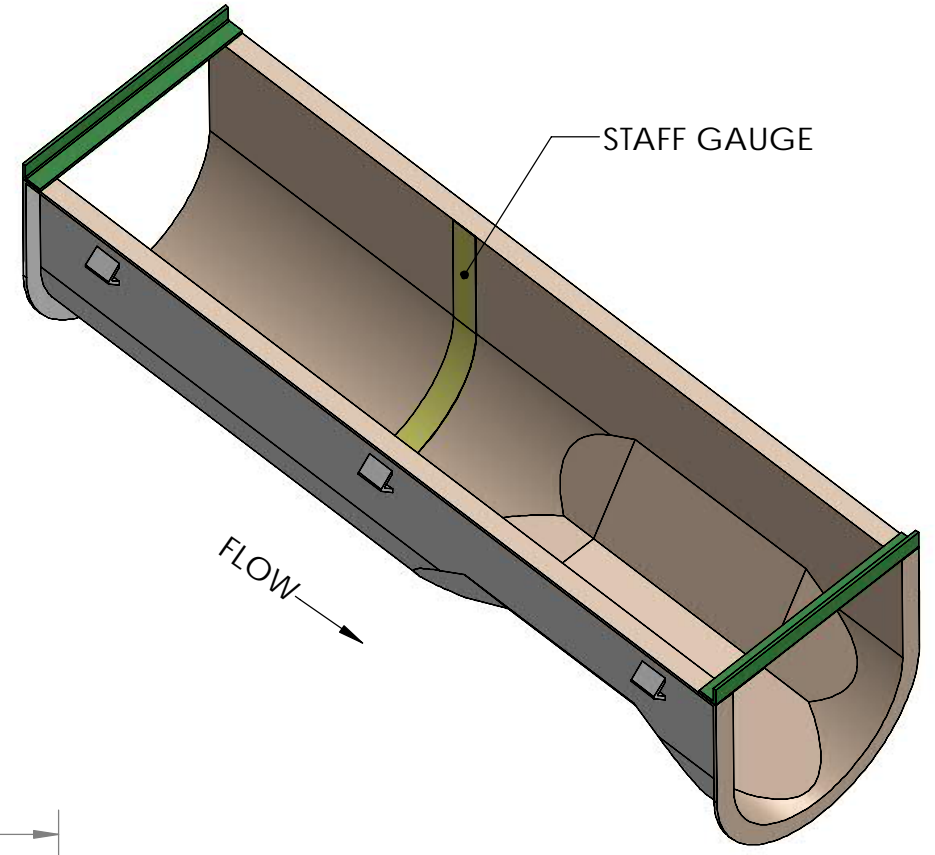
8 7 6 5 4 3 2 1

D

D



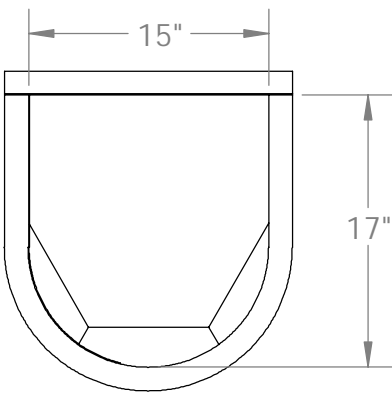
PLAN VIEW



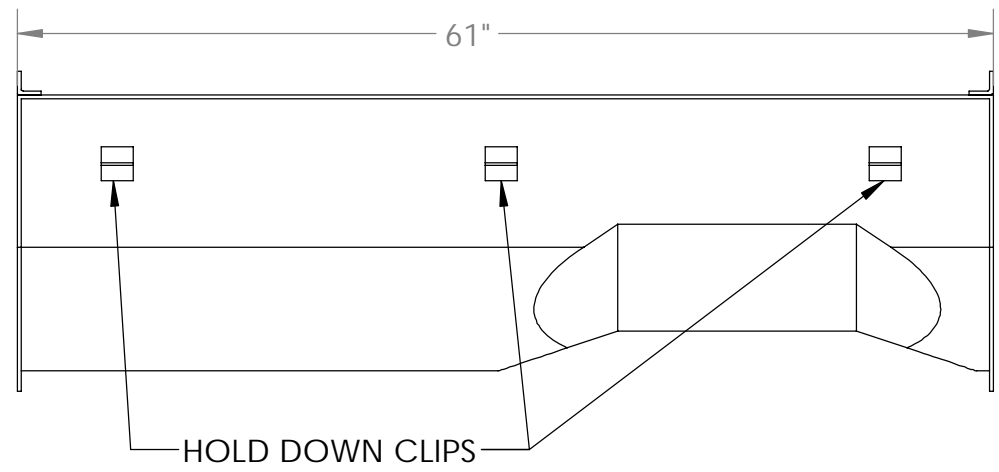
ISOMETRIC VIEW

C

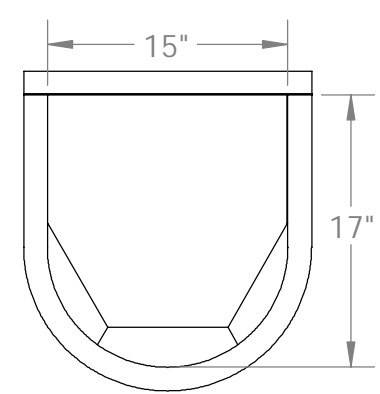
C



END VIEW
(LOOKING DOWNSTREAM)



SIDE VIEW


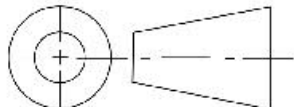


END VIEW
(LOOKING UPSTREAM)

- NOTES:
- 1) INTERIOR GEL COAT COLOR TO BE BEIGE.
 - 2) EXTERIOR GEL COAT COLOR TO BE WHITE.
 - 3) NOMINAL MATERIAL THICKNESS = 1/4".

A

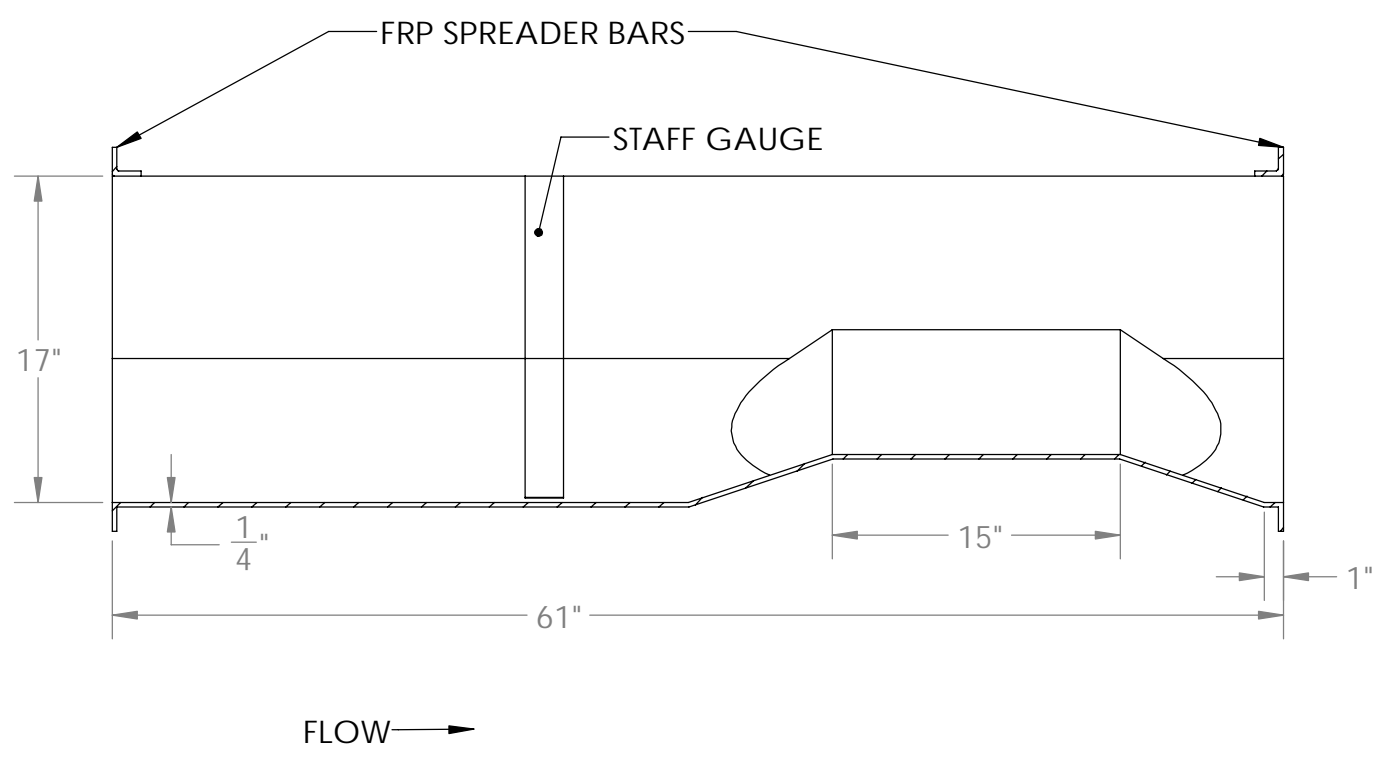
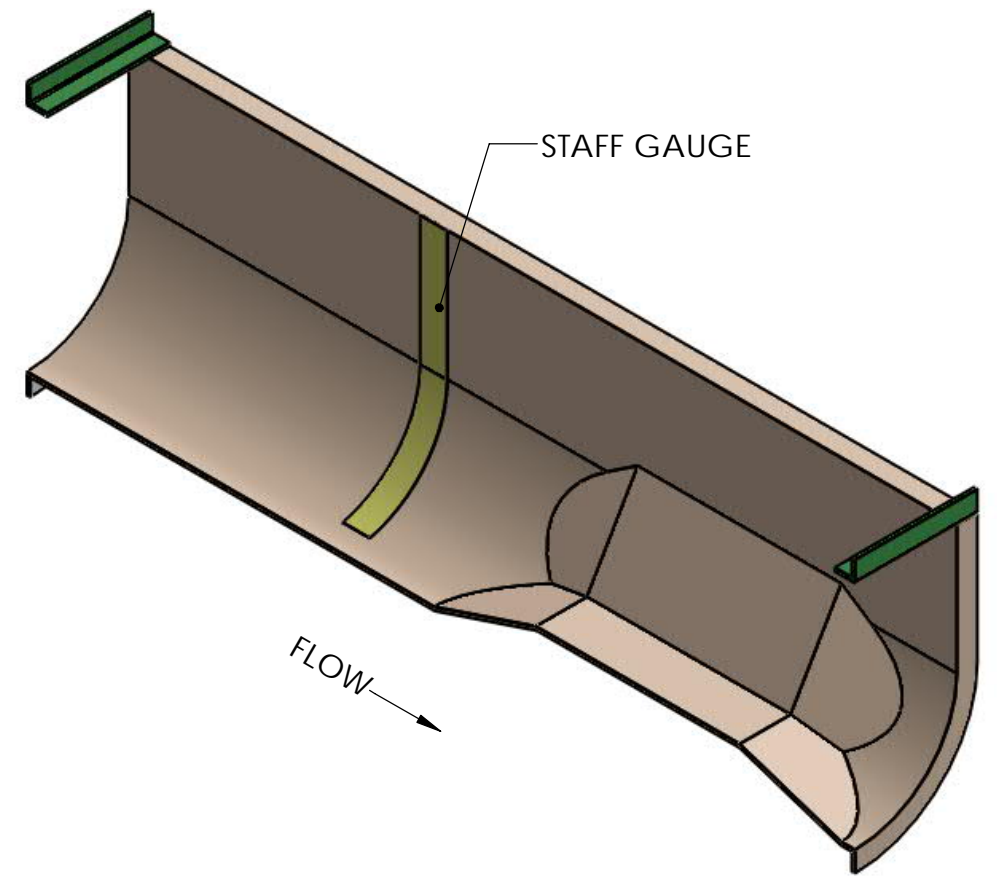
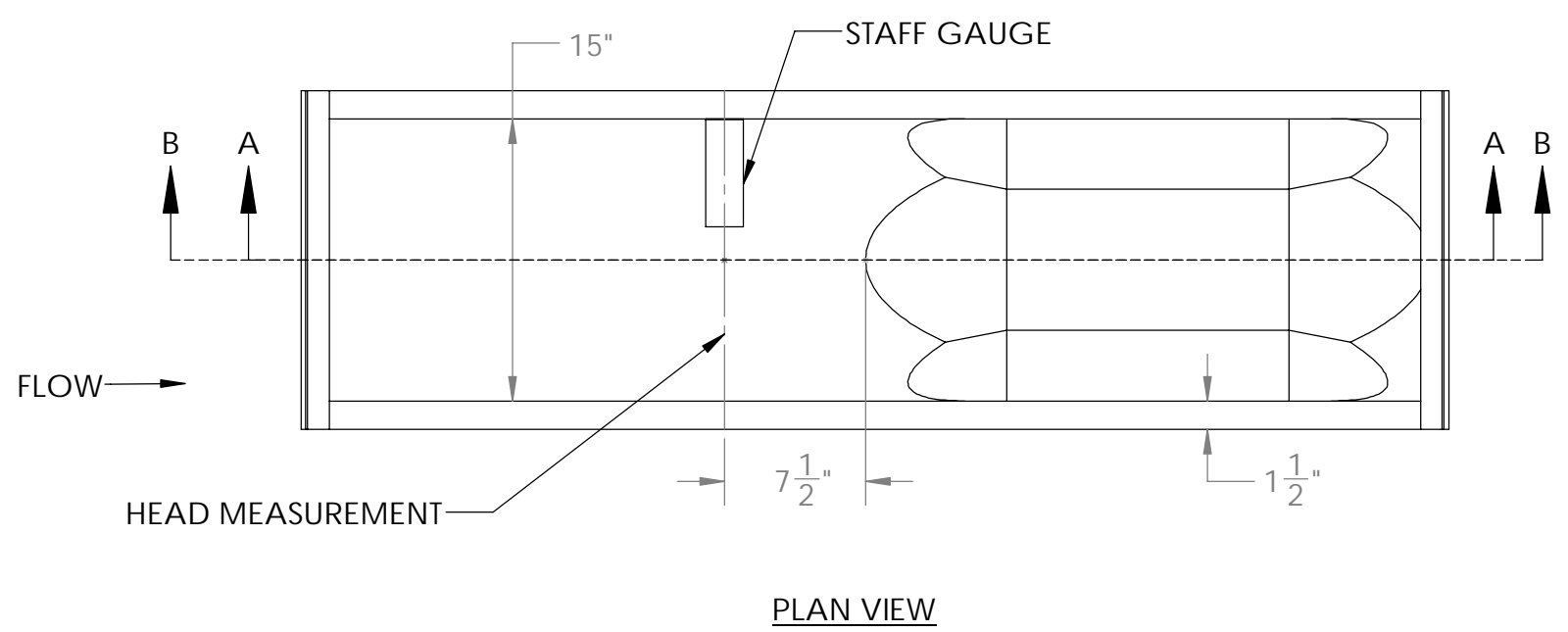
A

UNLESS OTHERWISE SPECIFIED: DIMENSIONS ARE IN INCHES TOLERANCES: FRACTIONAL ± ANGULAR: MACH ± BEND ± TWO PLACE DECIMAL ± THREE PLACE DECIMAL ±	NAME	DATE	 VPC FIBERGLASS 10478 Ridge Rd., Medina NY 14103 Toll Free: 888-290-9522 Phone: 585-735-9668	
	DRAWN	LVR		9/17/2020
	CHECKED			
	ENG APPR.			
INTERPRET GEOMETRIC TOLERANCING PER:	Q.A.		TITLE: 15 IN PALMER BOWLUS FLUME	
MATERIAL POLYESTER RESIN FINISH			Project: WITHOUT OPTIONS	
DO NOT SCALE DRAWING	 3rd ANGLE PROJECTION		SIZE DWG. NO. REV B	
	SCALE: 1:12 Weight 26.68		SHEET 2 OF 5	

PROPRIETARY AND CONFIDENTIAL
THE INFORMATION CONTAINED IN THIS DRAWING IS THE SOLE PROPERTY OF VIRTUAL POLYMER COMPOUNDS, LLC. ANY REPRODUCTION IN PART OR AS A WHOLE WITHOUT THE WRITTEN PERMISSION OF VIRTUAL POLYMER COMPOUNDS, LLC IS PROHIBITED.

8 7 6 5 4 3 2 1

8 7 6 5 4 3 2 1



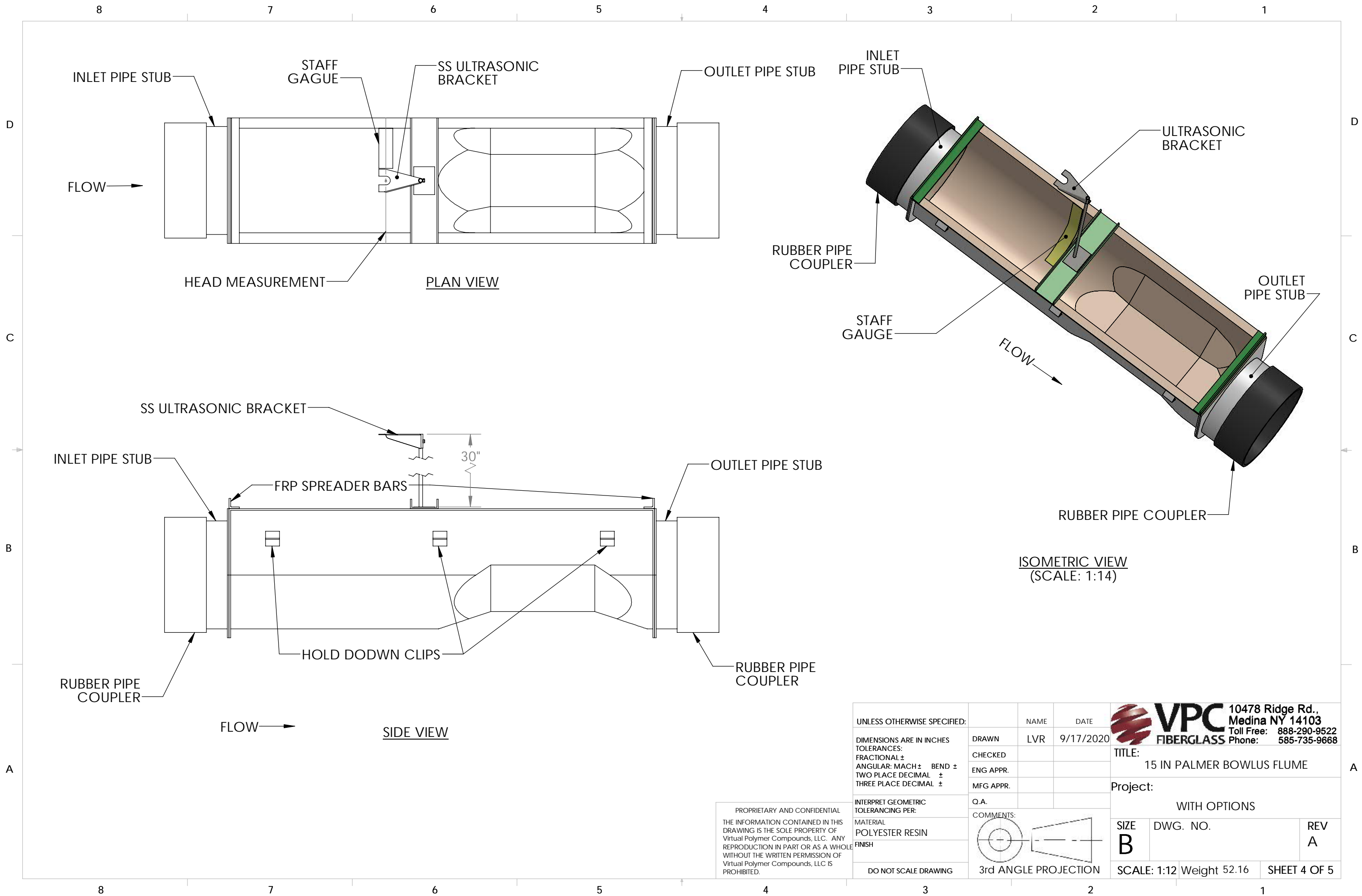
PROPRIETARY AND CONFIDENTIAL
THE INFORMATION CONTAINED IN THIS DRAWING IS THE SOLE PROPERTY OF Virtual Polymer Compounds, LLC. ANY REPRODUCTION IN PART OR AS A WHOLE WITHOUT THE WRITTEN PERMISSION OF Virtual Polymer Compounds, LLC IS PROHIBITED.


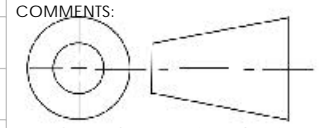
UNLESS OTHERWISE SPECIFIED:	NAME	DATE
DIMENSIONS ARE IN INCHES	DRAWN	LVR 9/17/2020
TOLERANCES:	CHECKED	
FRACTIONAL ±	ENG APPR.	
ANGULAR: MACH ± BEND ±	MFG APPR.	
TWO PLACE DECIMAL ±	Q.A.	
THREE PLACE DECIMAL ±	COMMENTS:	
INTERPRET GEOMETRIC TOLERANCING PER:		
MATERIAL: POLYESTER RESIN FINISH	3rd ANGLE PROJECTION	
DO NOT SCALE DRAWING		

VPC 10478 Ridge Rd., Medina NY 14103
FIBERGLASS Toll Free: 888-290-9522 Phone: 585-735-9668

TITLE: 15 IN PALMER BOWLUS FLUME		
Project: WITHOUT OPTIONS		
SIZE B	DWG. NO.	REV A
SCALE: 1:10	Weight 26.68	SHEET 3 OF 5

8 7 6 5 4 3 2 1

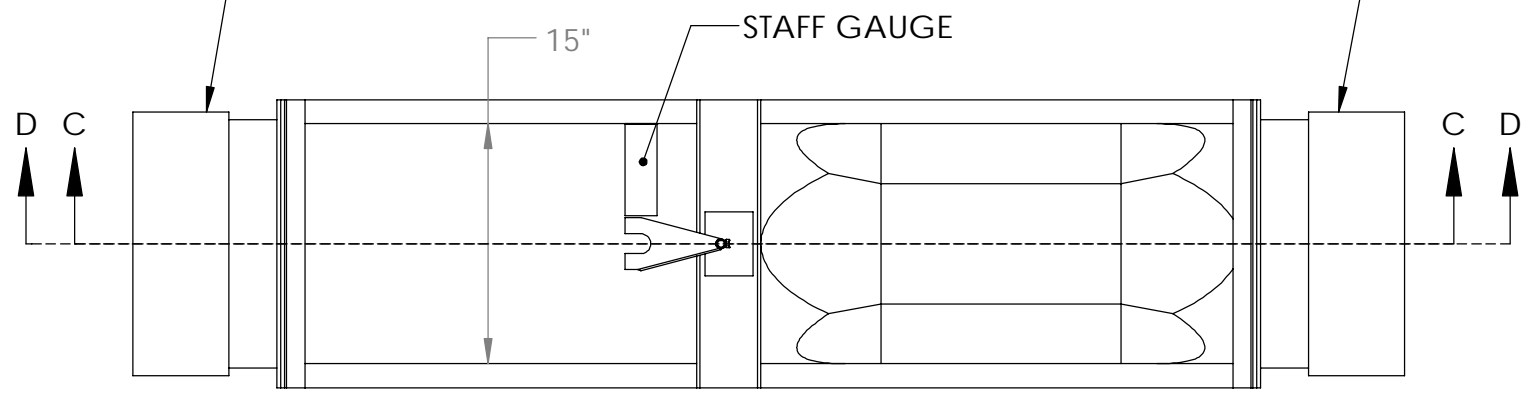


UNLESS OTHERWISE SPECIFIED:		NAME	DATE	 VPC 10478 Ridge Rd., Medina NY 14103 Toll Free: 888-290-9522 Phone: 585-735-9668						
DIMENSIONS ARE IN INCHES		DRAWN	LVR 9/17/2020							
TOLERANCES:		CHECKED								
FRACTIONAL ± ANGULAR: MACH ± BEND ± TWO PLACE DECIMAL ± THREE PLACE DECIMAL ±		ENG APPR.								
INTERPRET GEOMETRIC TOLERANCING PER:		MFG APPR.		TITLE: 15 IN PALMER BOWLUS FLUME						
MATERIAL POLYESTER RESIN FINISH		Q.A.		Project: WITH OPTIONS						
DO NOT SCALE DRAWING		COMMENTS:		<table border="1"> <tr> <td>SIZE</td> <td>DWG. NO.</td> <td>REV</td> </tr> <tr> <td>B</td> <td></td> <td>A</td> </tr> </table>	SIZE	DWG. NO.	REV	B		A
SIZE	DWG. NO.	REV								
B		A								
		 3rd ANGLE PROJECTION		SCALE: 1:12 Weight 52.16 SHEET 4 OF 5						

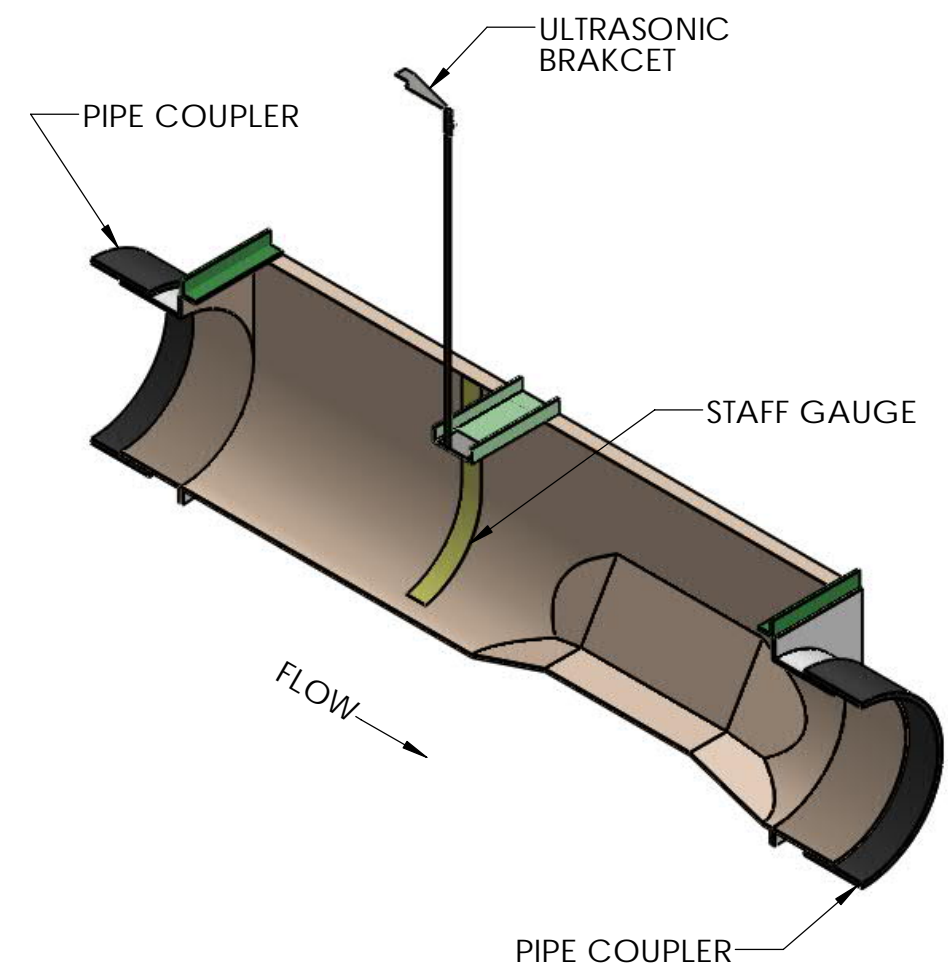
PROPRIETARY AND CONFIDENTIAL
 THE INFORMATION CONTAINED IN THIS DRAWING IS THE SOLE PROPERTY OF Virtual Polymer Compounds, LLC. ANY REPRODUCTION IN PART OR AS A WHOLE WITHOUT THE WRITTEN PERMISSION OF Virtual Polymer Compounds, LLC IS PROHIBITED.

8 7 6 5 4 3 2 1

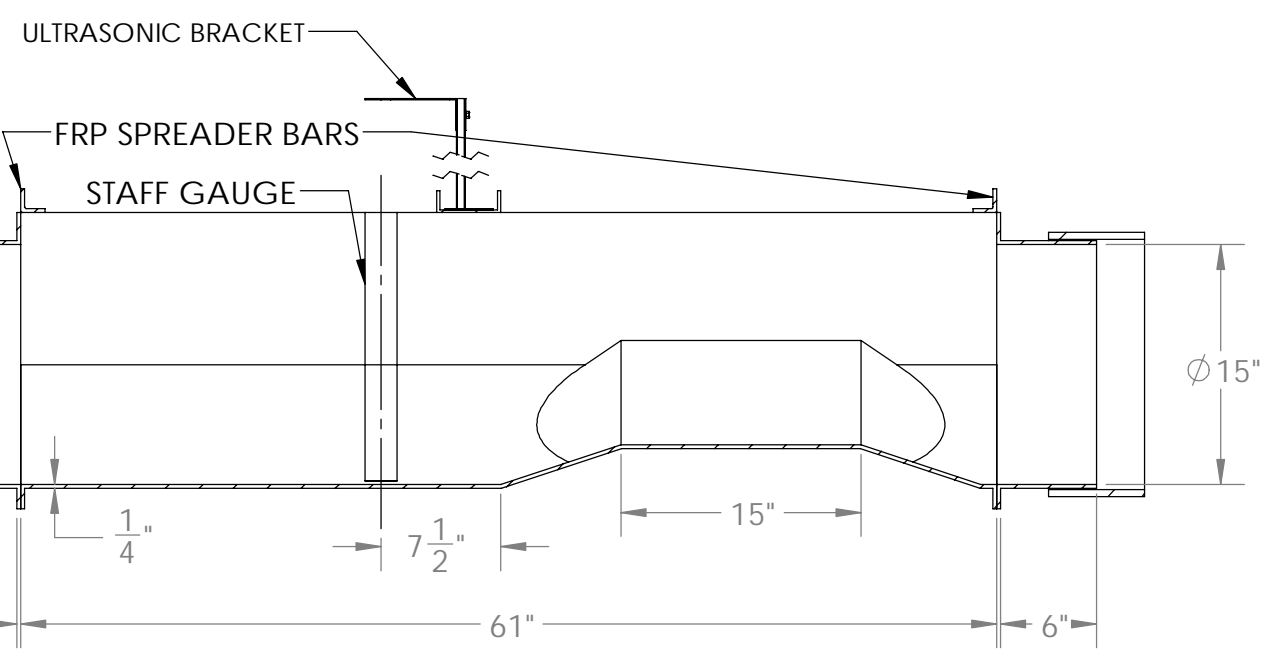
RUBBER PIPE COUPLER RUBBER PIPE COUPLER



FLOW → PLAN VIEW




SECTION D-D
SCALE 1 : 14



FLOW → SECTION C-C

PROPRIETARY AND CONFIDENTIAL
THE INFORMATION CONTAINED IN THIS DRAWING IS THE SOLE PROPERTY OF Virtual Polymer Compounds, LLC. ANY REPRODUCTION IN PART OR AS A WHOLE WITHOUT THE WRITTEN PERMISSION OF Virtual Polymer Compounds, LLC IS PROHIBITED.

UNLESS OTHERWISE SPECIFIED:		NAME	DATE	 10478 Ridge Rd., Medina NY 14103 Toll Free: 888-290-9522 Phone: 585-735-9668
DIMENSIONS ARE IN INCHES TOLERANCES: FRACTIONAL ± ANGULAR: MACH ± BEND ± TWO PLACE DECIMAL ± THREE PLACE DECIMAL ±		DRAWN	LVR 9/17/2020	
INTERPRET GEOMETRIC TOLERANCING PER:		CHECKED		TITLE: 15 IN PALMER BOWLUS FLUME
MATERIAL POLYESTER RESIN FINISH		ENG APPR.		Project: WITH OPTIONS
DO NOT SCALE DRAWING		MFG APPR.		SIZE DWG. NO. REV B
3rd ANGLE PROJECTION		Q.A.		SCALE: 1:12 Weight 52.16 SHEET 5 OF 5
		COMMENTS:		

8 7 6 5 4 3 2 1