

8

7

6

5

4

3

2

1

D

D

C

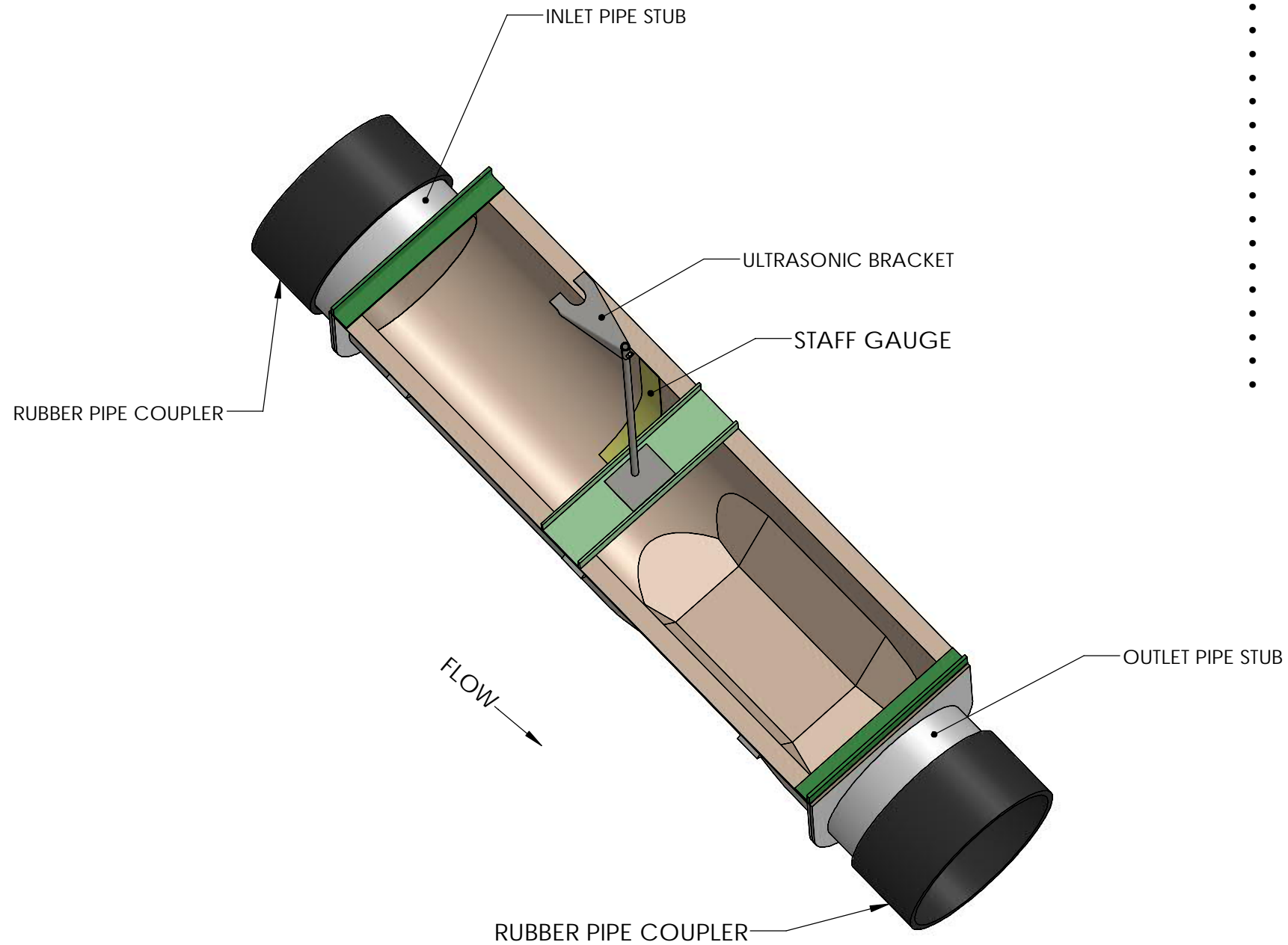
C

B

B


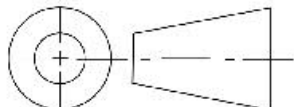
A

A



AVAILABLE OPTIONS:

- STAFF GAUGE (ENGLISH OR METRIC).
- STILLING WELL (INTEGRAL OR REMOTE).
- BUBBLER TUBE (SS 1/4" ID, INTEGRAL OR REMOVABLE).
- SAMPLER TUBE (SS 3/8" ID, INTEGRAL OR REMOVABLE).
- INLET AND OUTLET PIPE STUBS.
- FLARED INLET AND OUTLET TRANSITIONS PIPE STUBS.
- INLET AND OUTLET BULKHEADS.
- RUBBER PIPE COUPLERS W/ SS CLAMP BANDS.
- ADJUSTABLE SS ULTRASONIC BRACKET.
- PH PROBE CAVITY.
- ENERGY ABSORBING RACKS. (FIXED OR REMOVABLE).
- STANDARD OR SPECIAL DEPTHS (INCLUDING SURGE BOXES).
- FLUME COVERS (GRATING, FIBER SHEETING, CLEAR POLYCARBONATE).
- CUT BACK DESIGN.
- INSERT DESIGN.
- SPECIAL DESIGN (TO MEET SPECIAL PROJECT NEEDS).
- STANDARD COLOR IS BEIGE (CUSTOM COLORS AVAILABLE).

UNLESS OTHERWISE SPECIFIED:		NAME	DATE	 <b>VPC</b> FIBERGLASS 10478 Ridge Rd., Medina NY 14103 Toll Free: 888-290-9522 Phone: 585-735-9668
DIMENSIONS ARE IN INCHES TOLERANCES: FRACTIONAL ± ANGULAR: MACH ± BEND ± TWO PLACE DECIMAL ± THREE PLACE DECIMAL ±		DRAWN	LVR	
PROPRIETARY AND CONFIDENTIAL THE INFORMATION CONTAINED IN THIS DRAWING IS THE SOLE PROPERTY OF VIRTUAL POLYMER COMPOUNDS, LLC. ANY REPRODUCTION IN PART OR AS A WHOLE WITHOUT THE WRITTEN PERMISSION OF VIRTUAL POLYMER COMPOUNDS, LLC IS PROHIBITED.		CHECKED		TITLE:
		ENG APPR.		12 IN PALMER BOWLUS FLUME
		MFG APPR.		Project:
INTERPRET GEOMETRIC TOLERANCING PER:		Q.A.		WITH OPTIONS
MATERIAL POLYESTER RESIN FINISH		 3rd ANGLE PROJECTION		SIZE
DO NOT SCALE DRAWING				B
		SCALE: 1:10		Weight 38.95
		SHEET 1 OF 5		

8

7

6

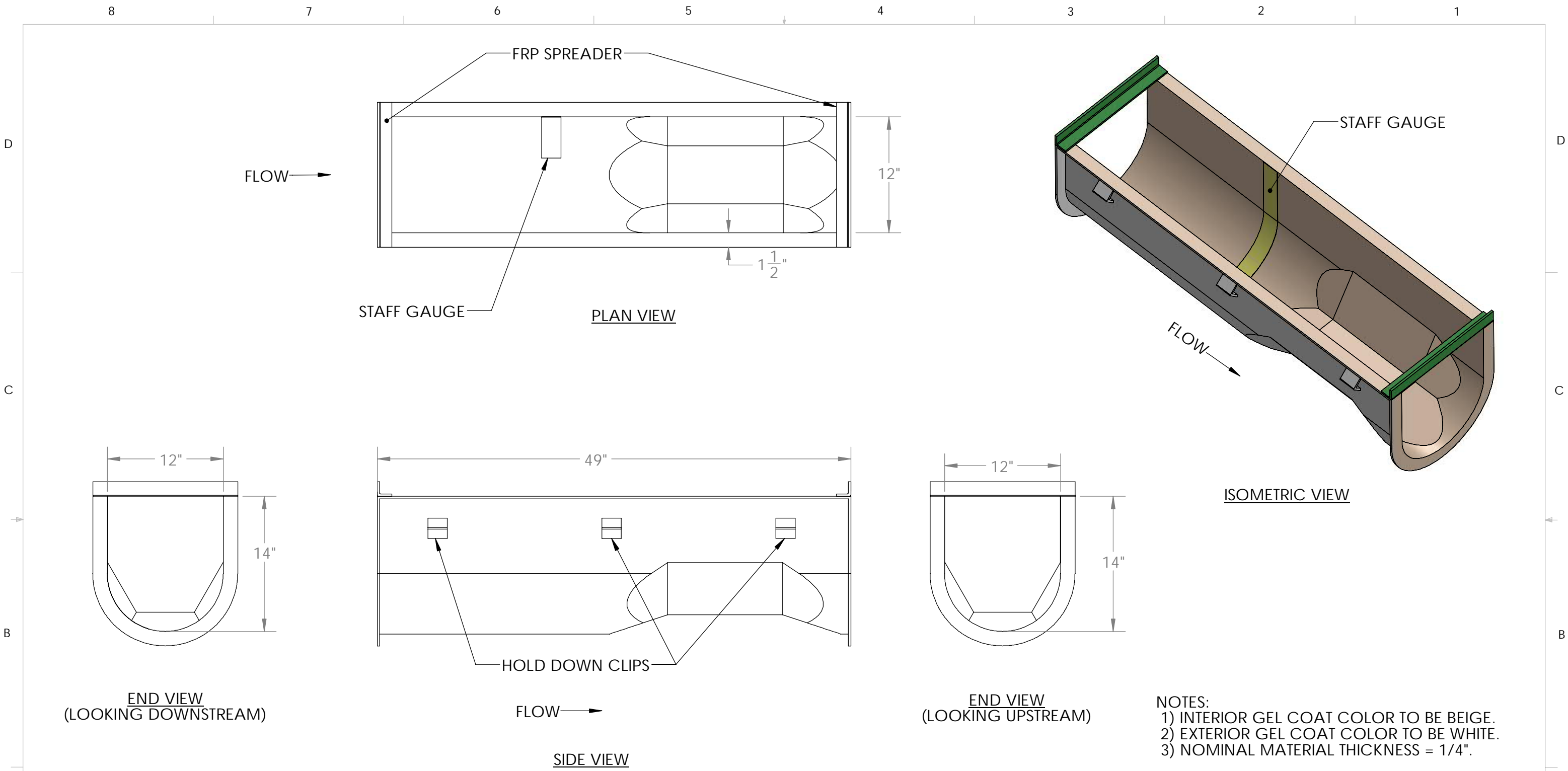
5

4

3

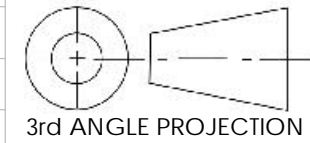
2

1



PROPRIETARY AND CONFIDENTIAL  
 THE INFORMATION CONTAINED IN THIS DRAWING IS THE SOLE PROPERTY OF VIRTUAL POLYMER COMPOUNDS, LLC. ANY REPRODUCTION IN PART OR AS A WHOLE WITHOUT THE WRITTEN PERMISSION OF VIRTUAL POLYMER COMPOUNDS, LLC IS PROHIBITED.

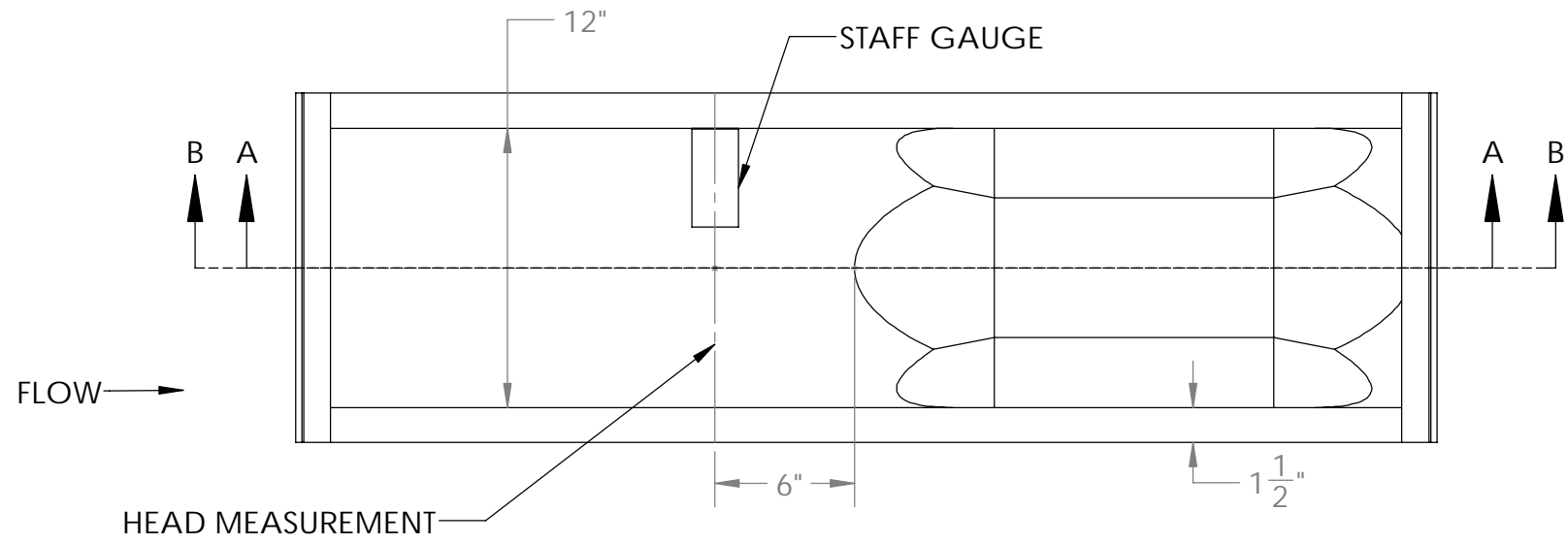
UNLESS OTHERWISE SPECIFIED:	NAME	DATE
DIMENSIONS ARE IN INCHES	DRAWN	LVR
TOLERANCES:	CHECKED	9/17/2020
FRACTIONAL ±	ENG APPR.	
ANGULAR: MACH ± BEND ±	MFG APPR.	
TWO PLACE DECIMAL ±	Q.A.	
THREE PLACE DECIMAL ±		
INTERPRET GEOMETRIC TOLERANCING PER:		
MATERIAL		
POLYESTER RESIN		
FINISH		
DO NOT SCALE DRAWING		



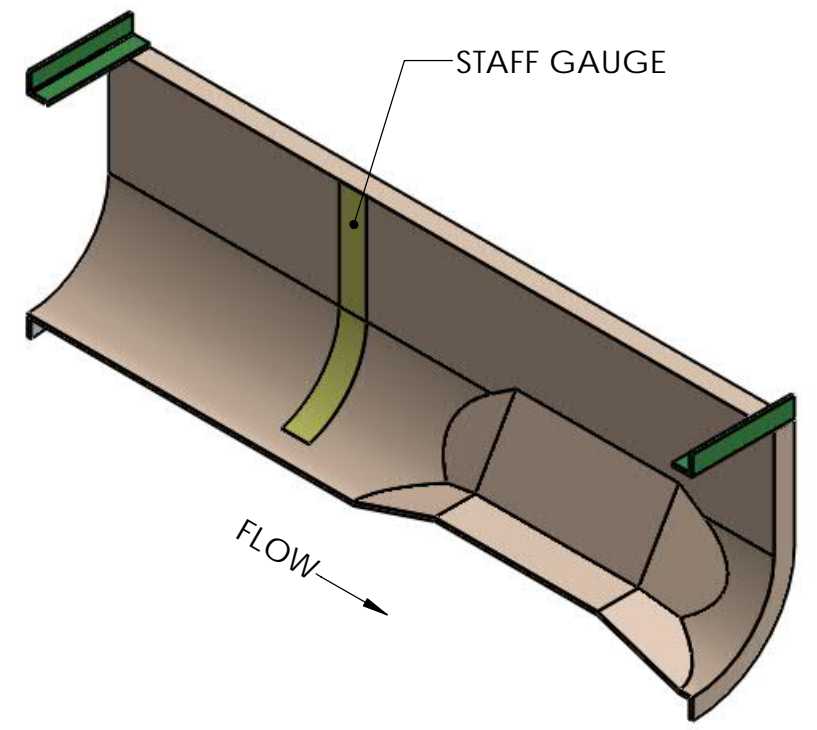
**VPC FIBERGLASS** 10478 Ridge Rd., Medina NY 14103  
 Toll Free: 888-290-9522 Phone: 585-735-9668

TITLE: 12 IN PALMER BOWLUS FLUME		
Project: WITHOUT OPTIONS		
SIZE <b>B</b>	DWG. NO.	REV <b>A</b>
SCALE: 1:10	Weight 18.21	SHEET 2 OF 5

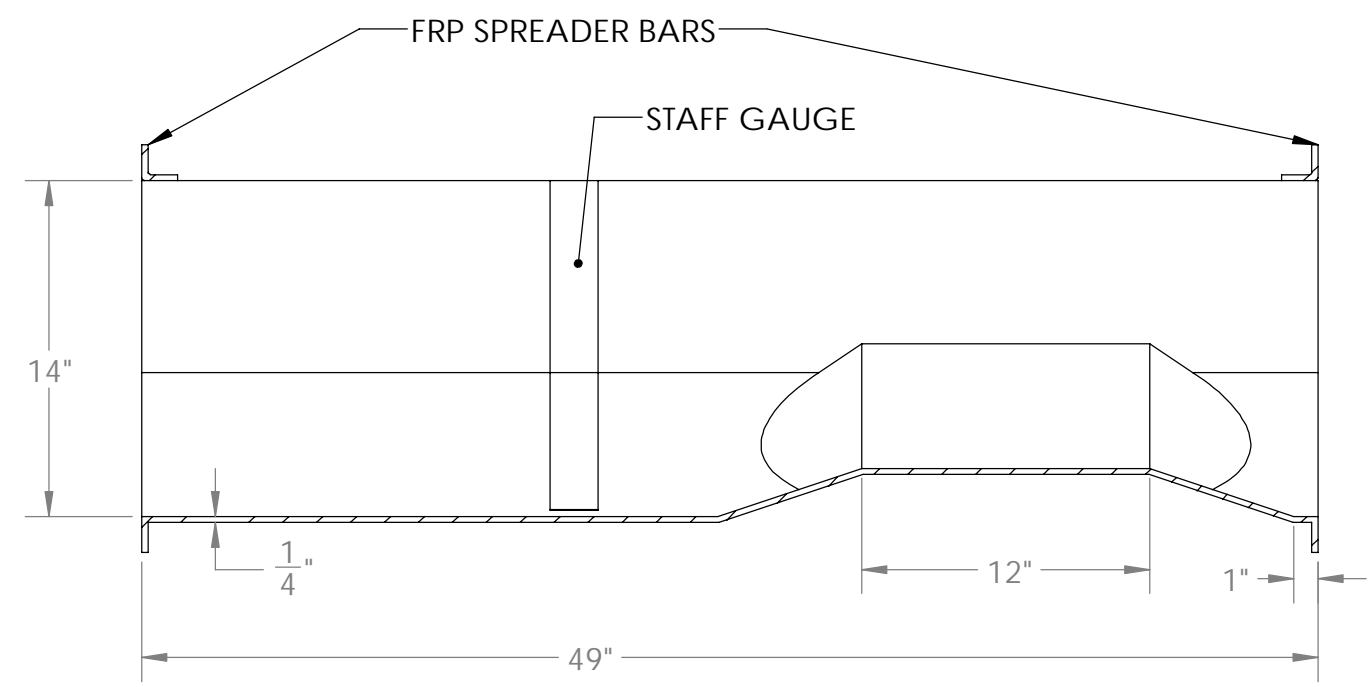
8 7 6 5 4 3 2 1



PLAN VIEW


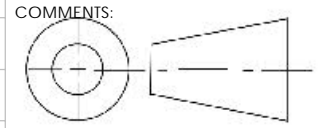


SECTION B-B  
SCALE 1 : 10

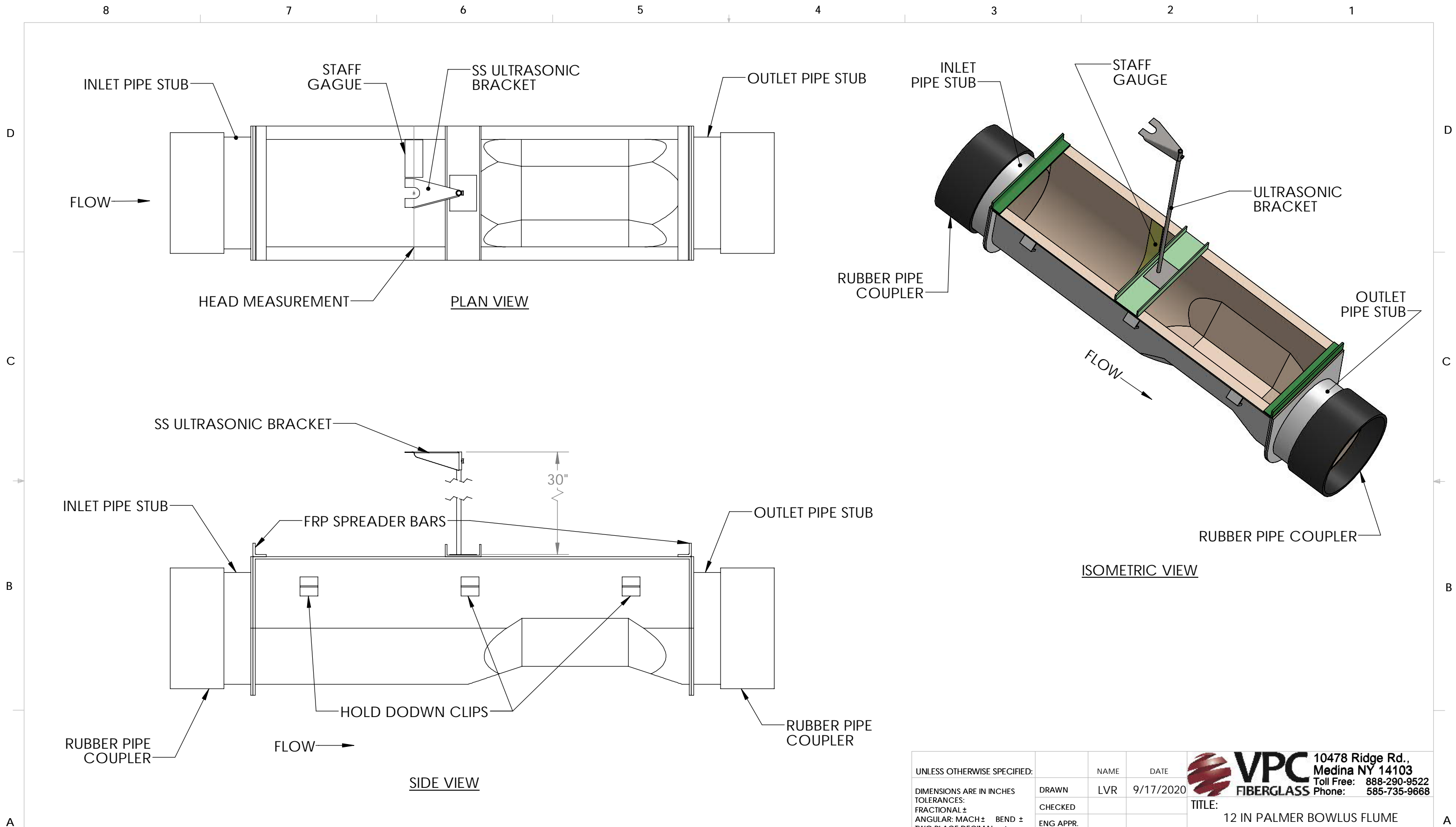



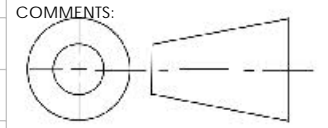
SECTION A-A

PROPRIETARY AND CONFIDENTIAL  
THE INFORMATION CONTAINED IN THIS DRAWING IS THE SOLE PROPERTY OF Virtual Polymer Compounds, LLC. ANY REPRODUCTION IN PART OR AS A WHOLE WITHOUT THE WRITTEN PERMISSION OF Virtual Polymer Compounds, LLC IS PROHIBITED.

UNLESS OTHERWISE SPECIFIED:		NAME	DATE	 <b>VPC</b> 10478 Ridge Rd., Medina NY 14103 Toll Free: 888-290-9522 Phone: 585-735-9668
DIMENSIONS ARE IN INCHES TOLERANCES: FRACTIONAL ± ANGULAR: MACH ± BEND ± TWO PLACE DECIMAL ± THREE PLACE DECIMAL ±		DRAWN	LVR 9/17/2020	
INTERPRET GEOMETRIC TOLERANCING PER:		CHECKED		TITLE: 12 IN PALMER BOWLUS FLUME
MATERIAL POLYESTER RESIN FINISH		ENG APPR.		Project: WITHOUT OPTIONS
DO NOT SCALE DRAWING		MFG APPR.		SIZE <b>B</b>
		Q.A.		DWG. NO.
		COMMENTS:		REV A
		 3rd ANGLE PROJECTION		SCALE: 1:8
				Weight 18.21
				SHEET 3 OF 5

8 7 6 5 4 3 2 1

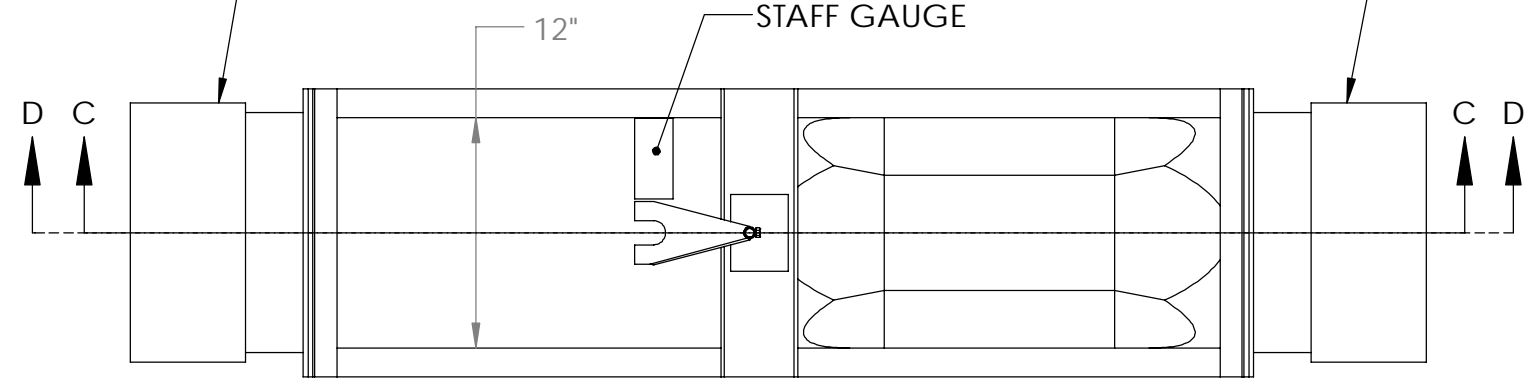


UNLESS OTHERWISE SPECIFIED:		NAME	DATE	 <b>VPC</b> 10478 Ridge Rd., Medina NY 14103 Toll Free: 888-290-9522 Phone: 585-735-9668						
DIMENSIONS ARE IN INCHES		DRAWN	LVR 9/17/2020							
TOLERANCES:		CHECKED								
FRACTIONAL ±		ENG APPR.								
ANGULAR: MACH ± BEND ±		MFG APPR.		TITLE: 12 IN PALMER BOWLUS FLUME						
TWO PLACE DECIMAL ±		Q.A.		Project:						
THREE PLACE DECIMAL ±		COMMENTS:		WITH OPTIONS						
INTERPRET GEOMETRIC TOLERANCING PER:		 3rd ANGLE PROJECTION		<table border="1"> <tr> <td>SIZE</td> <td>DWG. NO.</td> <td>REV</td> </tr> <tr> <td><b>B</b></td> <td></td> <td><b>A</b></td> </tr> </table>	SIZE	DWG. NO.	REV	<b>B</b>		<b>A</b>
SIZE	DWG. NO.	REV								
<b>B</b>		<b>A</b>								
MATERIAL: POLYESTER RESIN FINISH		DO NOT SCALE DRAWING		SCALE: 1:10 Weight 38.95 SHEET 4 OF 5						

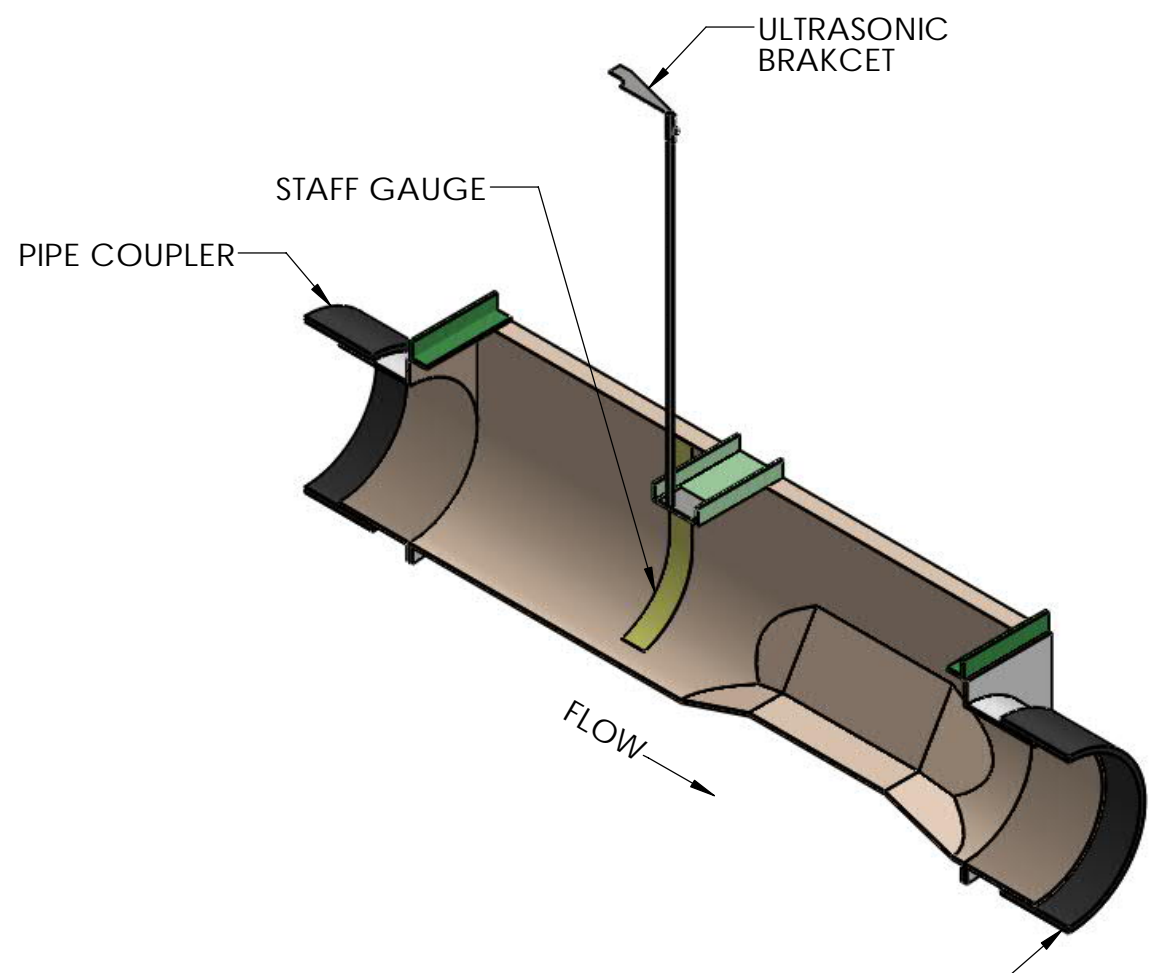
PROPRIETARY AND CONFIDENTIAL  
 THE INFORMATION CONTAINED IN THIS DRAWING IS THE SOLE PROPERTY OF Virtual Polymer Compounds, LLC. ANY REPRODUCTION IN PART OR AS A WHOLE WITHOUT THE WRITTEN PERMISSION OF Virtual Polymer Compounds, LLC IS PROHIBITED.

8 7 6 5 4 3 2 1

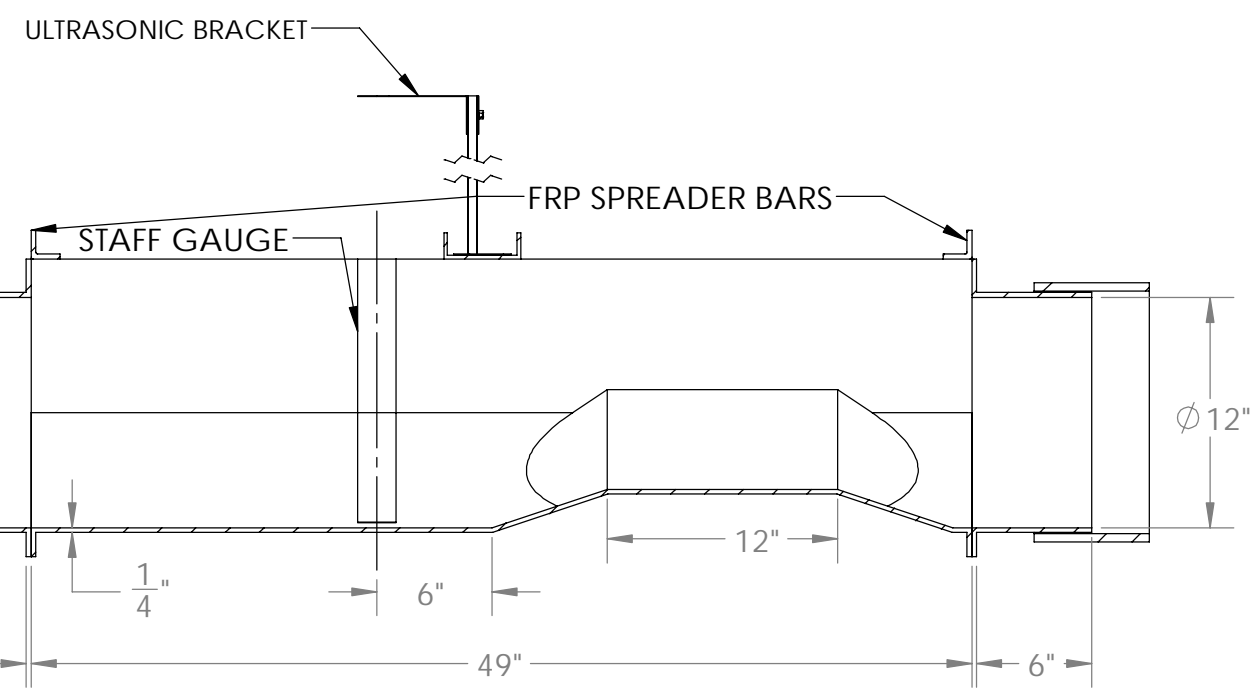
RUBBER PIPE COUPLER RUBBER PIPE COUPLER



FLOW → PLAN VIEW




SECTION D-D  
SCALE 1 : 12



FLOW → SECTION C-C

PROPRIETARY AND CONFIDENTIAL  
THE INFORMATION CONTAINED IN THIS DRAWING IS THE SOLE PROPERTY OF Virtual Polymer Compounds, LLC. ANY REPRODUCTION IN PART OR AS A WHOLE WITHOUT THE WRITTEN PERMISSION OF Virtual Polymer Compounds, LLC IS PROHIBITED.

UNLESS OTHERWISE SPECIFIED:		NAME	DATE	 <b>VPC</b> 10478 Ridge Rd., Medina NY 14103 Toll Free: 888-290-9522 Phone: 585-735-9668
DIMENSIONS ARE IN INCHES TOLERANCES: FRACTIONAL ± ANGULAR: MACH ± BEND ± TWO PLACE DECIMAL ± THREE PLACE DECIMAL ±		DRAWN	LVR 9/17/2020	
INTERPRET GEOMETRIC TOLERANCING PER:		CHECKED		TITLE: 12 IN PALMER BOWLUS FLUME
MATERIAL POLYESTER RESIN FINISH		ENG APPR.		Project: WITH OPTIONS
DO NOT SCALE DRAWING		MFG APPR.		SIZE DWG. NO. REV <b>B</b> <b>A</b>
3rd ANGLE PROJECTION		Q.A.		SCALE: 1:10 Weight 38.95 SHEET 5 OF 5
		COMMENTS:		

8 7 6 5 4 3 2 1