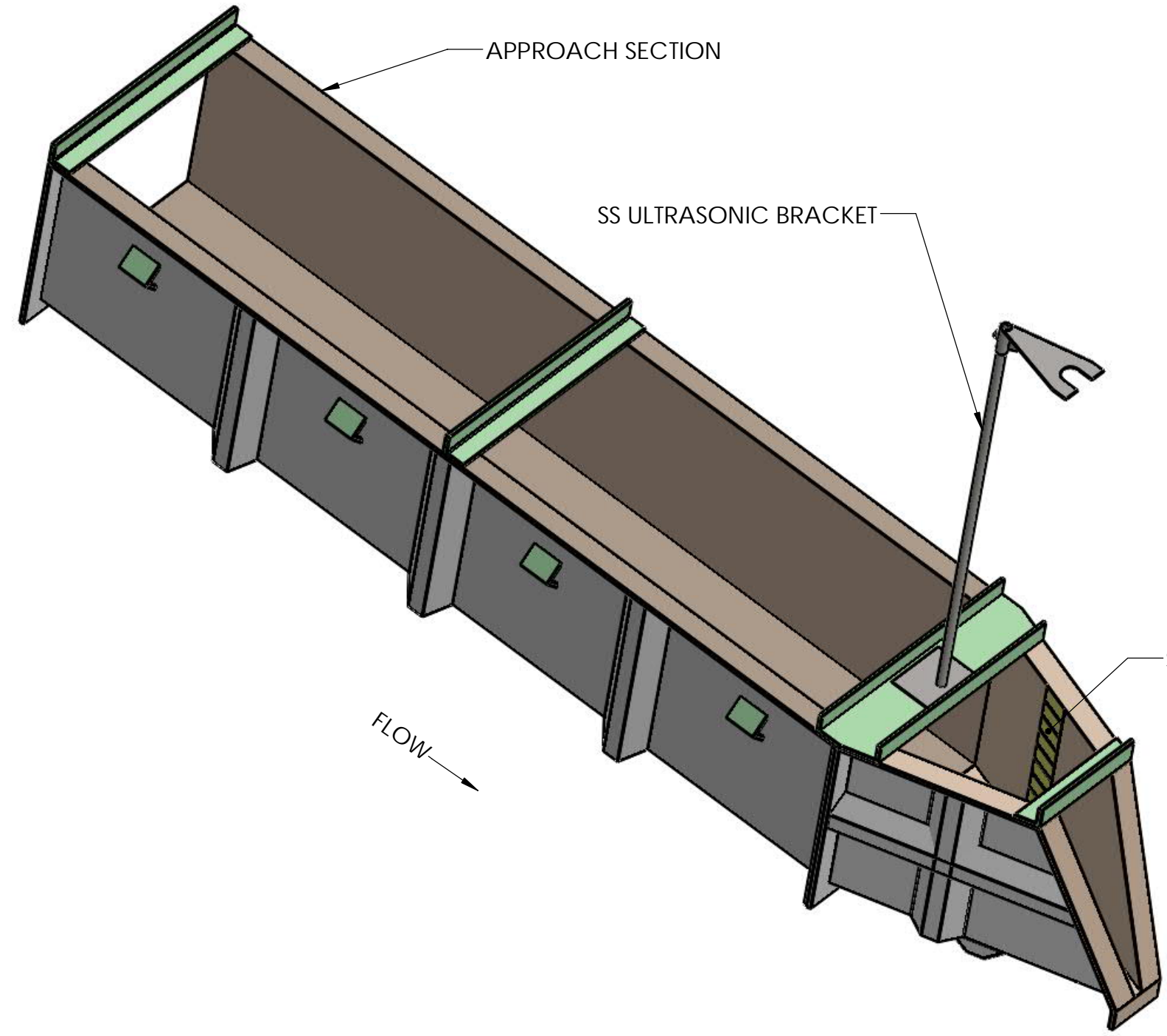


8 7 6 5 4 3 2 1

D
C
B
A


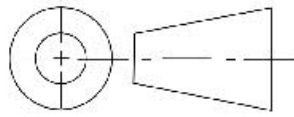
D
C
B
A



AVAILABLE OPTIONS:

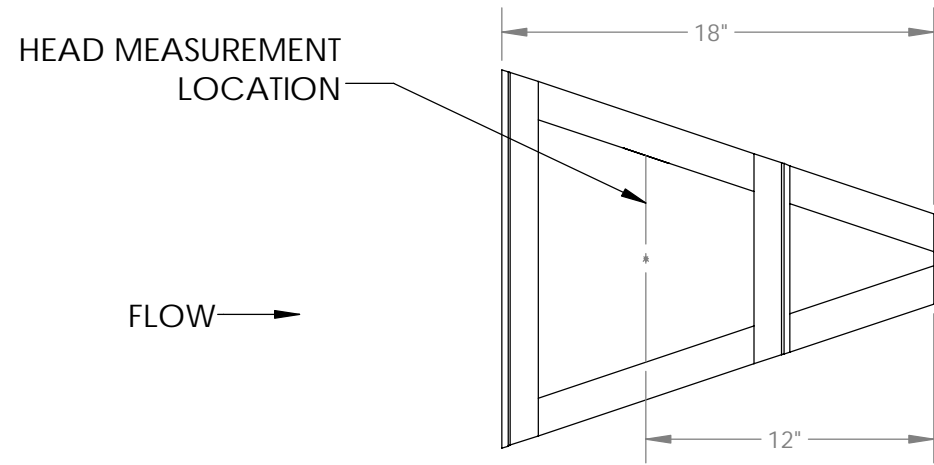
- STAFF GAUGE (ENGLISH OR METRIC).
- STILLING WELL (INTEGRAL OR REMOTE).
- BUBBLER TUBE (SS 1/8" ID, INTEGRAL OR REMOVABLE).
- SAMPLER TUBE (SS 3/8" ID, INTEGRAL OR REMOVABLE).
- INLET APPROACH SECTIONS.
- PIPE STUBS.
- RUBBER PIPE COUPLERS W/ SS CLAMP BANDS.
- ADJUSTABLE SS ULTRASONIC BRACKET.
- PH PROBE CAVITY.
- WING WALLS.
- ENERGY ABSORBING RACKS. (FIXED OR REMOVABLE).
- STANDARD OR SPECIAL DEPTHS (INCLUDING SURGE BOXES).
- FLUME COVERS (GRATING, FIBER SHEETING, CLEAR POLYCARBONATE).
- SPECIAL DESIGN (TO MEET SPECIAL PROJECT NEEDS).
- STANDARD COLOR IS BEIGE (CUSTOM COLORS AVAILABLE).

FLOW →

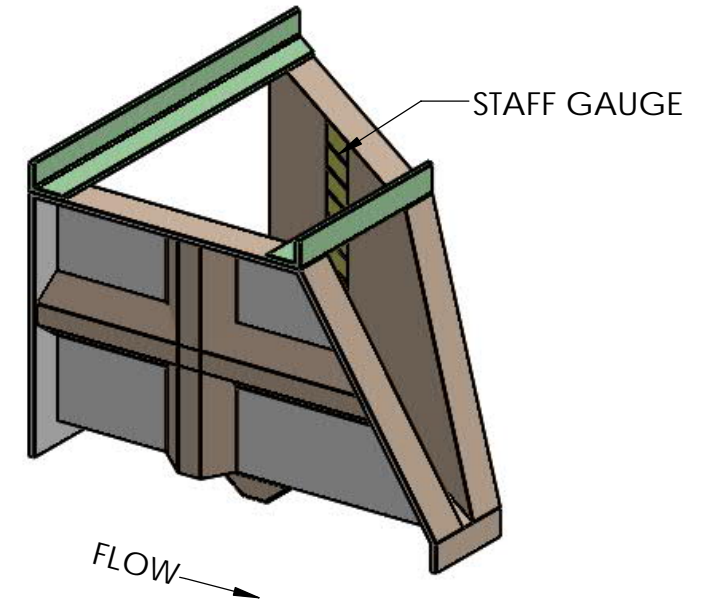
UNLESS OTHERWISE SPECIFIED:		NAME	DATE	 VPC FIBERGLASS 10478 Ridge Rd., Medina NY 14103 Toll Free: 888-290-9522 Phone: 585-735-9668				
DIMENSIONS ARE IN INCHES TOLERANCES: FRACTIONAL ± ANGULAR: MACH ± BEND ± TWO PLACE DECIMAL ± THREE PLACE DECIMAL ±		DRAWN	LVR		8/28/2020			
INTERPRET GEOMETRIC TOLERANCING PER:		CHECKED			TITLE:	1.0HS FLUME		
MATERIAL POLYESTER RESIN FINISH		ENG APPR.			Project:	WITH OPTIONS		
DO NOT SCALE DRAWING		MFG APPR.			SIZE	DWG. NO.	REV	
3rd ANGLE PROJECTION		Q.A.			B		A	
					SCALE: 1:8	Weight 48.64	SHEET 1 OF 5	

PROPRIETARY AND CONFIDENTIAL
 THE INFORMATION CONTAINED IN THIS DRAWING IS THE SOLE PROPERTY OF VIRTUAL POLYMER COMPOUNDS, LLC. ANY REPRODUCTION IN PART OR AS A WHOLE WITHOUT THE WRITTEN PERMISSION OF VIRTUAL POLYMER COMPOUNDS, LLC IS PROHIBITED.

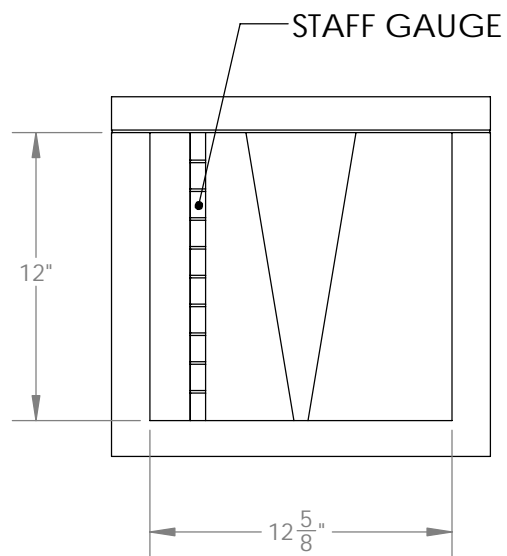
8 7 6 5 4 3 2 1



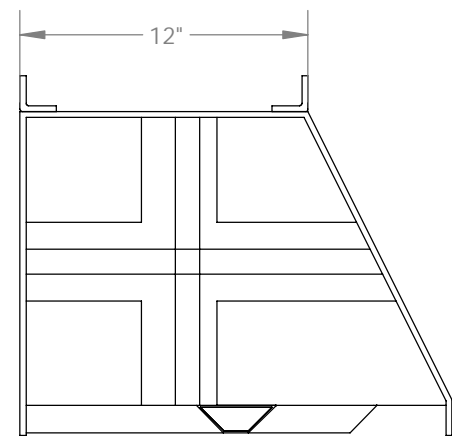
PLAN VIEW



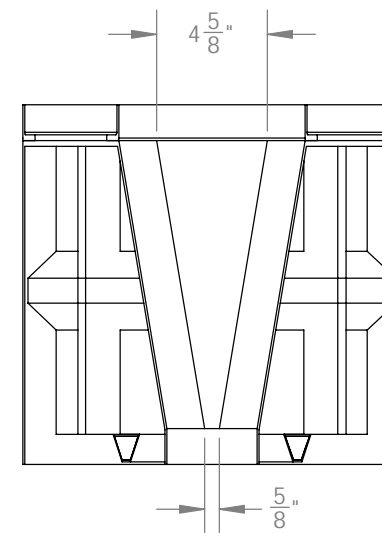
ISOMETRIC VIEW



END VIEW
(LOOKING DOWN STREAM)



SIDE VIEW



END VIEW
(LOOKING UP STREAM)

PROPRIETARY AND CONFIDENTIAL
THE INFORMATION CONTAINED IN THIS
DRAWING IS THE SOLE PROPERTY OF
Virtual Polymer Compounds, LLC. ANY
REPRODUCTION IN PART OR AS A WHOLE
WITHOUT THE WRITTEN PERMISSION OF
Virtual Polymer Compounds, LLC IS
PROHIBITED.

UNLESS OTHERWISE SPECIFIED:
DIMENSIONS ARE IN INCHES
TOLERANCES:
FRACTIONAL ±
ANGULAR: MACH ± BEND ±
TWO PLACE DECIMAL ±
THREE PLACE DECIMAL ±
INTERPRET GEOMETRIC
TOLERANCING PER:
MATERIAL
POLYESTER RESIN
FINISH
DO NOT SCALE DRAWING

	NAME	DATE
DRAWN	LVR	8/28/2020
CHECKED		
ENG APPR.		
MFG APPR.		
Q.A.		

COMMENTS:
3rd ANGLE PROJECTION

VPC 10478 Ridge Rd.,
Medina NY 14103
Toll Free: 888-290-9522
FIBERGLASS Phone: 585-735-9668

TITLE: 1.0HS FLUME

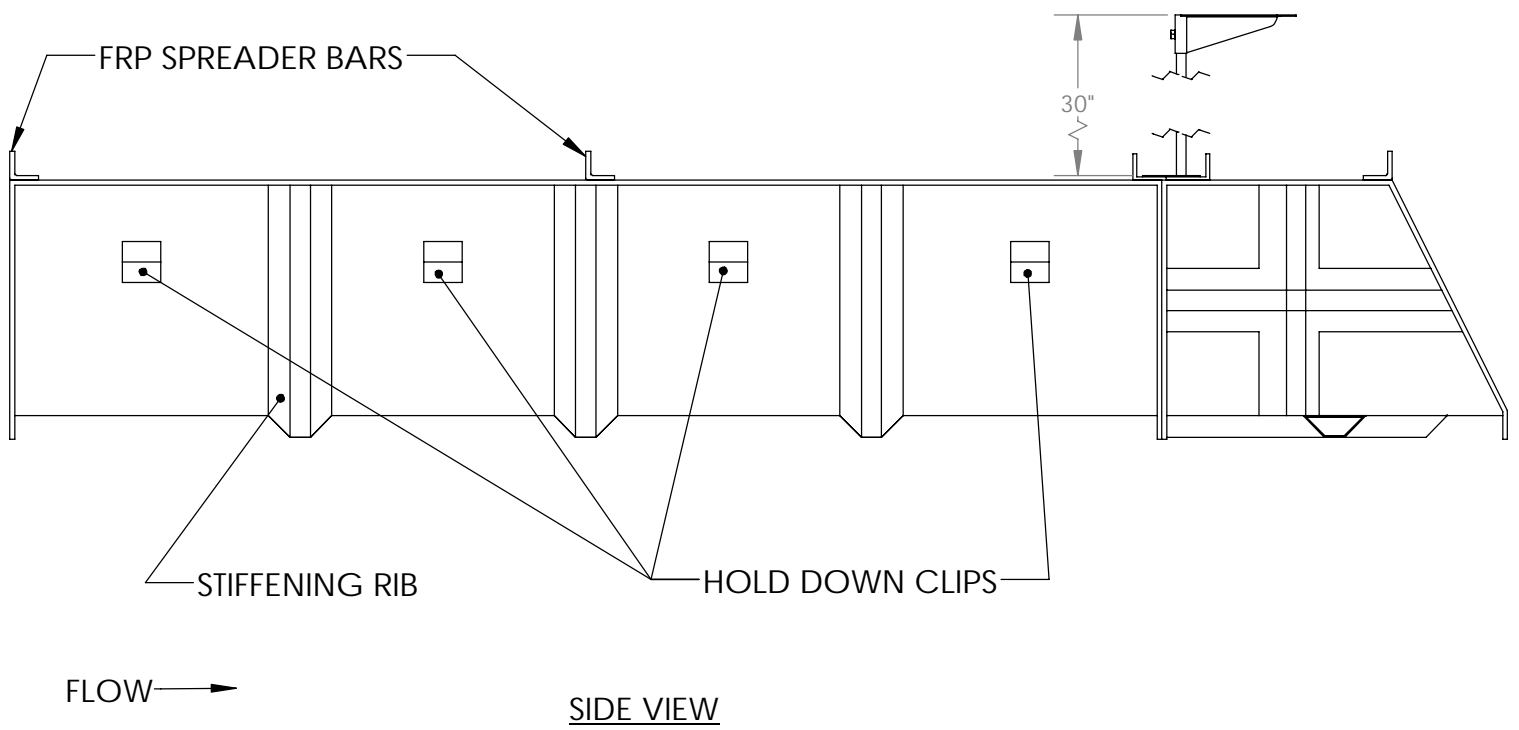
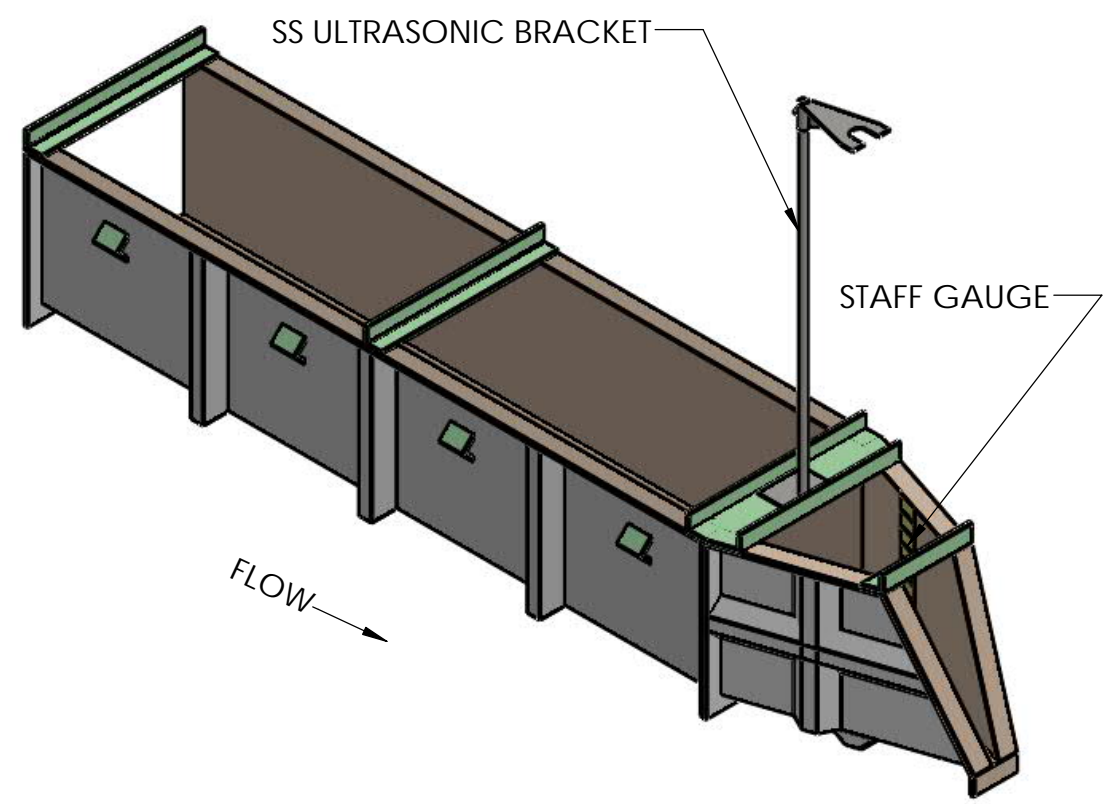
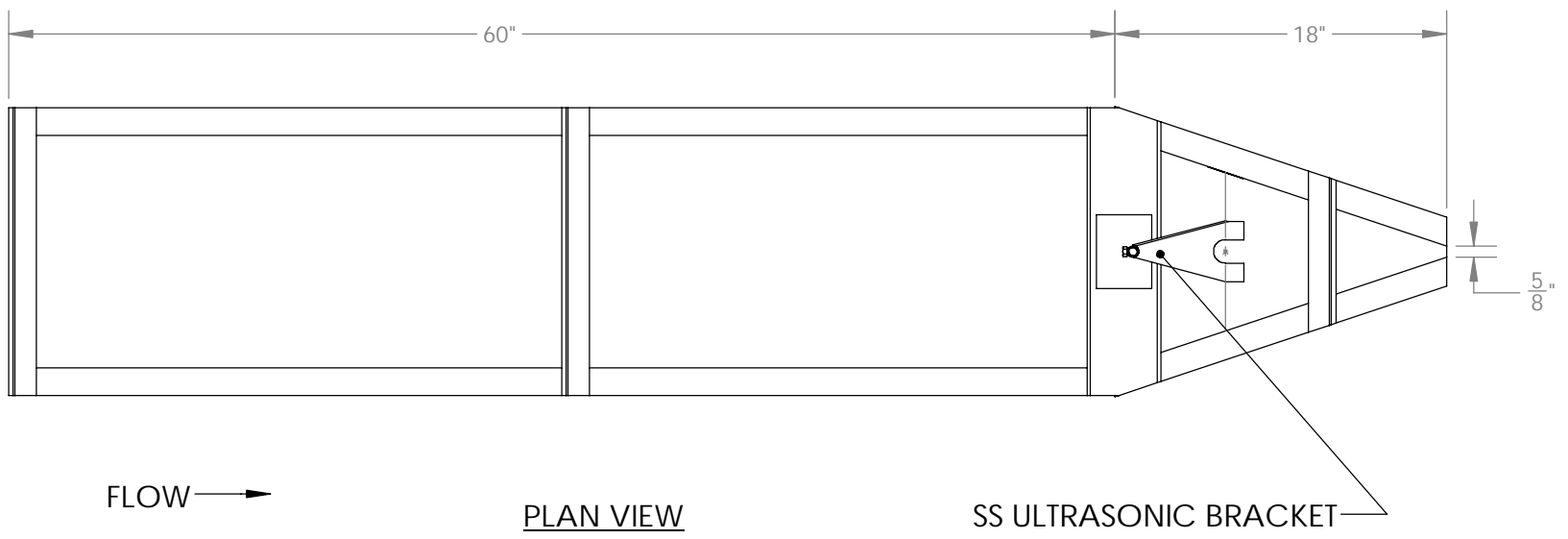
Project: NO OPTIONS

SIZE B	DWG. NO.	REV A
------------------	----------	----------


SCALE: 1:8 Weight 10.83 SHEET 2 OF 5

8 7 6 5 4 3 2 1

D
C
B
A



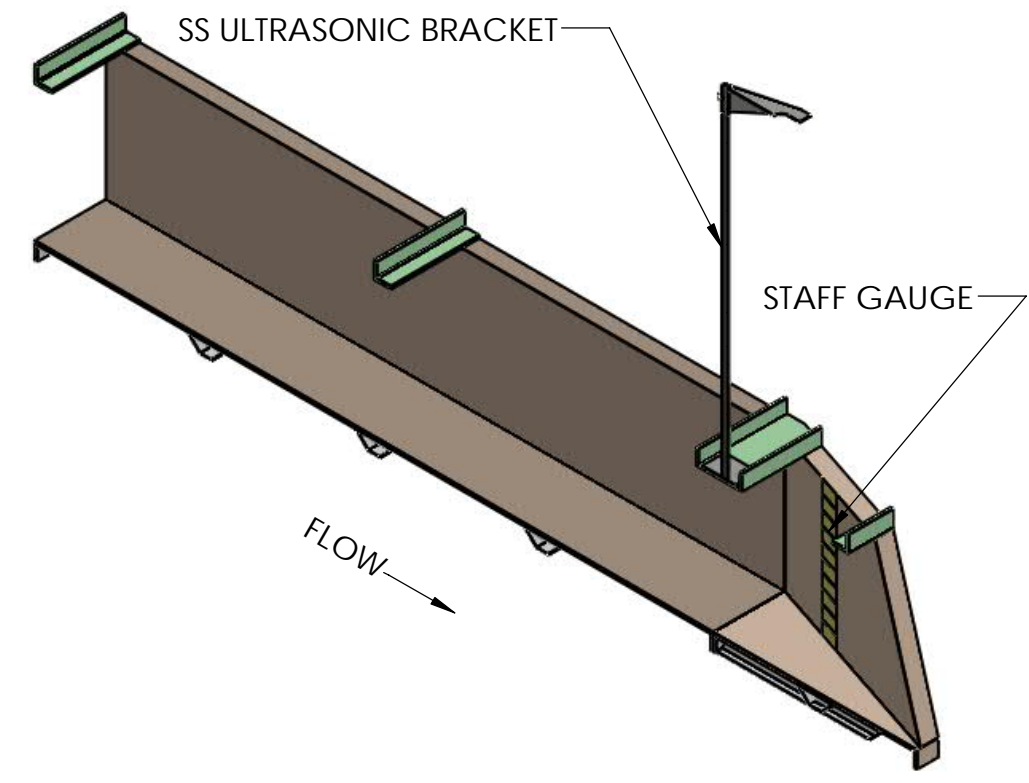
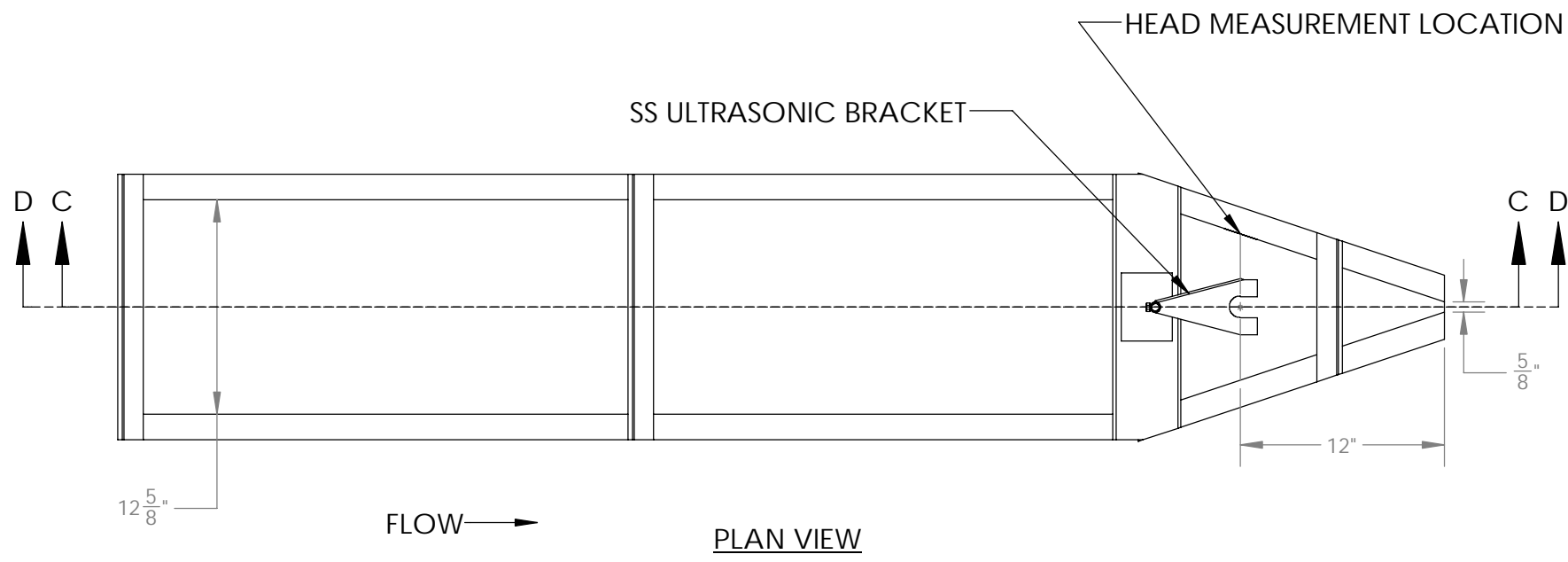
PROPRIETARY AND CONFIDENTIAL
THE INFORMATION CONTAINED IN THIS DRAWING IS THE SOLE PROPERTY OF Virtual Polymer Compounds, LLC. ANY REPRODUCTION IN PART OR AS A WHOLE WITHOUT THE WRITTEN PERMISSION OF Virtual Polymer Compounds, LLC IS PROHIBITED.

UNLESS OTHERWISE SPECIFIED:		NAME	DATE	 VPC 10478 Ridge Rd., Medina NY 14103 Toll Free: 888-290-9522 Phone: 585-735-9668
DIMENSIONS ARE IN INCHES TOLERANCES: FRACTIONAL ± ANGULAR: MACH ± BEND ± TWO PLACE DECIMAL ± THREE PLACE DECIMAL ±		DRAWN	LVR 8/28/2020	
INTERPRET GEOMETRIC TOLERANCING PER:		CHECKED		TITLE: 1.0HS FLUME
MATERIAL POLYESTER RESIN FINISH		ENG APPR.		Project: WITH OPTIONS
DO NOT SCALE DRAWING		MFG APPR.		SIZE DWG. NO. REV B A
3rd ANGLE PROJECTION		Q.A.		SCALE: 1:10 Weight 48.64 SHEET 4 OF 5
		COMMENTS:		

8 7 6 5 4 3 2 1

D

D

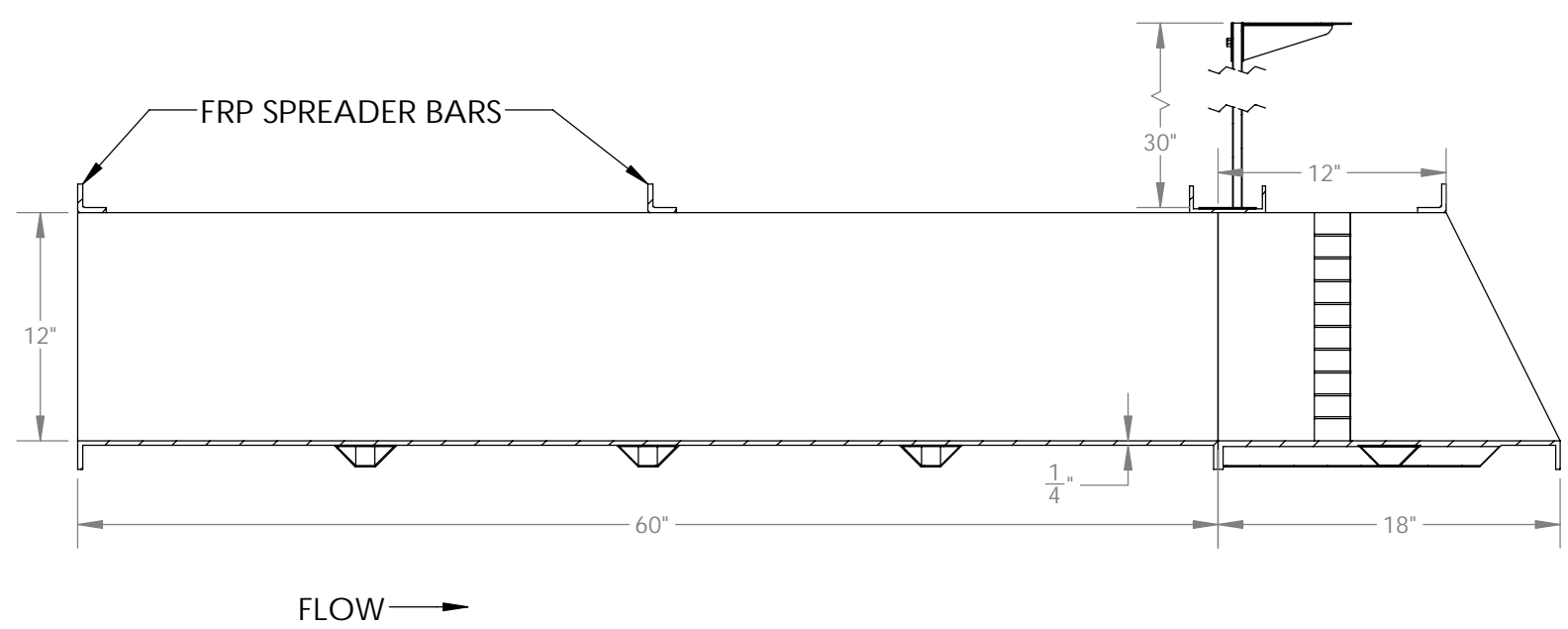


C

C

B


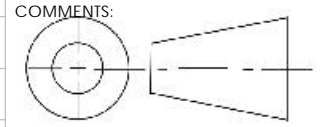
B



A

A

PROPRIETARY AND CONFIDENTIAL
THE INFORMATION CONTAINED IN THIS DRAWING IS THE SOLE PROPERTY OF Virtual Polymer Compounds, LLC. ANY REPRODUCTION IN PART OR AS A WHOLE WITHOUT THE WRITTEN PERMISSION OF Virtual Polymer Compounds, LLC IS PROHIBITED.

UNLESS OTHERWISE SPECIFIED:	NAME	DATE	 VPC 10478 Ridge Rd., Medina NY 14103 Toll Free: 888-290-9522 Phone: 585-735-9668
DIMENSIONS ARE IN INCHES TOLERANCES: FRACTIONAL ± ANGULAR: MACH ± BEND ± TWO PLACE DECIMAL ± THREE PLACE DECIMAL ±	DRAWN	LVR	
INTERPRET GEOMETRIC TOLERANCING PER:	CHECKED		
MATERIAL POLYESTER RESIN FINISH	ENG APPR.		
DO NOT SCALE DRAWING	MFG APPR.		
	Q.A.		
	COMMENTS:		
		TITLE: 1.OHS FLUME Project: WITH OPTIONS SIZE B DWG. NO. REV A SCALE: 1:10 Weight 48.64 SHEET 5 OF 5	

8 7 6 5 4 3 2 1