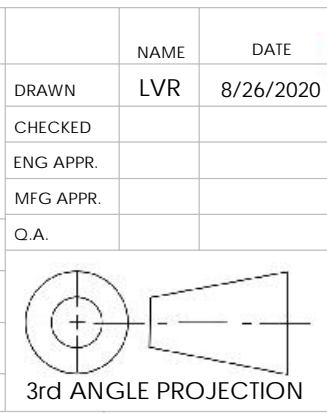


- AVAILABLE OPTIONS:
- STAFF GAUGE (ENGLISH OR METRIC).
 - STILLING WELL (INTEGRAL OR REMOTE).
 - BUBBLER TUBE (SS 1/4" ID, INTEGRAL OR REMOVABLE).
 - SAMPLER TUBE (SS 3/8" ID, INTEGRAL OR REMOVABLE).
 - INLET APPROACH SECTIONS.
 - PIPE STUBS.
 - RUBBER PIPE COUPLERS W/ SS CLAMP BANDS.
 - ADJUSTABLE SS ULTRASONIC BRACKET.
 - PH PROBE CAVITY.
 - WING WALLS.
 - ENERGY ABSORBING RACKS. (FIXED OR REMOVABLE).
 - STANDARD OR SPECIAL DEPTHS (INCLUDING SURGE BOXES).
 - FLUME COVERS (GRATING, FIBER SHEETING, CLEAR POLYCARBONATE).
 - MONTANA CUT DESIGN.
 - SPECIAL DESIGN (TO MEET SPECIAL PROJECT NEEDS).
 - STANDARD COLOR IS BEIGE (CUSTOM COLORS AVAILABLE).

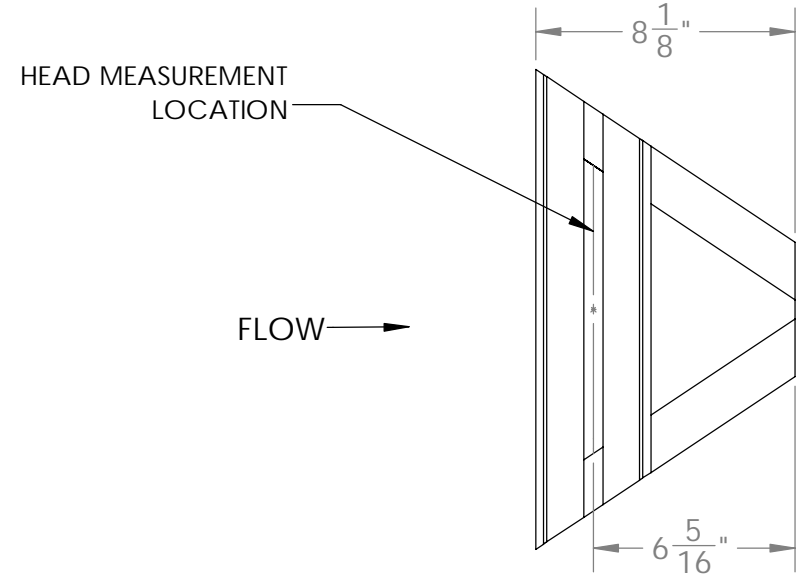
PROPRIETARY AND CONFIDENTIAL
 THE INFORMATION CONTAINED IN THIS DRAWING IS THE SOLE PROPERTY OF VIRTUAL POLYMER COMPOUNDS, LLC. ANY REPRODUCTION IN PART OR AS A WHOLE WITHOUT THE WRITTEN PERMISSION OF VIRTUAL POLYMER COMPOUNDS, LLC IS PROHIBITED.

UNLESS OTHERWISE SPECIFIED:		NAME	DATE
DIMENSIONS ARE IN INCHES	DRAWN	LVR	8/26/2020
TOLERANCES:	CHECKED		
FRACTIONAL ±	ENG APPR.		
ANGULAR: MACH ± BEND ±	MFG APPR.		
TWO PLACE DECIMAL ±	Q.A.		
THREE PLACE DECIMAL ±			
INTERPRET GEOMETRIC TOLERANCING PER:			
MATERIAL			
POLYESTER RESIN			
FINISH			
DO NOT SCALE DRAWING			

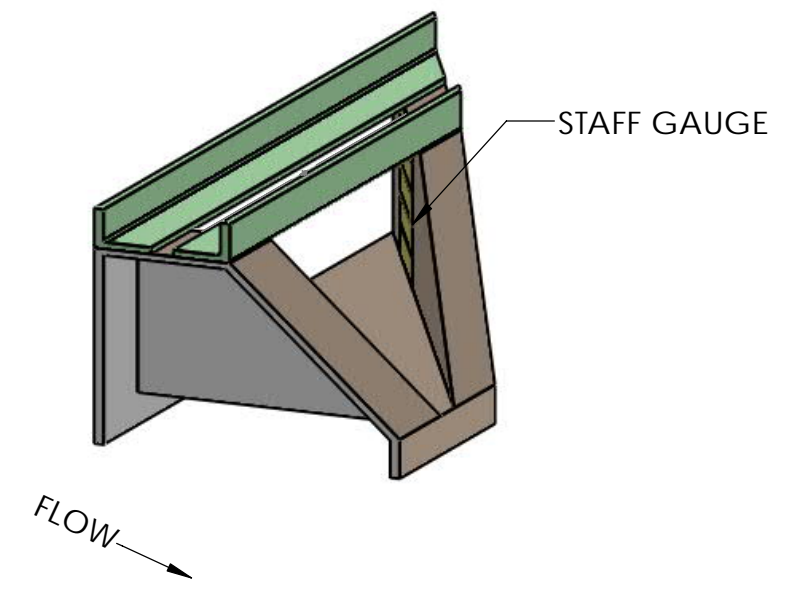


		10478 Ridge Rd., Medina NY 14103 Toll Free: 888-290-9522 Phone: 585-735-9668	
TITLE:		0.5H FLUME	
Project:		WITH OPTIONS	
SIZE	DWG. NO.	REV	
B		A	
SCALE: 1:6	Weight 20.68	SHEET 1 OF 5	

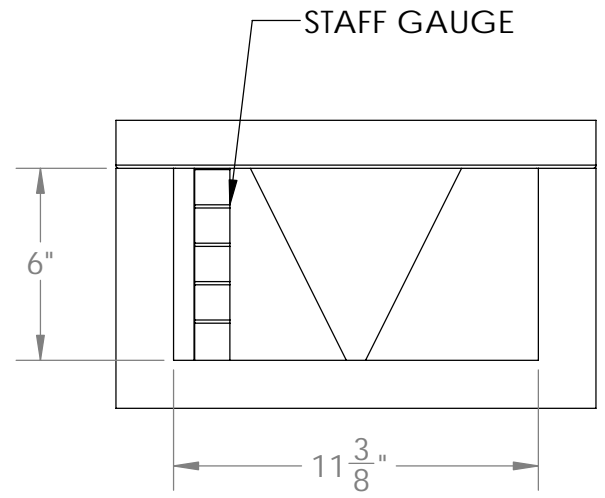
8 7 6 5 4 3 2 1



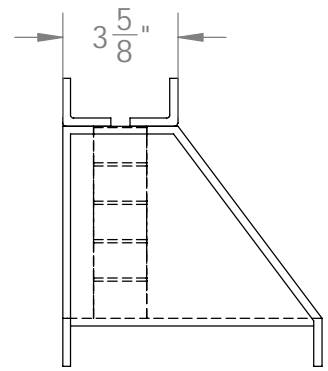
PLAN VIEW



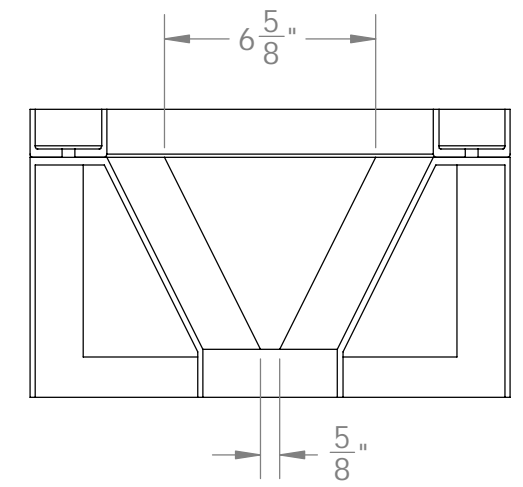
ISOMETRIC VIEW



END VIEW
(LOOKING UPS/DOWN STREAM)



SIDE VIEW



END VIEW
(LOOKING UPSTREAM)

UNLESS OTHERWISE SPECIFIED:

DIMENSIONS ARE IN INCHES
TOLERANCES:
FRACTIONAL ±
ANGULAR: MACH ± BEND ±
TWO PLACE DECIMAL ±
THREE PLACE DECIMAL ±

INTERPRET GEOMETRIC TOLERANCING PER:

MATERIAL
POLYESTER RESIN
FINISH

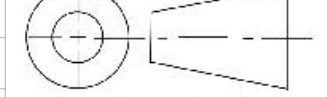
DO NOT SCALE DRAWING

NAME DATE

DRAWN LVR 8/26/2020
CHECKED
ENG APPR.
MFG APPR.

Q.A.

COMMENTS:



3rd ANGLE PROJECTION

VPC 10478 Ridge Rd.,
Medina NY 14103
Toll Free: 888-290-9522
FIBERGLASS Phone: 585-735-9668

TITLE: 0.5H FLUME

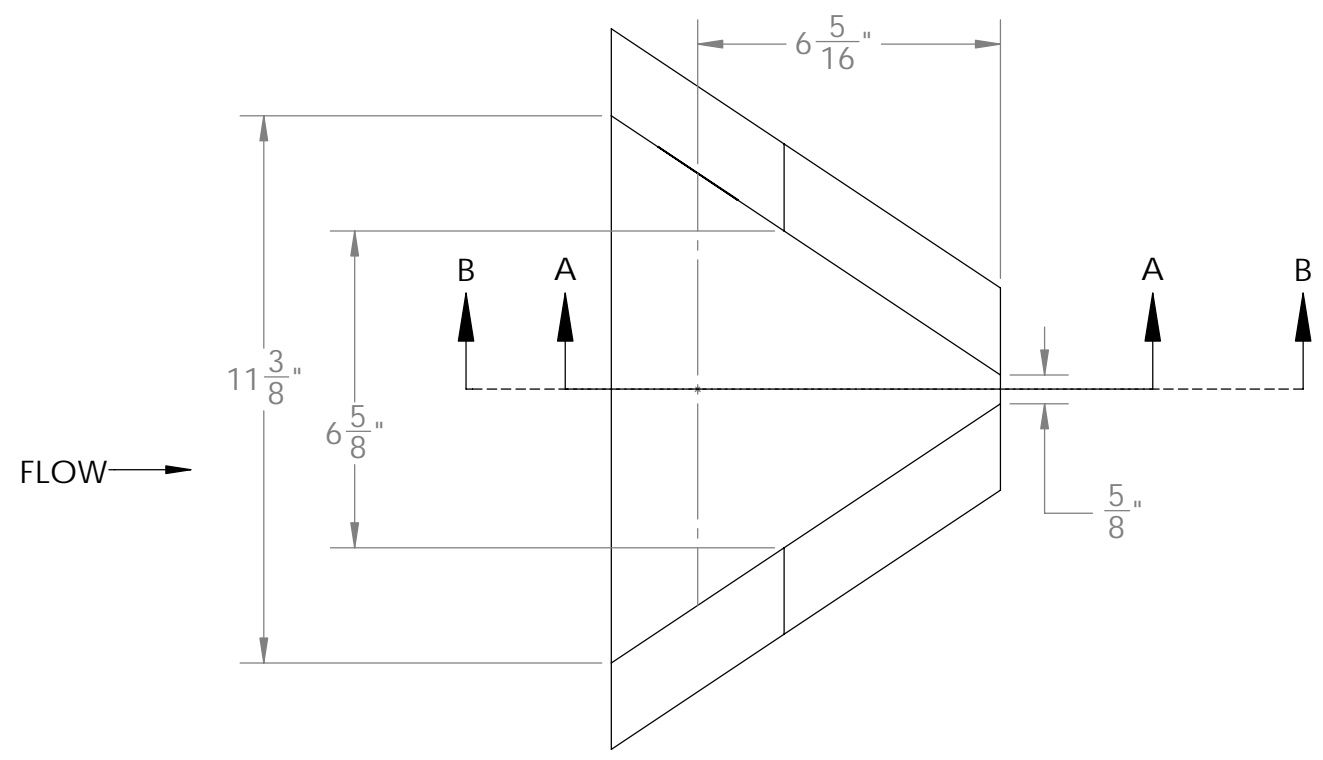
Project: NO OPTIONS

SIZE B	DWG. NO.	REV A
------------------	----------	----------

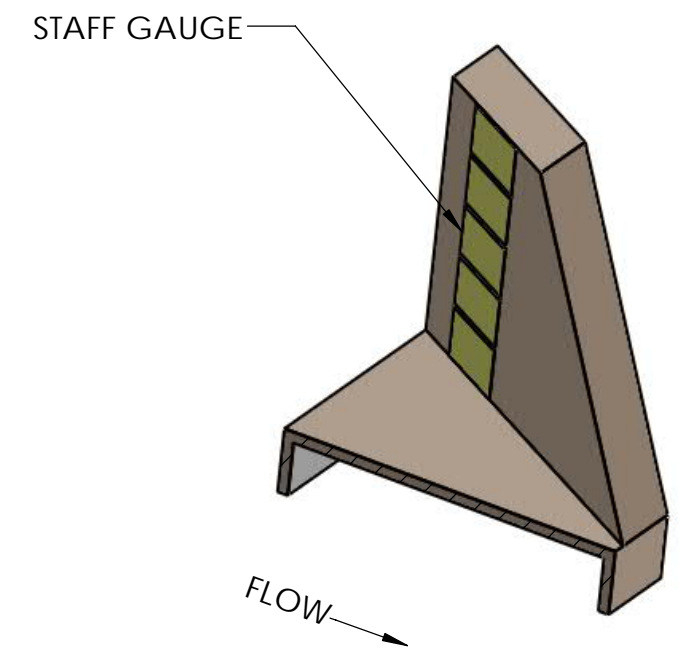
SCALE: 1:6 Weight 3.68 SHEET 2 OF 5

PROPRIETARY AND CONFIDENTIAL
THE INFORMATION CONTAINED IN THIS DRAWING IS THE SOLE PROPERTY OF Virtual Polymer Compounds, LLC. ANY REPRODUCTION IN PART OR AS A WHOLE WITHOUT THE WRITTEN PERMISSION OF Virtual Polymer Compounds, LLC IS PROHIBITED.

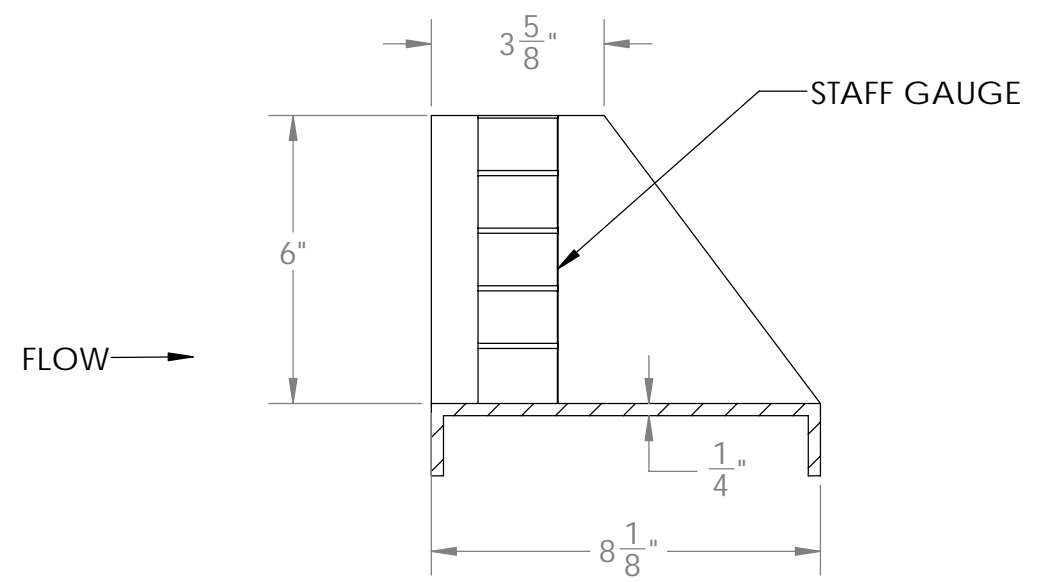
8 7 6 5 4 3 2 1



PLAN VIEW
(SPREADER BARS REMOVED FOR CLARITY)



SECTION B-B



SECTION A-A

PROPRIETARY AND CONFIDENTIAL
THE INFORMATION CONTAINED IN THIS DRAWING IS THE SOLE PROPERTY OF Virtual Polymer Compounds, LLC. ANY REPRODUCTION IN PART OR AS A WHOLE WITHOUT THE WRITTEN PERMISSION OF Virtual Polymer Compounds, LLC IS PROHIBITED.

UNLESS OTHERWISE SPECIFIED:
DIMENSIONS ARE IN INCHES
TOLERANCES:
FRACTIONAL ±
ANGULAR: MACH ± BEND ±
TWO PLACE DECIMAL ±
THREE PLACE DECIMAL ±

INTERPRET GEOMETRIC TOLERANCING PER:
MATERIAL
POLYESTER RESIN
FINISH

DO NOT SCALE DRAWING

	NAME	DATE
DRAWN	LVR	8/26/2020
CHECKED		
ENG APPR.		
MFG APPR.		
Q.A.		

COMMENTS:
3rd ANGLE PROJECTION

VPC 10478 Ridge Rd., Medina NY 14103
FIBERGLASS Phone: 888-290-9522 585-735-9668

TITLE: 0.5H FLUME

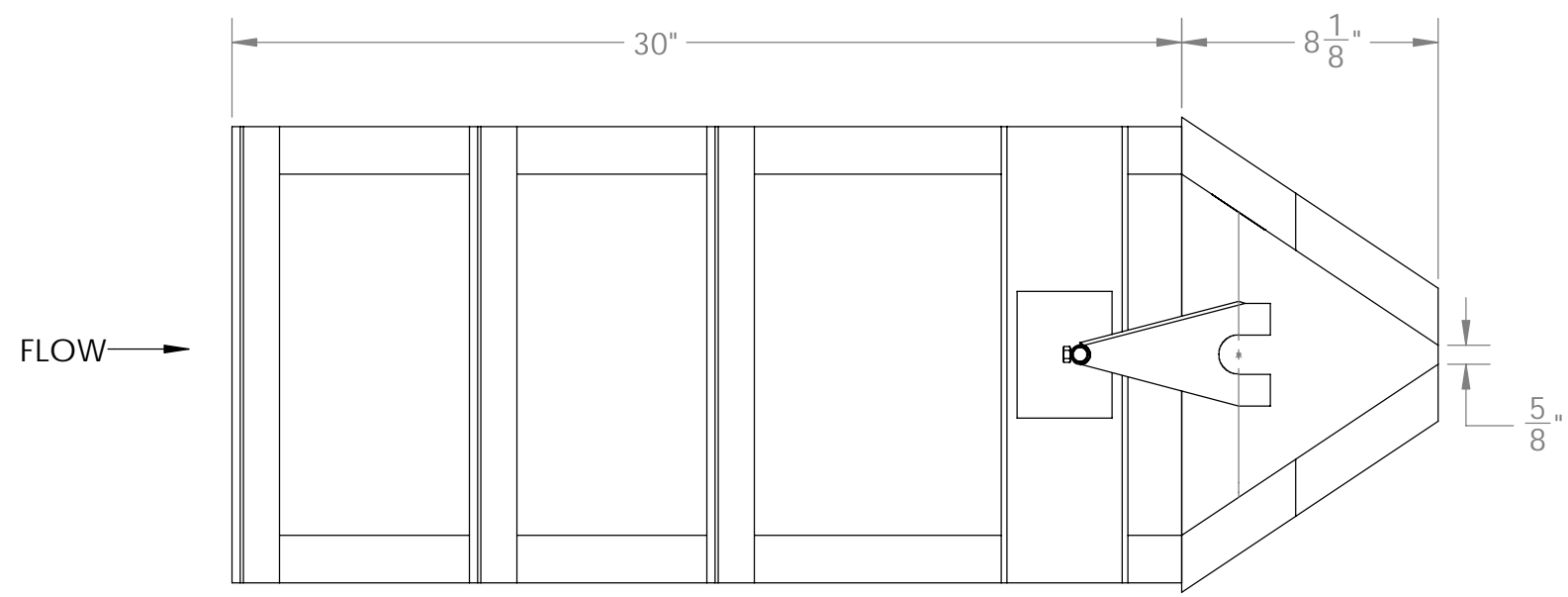
Project: NO OPTIONS

SIZE B	DWG. NO.	REV A
------------------	----------	----------

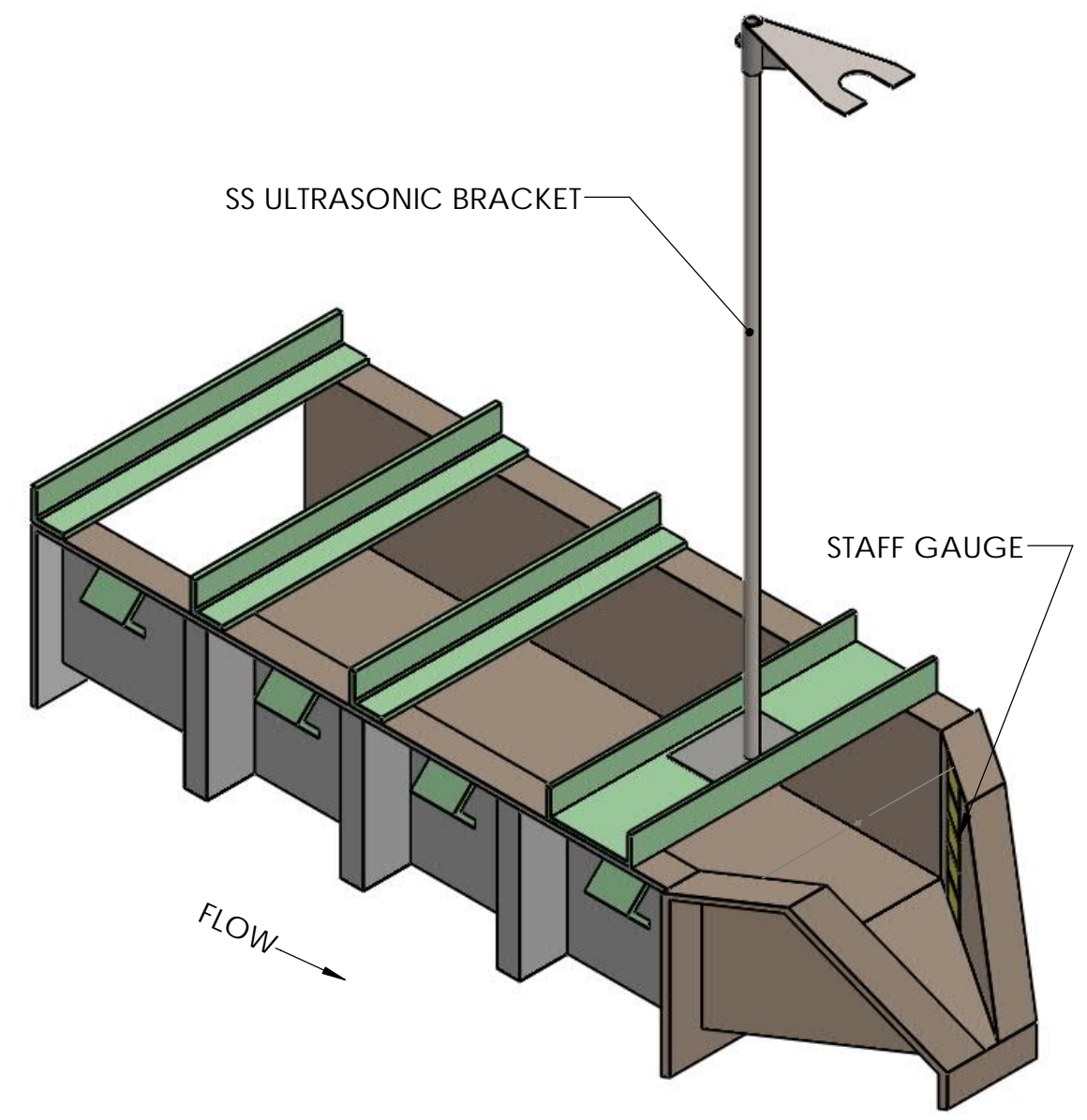
SCALE: 1:4 Weight 3.68 SHEET 3 OF 5

8 7 6 5 4 3 2 1

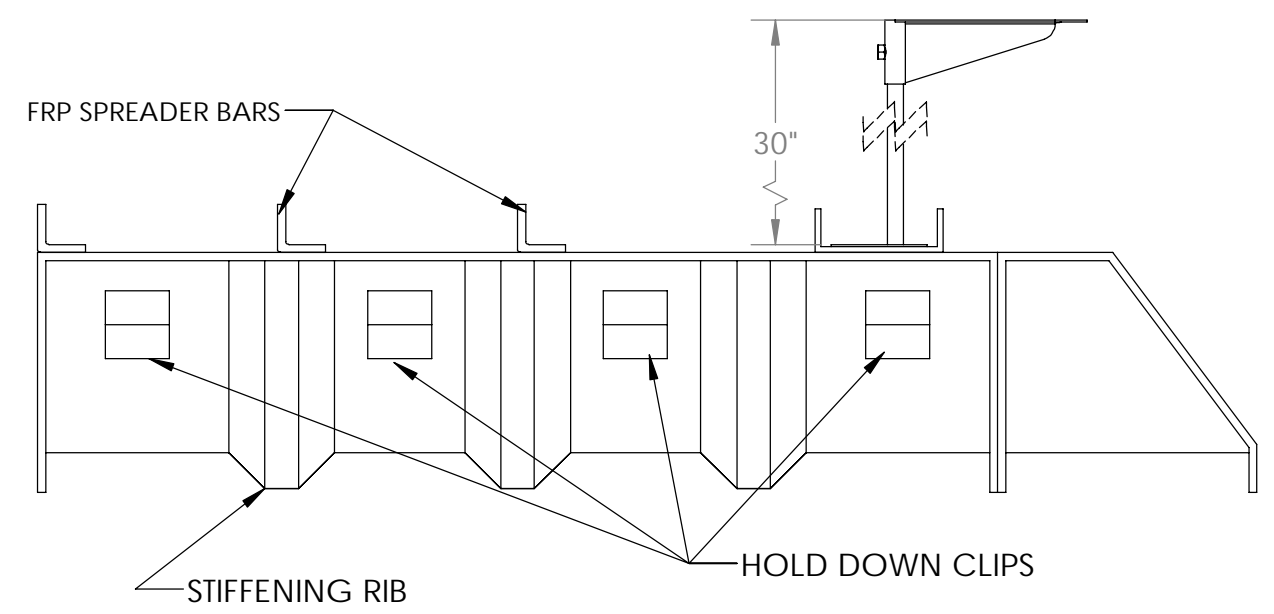
D
C
B
A



PLAN VIEW



ISOMETRIC VIEW



SIDE VIEW

FLOW →

PROPRIETARY AND CONFIDENTIAL
THE INFORMATION CONTAINED IN THIS DRAWING IS THE SOLE PROPERTY OF Virtual Polymer Compounds, LLC. ANY REPRODUCTION IN PART OR AS A WHOLE WITHOUT THE WRITTEN PERMISSION OF Virtual Polymer Compounds, LLC IS PROHIBITED.

UNLESS OTHERWISE SPECIFIED:	NAME	DATE
DIMENSIONS ARE IN INCHES	DRAWN	LVR 8/26/2020
TOLERANCES:	CHECKED	
FRACTIONAL ±	ENG APPR.	
ANGULAR: MACH ± BEND ±	MFG APPR.	
TWO PLACE DECIMAL ±	Q.A.	
THREE PLACE DECIMAL ±	COMMENTS:	
INTERPRET GEOMETRIC TOLERANCING PER:		
MATERIAL	POLYESTER RESIN	
FINISH		
DO NOT SCALE DRAWING	3rd ANGLE PROJECTION	

VPC 10478 Ridge Rd., Medina NY 14103
FIBERGLASS Toll Free: 888-290-9522 Phone: 585-735-9668

TITLE: 0.5H FLUME		
Project: WITH OPTIONS		
SIZE	DWG. NO.	REV
B		A
SCALE: 1:6	Weight 20.68	SHEET 4 OF 5

8 7 6 5 4 3 2 1

8 7 6 5 4 3 2 1

D

C

B

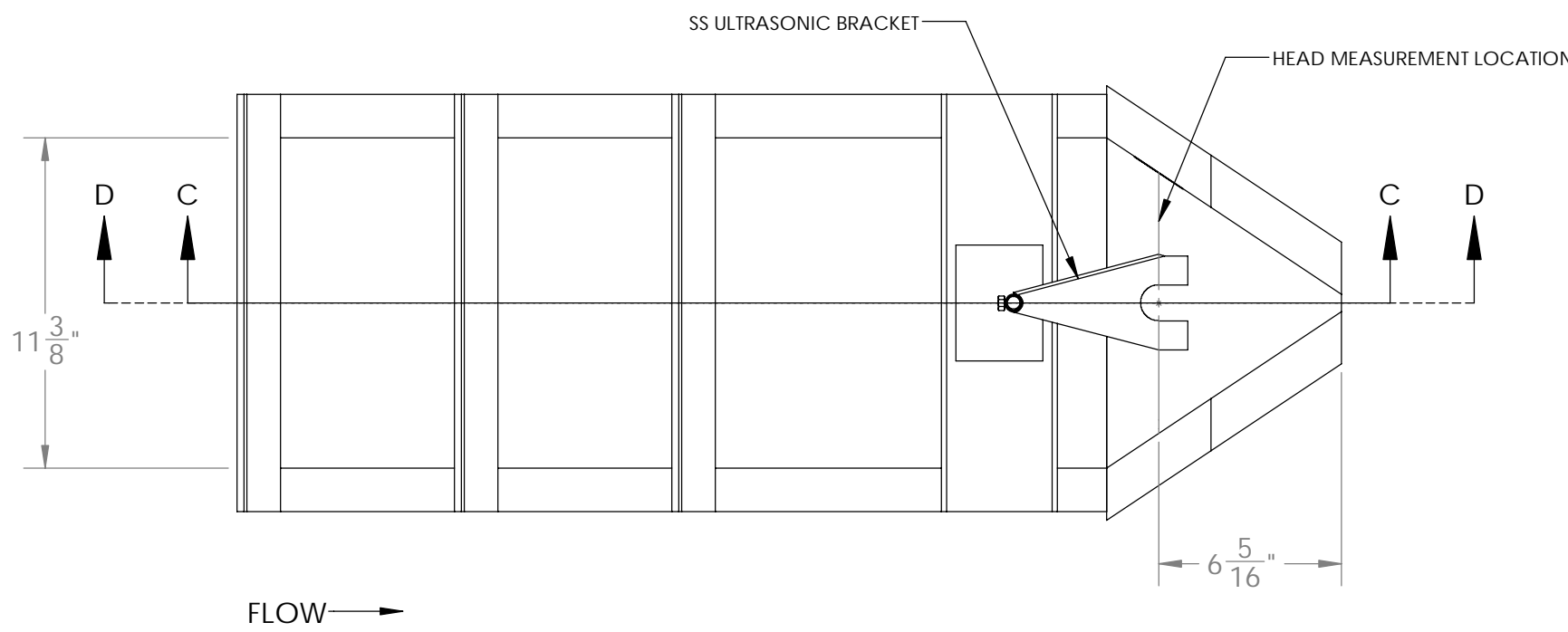
A

D

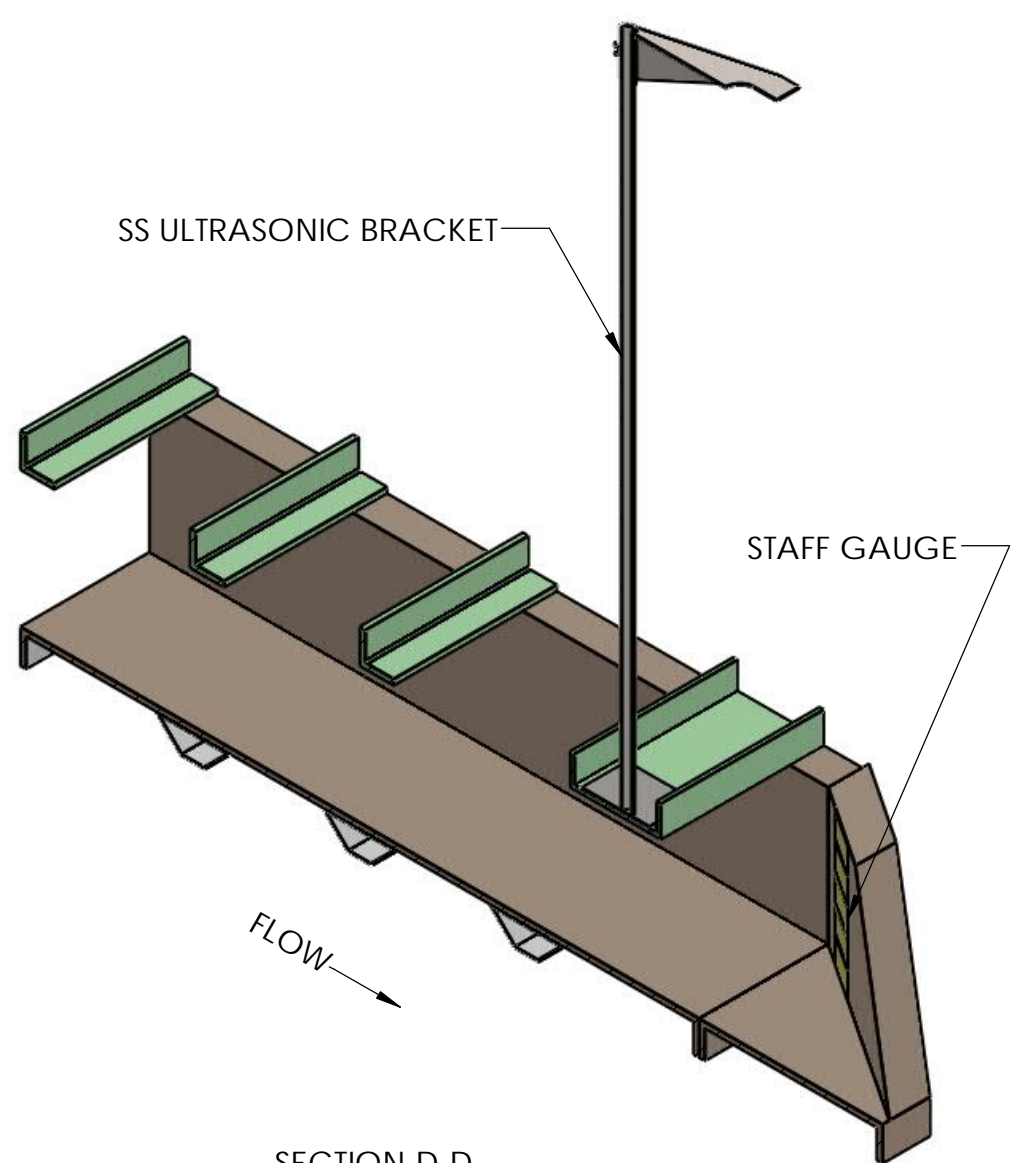
C

B

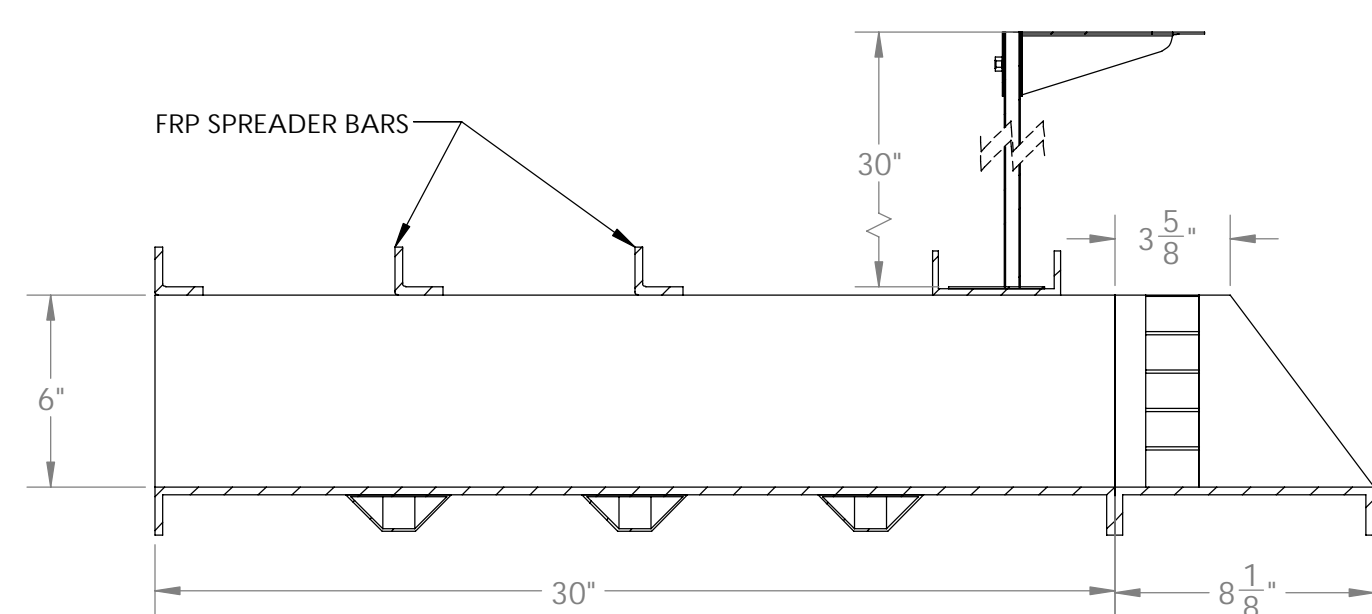
A



PLAN VIEW



SECTION D-D



SECTION C-C

PROPRIETARY AND CONFIDENTIAL
 THE INFORMATION CONTAINED IN THIS DRAWING IS THE SOLE PROPERTY OF Virtual Polymer Compounds, LLC. ANY REPRODUCTION IN PART OR AS A WHOLE WITHOUT THE WRITTEN PERMISSION OF Virtual Polymer Compounds, LLC IS PROHIBITED.

UNLESS OTHERWISE SPECIFIED:	NAME	DATE
DIMENSIONS ARE IN INCHES	DRAWN	LVR 8/26/2020
TOLERANCES:	CHECKED	
FRACTIONAL ±	ENG APPR.	
ANGULAR: MACH ± BEND ±	MFG APPR.	
TWO PLACE DECIMAL ±	Q.A.	
THREE PLACE DECIMAL ±	COMMENTS:	
INTERPRET GEOMETRIC TOLERANCING PER:		
MATERIAL	POLYESTER RESIN	
FINISH		
DO NOT SCALE DRAWING	3rd ANGLE PROJECTION	

VPC 10478 Ridge Rd., Medina NY 14103
 FIBERGLASS Toll Free: 888-290-9522 Phone: 585-735-9668

TITLE: 0.5H FLUME		
Project: WITH OPTIONS		
SIZE	DWG. NO.	REV
B		A
SCALE: 1:6	Weight 20.68	SHEET 5 OF 5