

8

7

6

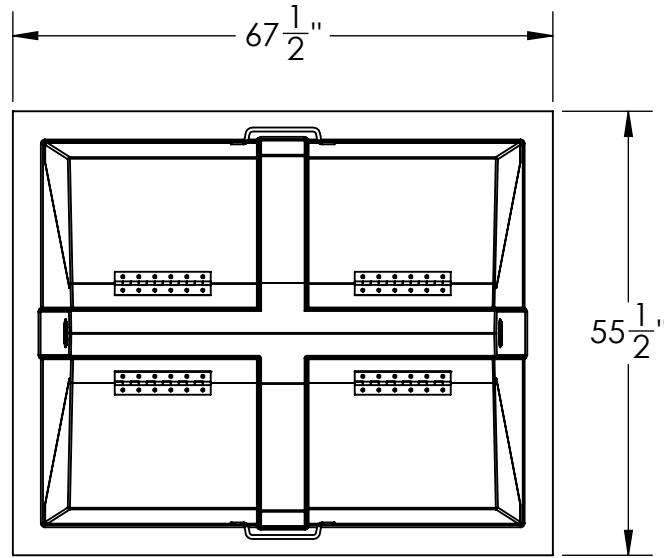
5

4

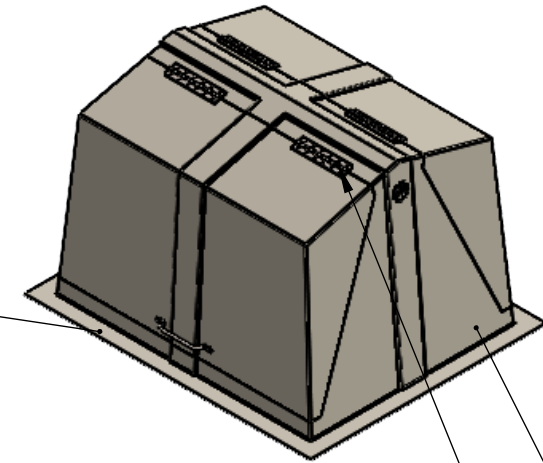
3

2

1



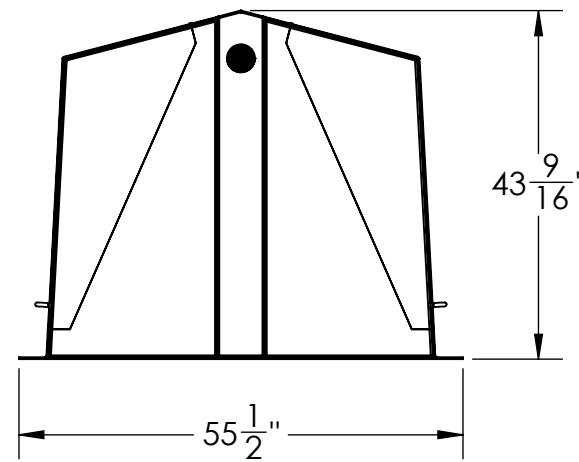
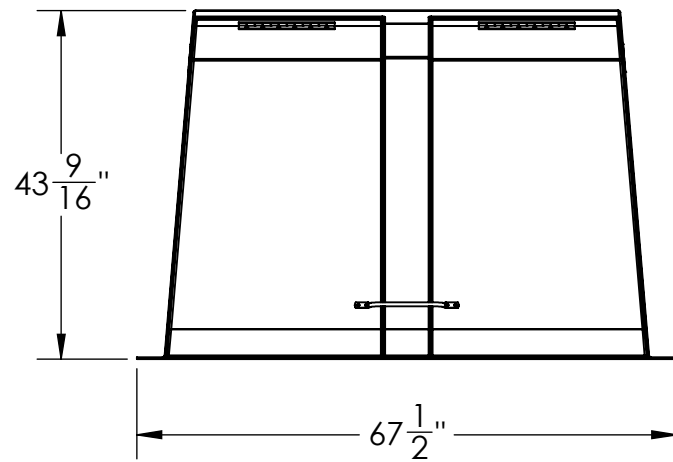
R7 INSULATION VALUE STANDARD.  
HIGHER R VALUES AVAILABLE.



4 INCH EXTERNAL FLANGE

304SS HINGES AND EXTERNAL HARDWARE

20 MIL POLYESTER BEIGE GELCOAT  
STANDARD. OTHER RESIN SYSTEMS AND  
COLORS OPTIONAL.



**OPTIONAL FEATURES:**

- 3/8" THICK INTEGRAL FIBERGLASS FLOOR
- EQUIPMENT MOUNTING BOARD
- 110V 60W INCANDESCENT LIGHT WITH WALL SWITCH
- VENTILATION FAN 60CFM WITH REMOTE THERMOSTAT
- BASEBOARD 500W ELECTRIC HEATER W INTEGRAL THERMOSTAT
- 110/220 V LOAD CENTER W 100A MAIN AND 4X 20A BREAKERS
- 12X12IN WINDOW IN DOOR

CUSTOM CONFIGURATIONS AVAILABLE!

**PROPRIETARY AND CONFIDENTIAL**

THE INFORMATION CONTAINED IN THIS DRAWING IS THE SOLE PROPERTY OF VIRTUAL POLYMER COMPOUNDS. ANY REPRODUCTION IN PART OR AS A WHOLE WITHOUT THE WRITTEN PERMISSION OF VIRTUAL POLYMER COMPOUNDS IS PROHIBITED.

		UNLESS OTHERWISE SPECIFIED:		NAME	DATE
		DIMENSIONS ARE IN INCHES		DRAWN	CD 8/17/2020
		TOLERANCES:		CHECKED	---
		FRACTIONAL ±		ENG APPR.	---
		ANGULAR: MACH ± BEND ±		MFG APPR.	---
		TWO PLACE DECIMAL ±		Q.A.	---
		THREE PLACE DECIMAL ±		COMMENTS:	
		INTERPRET GEOMETRIC TOLERANCING PER:			
		MATERIAL:			
		FINISH:			
NEXT ASSY	USED ON				
APPLICATION		DO NOT SCALE DRAWING			

		Virtual Polymer Compounds VPC Fiberglass vpc@vpcgl.com 11065 1179065 F 118.942.6190 2427 E. 117th St. - Meriden, CT 06455	
TITLE: <b>ENDURO MODEL 400GX FIBERGLASS ENCLOSURE</b>			
SIZE <b>B</b>	DWG. NO. M400GX	REV -	
SCALE:	WEIGHT:	SHEET 1 OF 3	

8

7

6

5

4

3

2

1

F

E

D

C

B

A

F

E

D

C

B

A

8

7

6

5

4

3

2

1

F

F

E

E

D

D

C

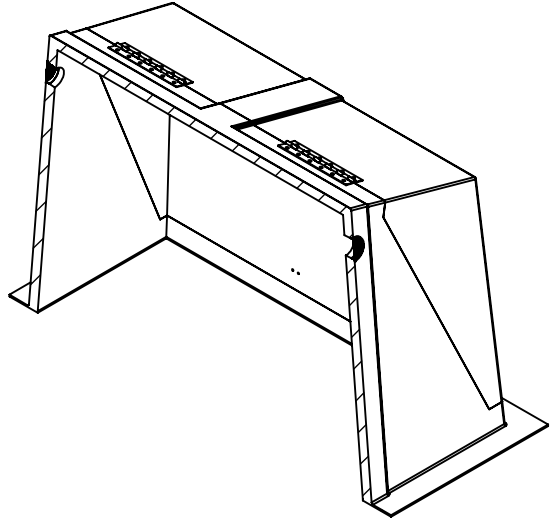
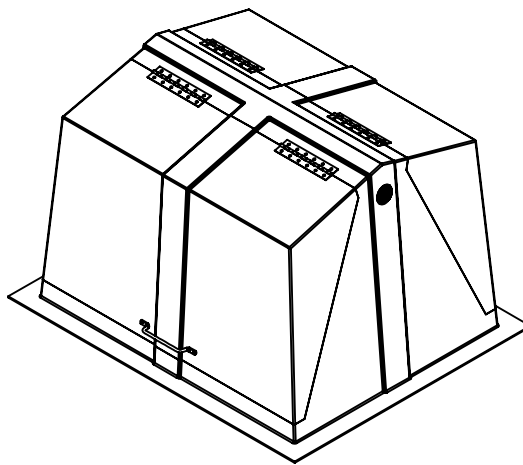
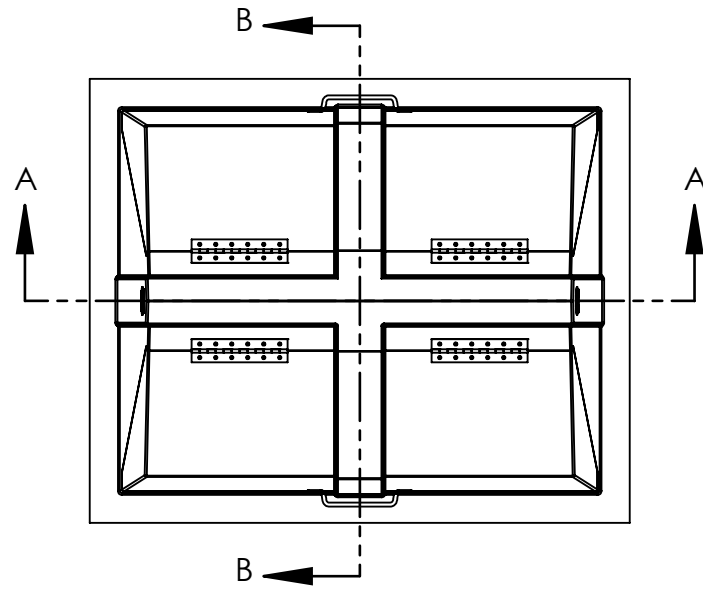
C

B

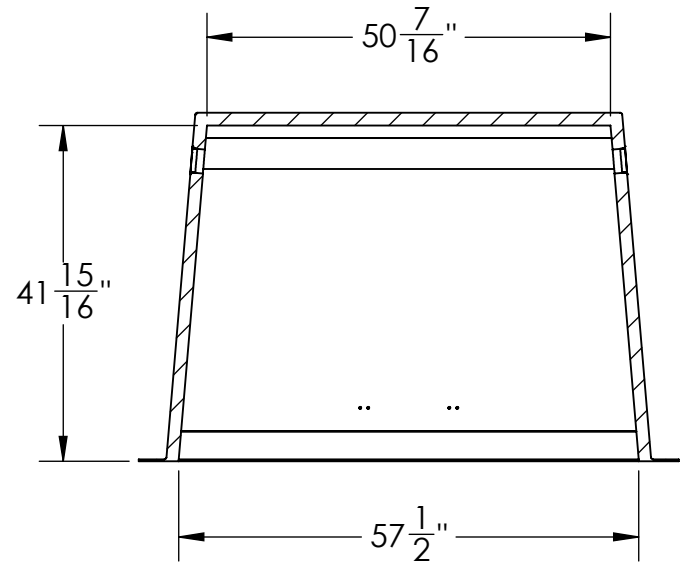
B

A

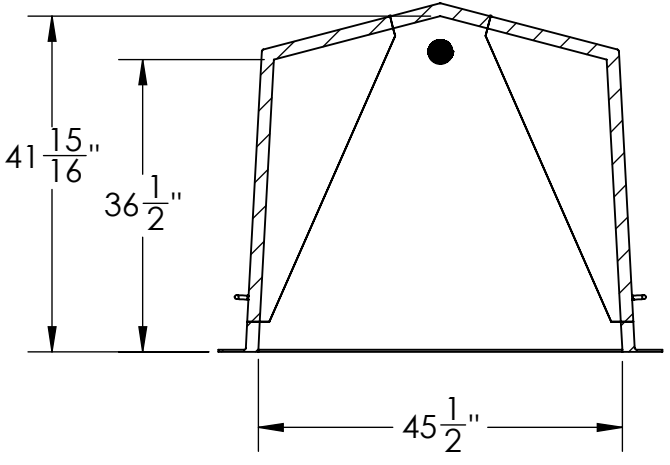
A



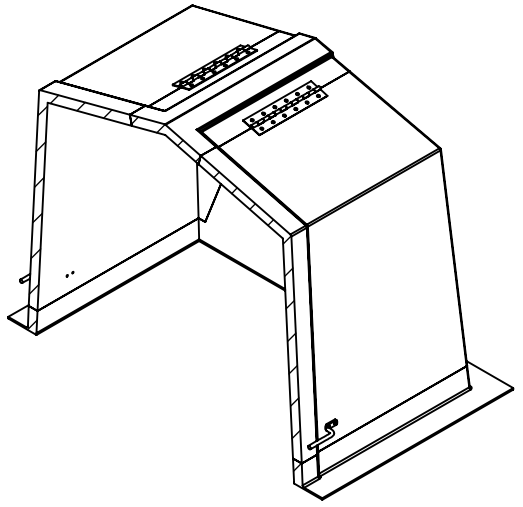
SECTION A-A



SECTION A-A



SECTION B-B



SECTION B-B

**PROPRIETARY AND CONFIDENTIAL**  
 THE INFORMATION CONTAINED IN THIS DRAWING IS THE SOLE PROPERTY OF VIRTUAL POLYMER COMPOUNDS. ANY REPRODUCTION IN PART OR AS A WHOLE WITHOUT THE WRITTEN PERMISSION OF VIRTUAL POLYMER COMPOUNDS IS PROHIBITED.

		UNLESS OTHERWISE SPECIFIED:		NAME	DATE
		DIMENSIONS ARE IN INCHES		DRAWN	CD 8/17/2020
		TOLERANCES:		CHECKED	---
		FRACTIONAL: $\pm$		ENG APPR.	---
		ANGULAR: MACH $\pm$ BEND $\pm$		MFG APPR.	---
		TWO PLACE DECIMAL $\pm$		Q.A.	---
		THREE PLACE DECIMAL $\pm$		COMMENTS:	
		INTERPRET GEOMETRIC TOLERANCING PER:			
		MATERIAL:			
		FINISH:			
NEXT ASSY	USED ON				
APPLICATION		DO NOT SCALE DRAWING			

**VPC FIBERGLASS** Virtual Polymer Compounds VPC Fiberglass  
 vpcfiberglass.com 1 800.712.9065 F 216.542.6190  
 2427 E. 11th St. Wichita, KS 67214

TITLE:  
**ENDURO MODEL 400GX FIBERGLASS ENCLOSURE**

SIZE	DWG. NO.	REV
<b>B</b>	M400GX	-

SCALE: WEIGHT: SHEET 2 OF 3

8

7

6

5

4

3

2

1

8

7

6

5

4

3

2

1

F

F

E

E

D

D

C

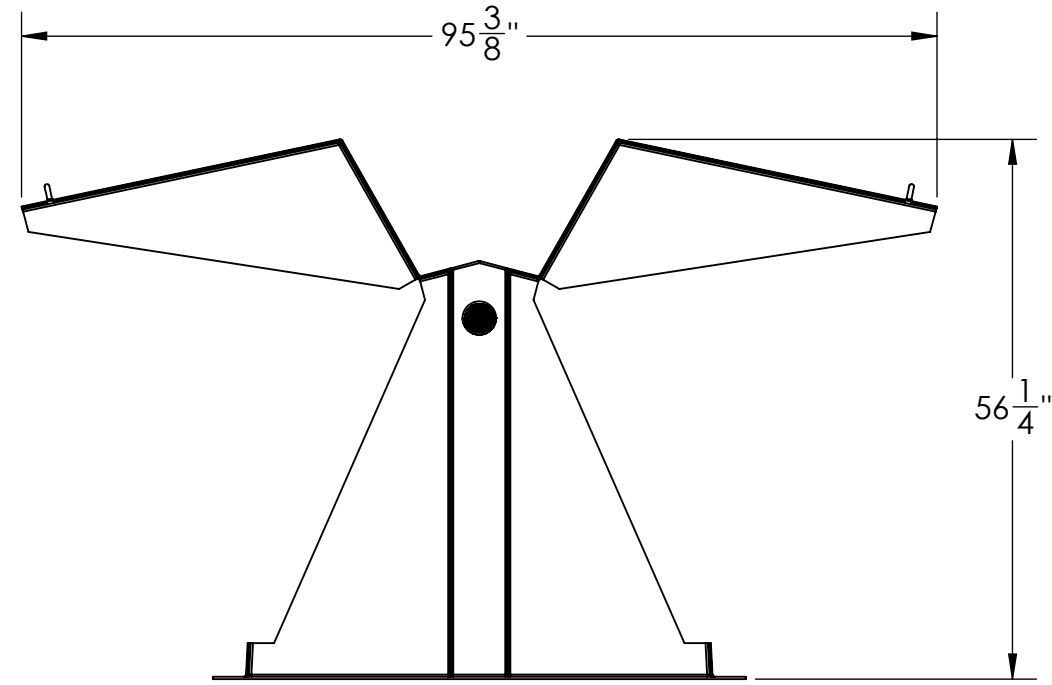
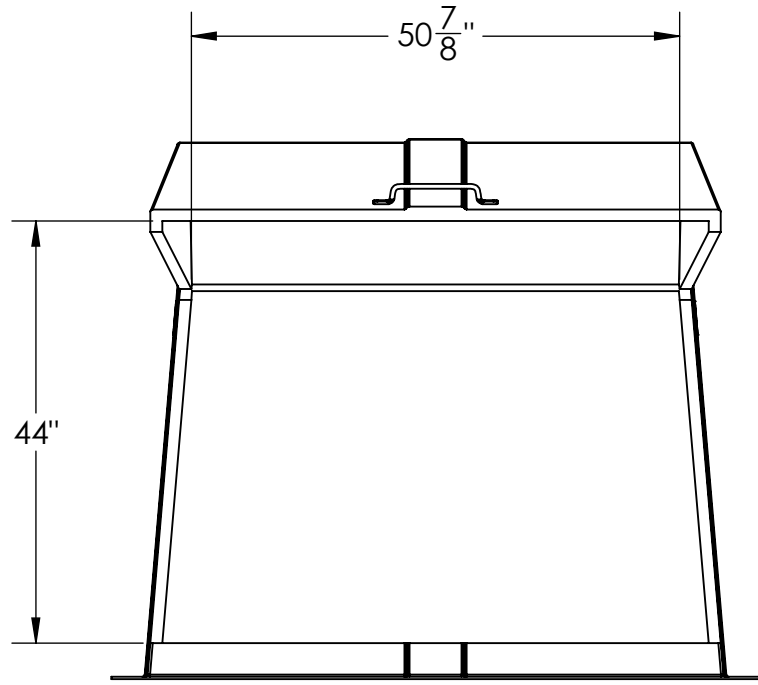
C

B

B

A

A



**PROPRIETARY AND CONFIDENTIAL**  
 THE INFORMATION CONTAINED IN THIS DRAWING IS THE SOLE PROPERTY OF VIRTUAL POLYMER COMPOUNDS. ANY REPRODUCTION IN PART OR AS A WHOLE WITHOUT THE WRITTEN PERMISSION OF VIRTUAL POLYMER COMPOUNDS IS PROHIBITED.

		UNLESS OTHERWISE SPECIFIED:	NAME	DATE
		DIMENSIONS ARE IN INCHES	DRAWN	CD 8/17/2020
		TOLERANCES:	CHECKED	---
		FRACTIONAL ±	ENG APPR.	---
		ANGULAR: MACH ± BEND ±	MFG APPR.	---
		TWO PLACE DECIMAL ±	Q.A.	---
		THREE PLACE DECIMAL ±	COMMENTS:	
		INTERPRET GEOMETRIC TOLERANCING PER:		
		MATERIAL:		
		FINISH:		
NEXT ASSY	USED ON			
APPLICATION		DO NOT SCALE DRAWING		

**VPC FIBERGLASS** Virtual Polymer Compounds VPC Fiberglass  
 vpcfiberglass.com 1 800.712.9065 F 216.542.6190  
 2427 E. 117th St. - West Des Moines, IA 50265

TITLE:  
**ENDURO MODEL 400GX FIBERGLASS ENCLOSURE**

SIZE	DWG. NO.	REV
<b>B</b>	M400GX	-

SCALE: WEIGHT: SHEET 3 OF 3

8

7

6

5

4

3

2

1